

A

B

C

A

B

C

D

D

AD/BOARD		MODEL	L1043		<b>泓瑜科技有限公司</b> <b>WINSONIC TECH. CO., LTD.</b>			
INVERTER		PART NO.						
KEY PAD		MATERIAL	SECC	DATE	10/31/2008	APPROVED	DRAWN	JACK
PANEL:								

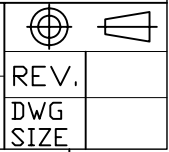
1

2

3

4

5



1

2

3

4

5

A

A

B

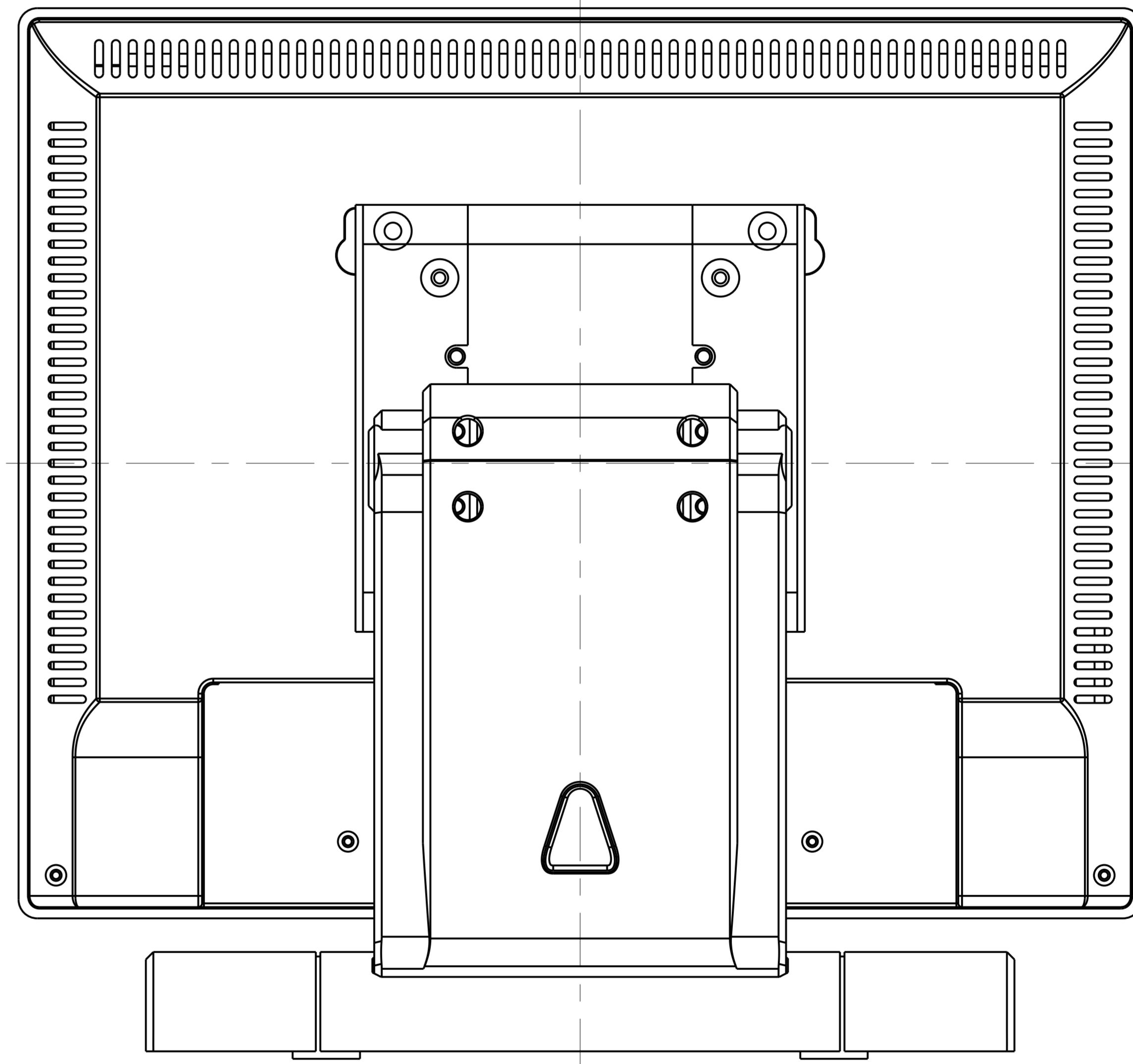
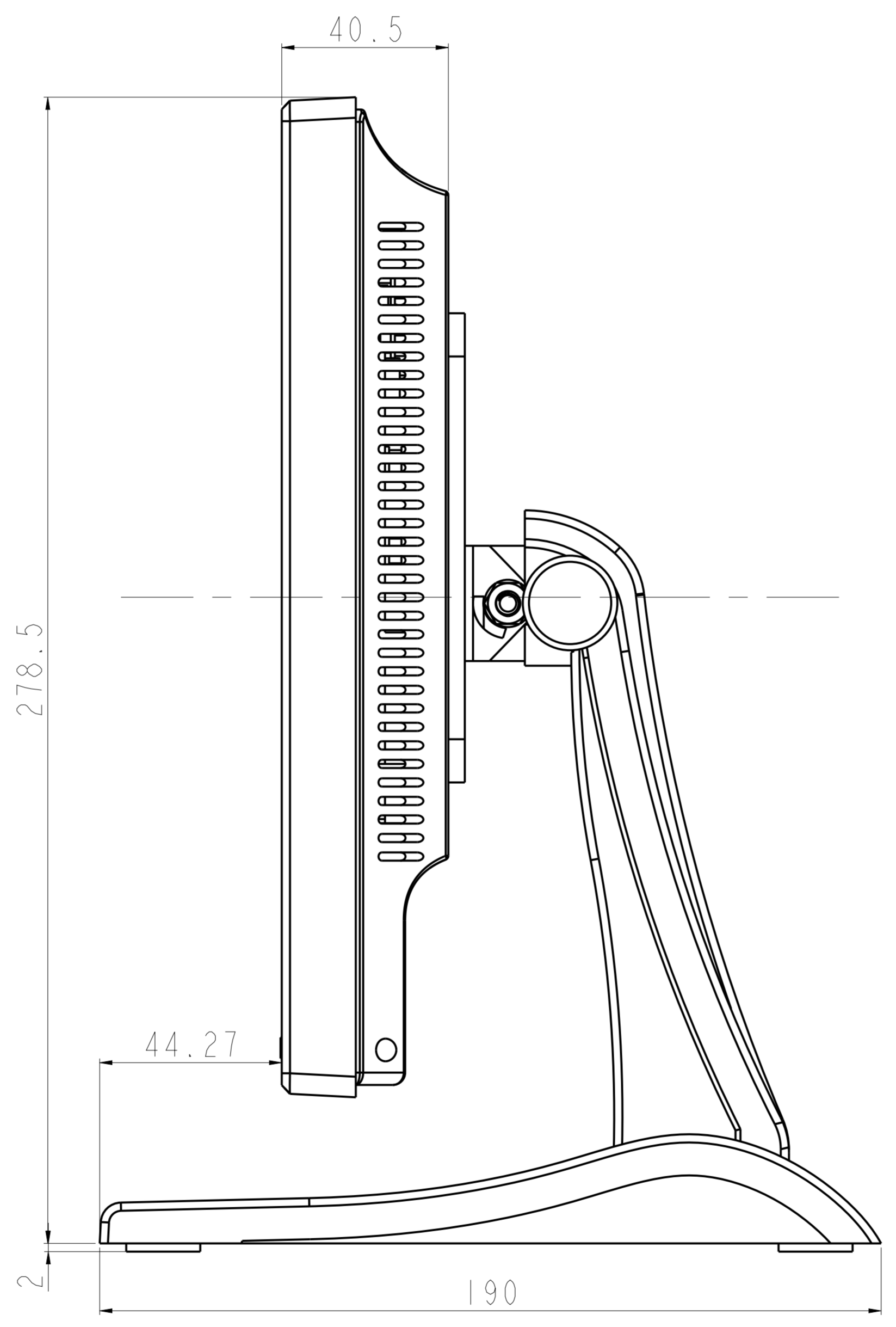
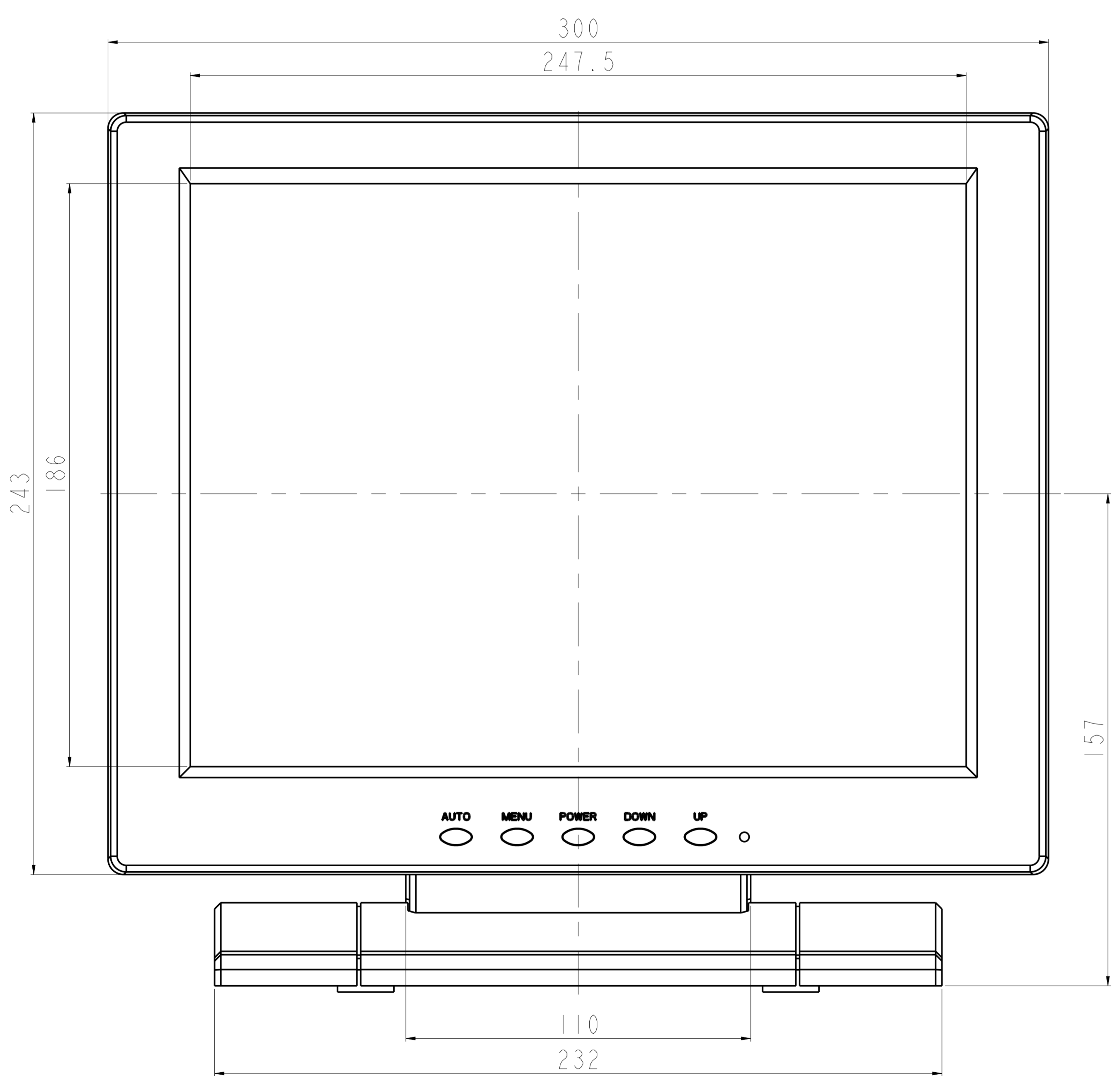
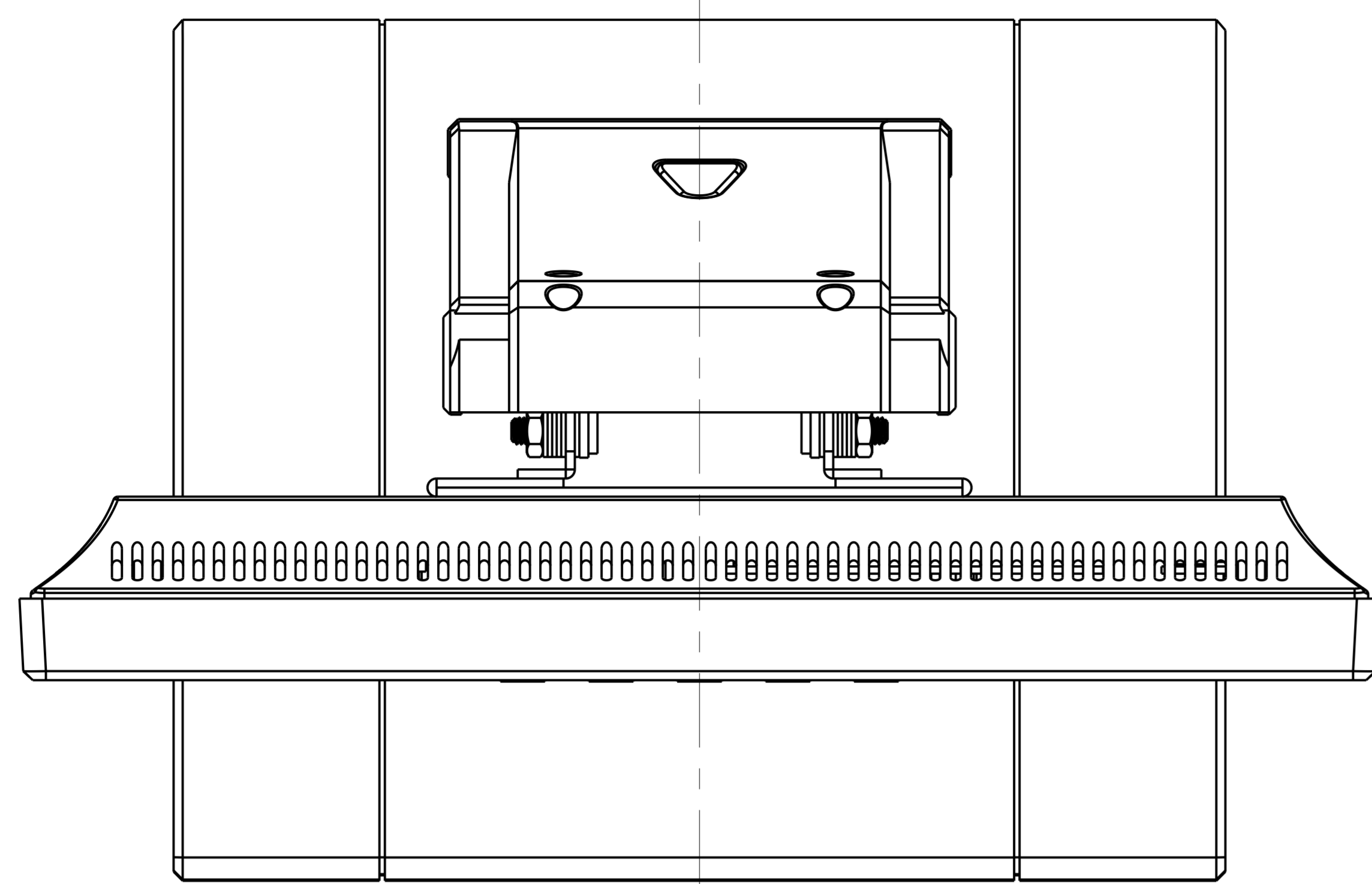
B

C

C

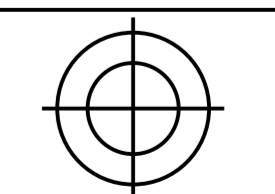
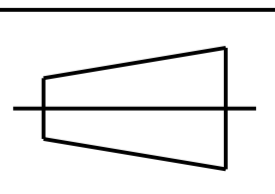
D

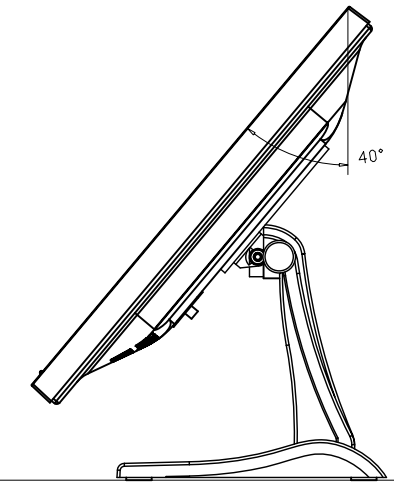
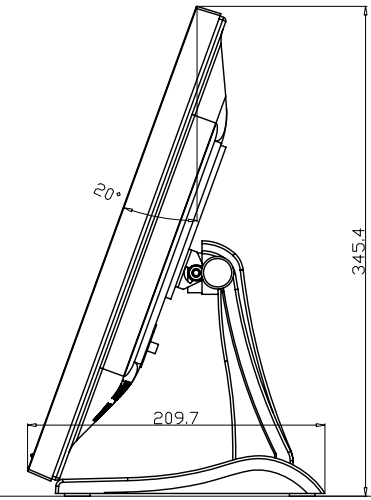
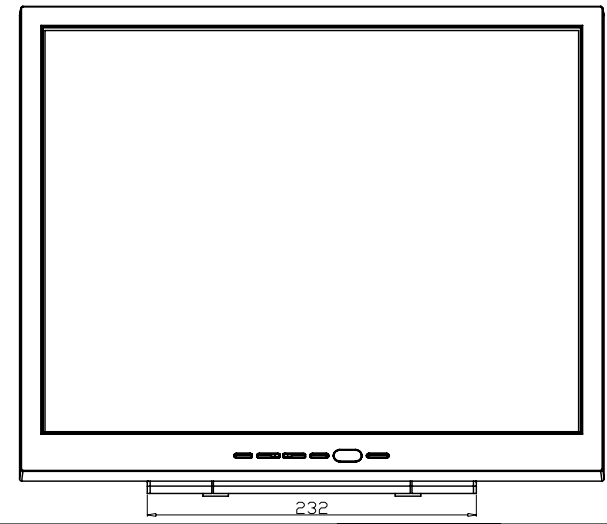
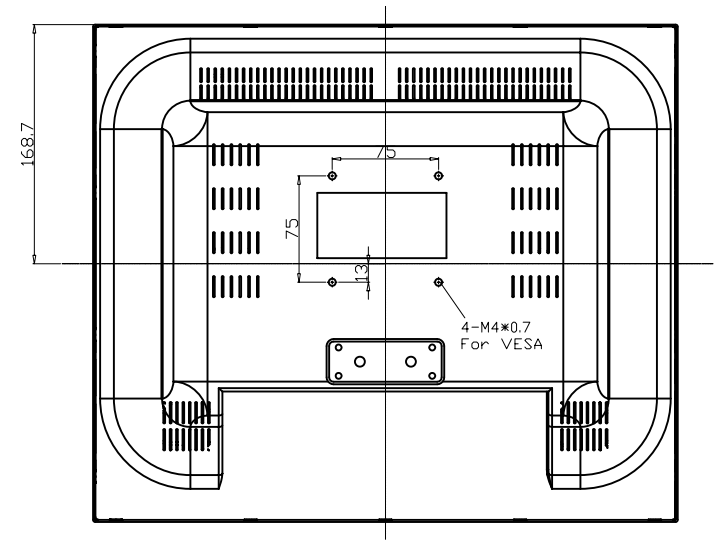
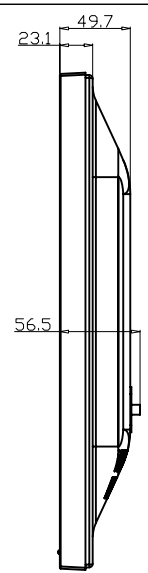
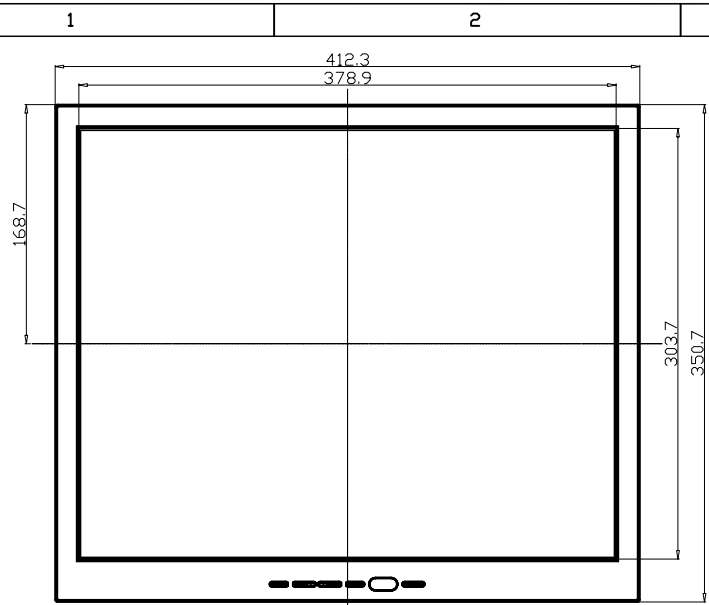
D



AD/BOARD	
INVERTER	
KEY PAD	
PANEL :	VERSION
	V1

MODEL	L1213		
MATERIAL	METAL	DATE	2013-Oct-02

<b>Winsonic Electronics. Co., Ltd.</b>			
PART NAME	ASSEMBLY		 
APPROVED	DRAWN	Chris	SCALE 1.000
			UNIT MM



AD/BOARD		MODEL		L1983		泓瑜科技有限公司 WINSONIC TECH. CO., LTD.				
INVERTER		PART NO.								PART NAME
KEY PAD		MATERIAL		SECC		DATE		10/29/2008		
PANEL:						APPROVED		DRAWN JACK		
										DWG
										SIZE