

AD/BOARD		MODEL	PM0843			Winsonic Electronics. Co., Ltd.				
INVERTER										
KEY PAD										
PANEL :	VERSION	MATERIAL	METAL	DATE	2013-May-30	PART NAME	ASSEMBLY		SCALE	1.000
	D									

A

B

C

D

A

B

C

D

1

2

3

4

5

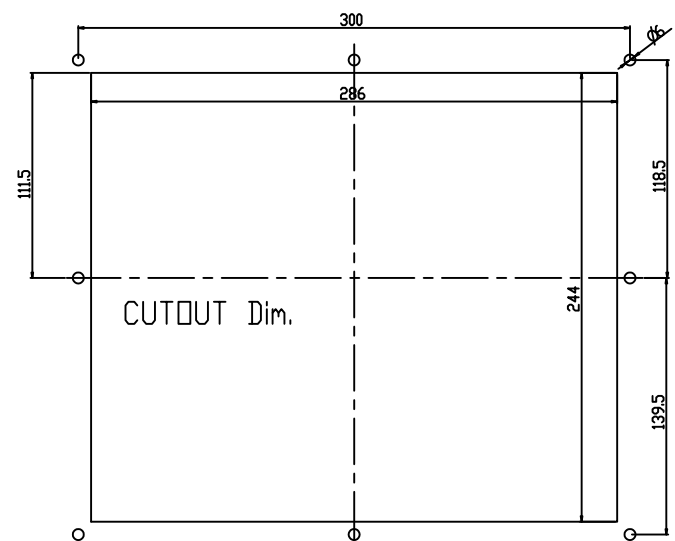
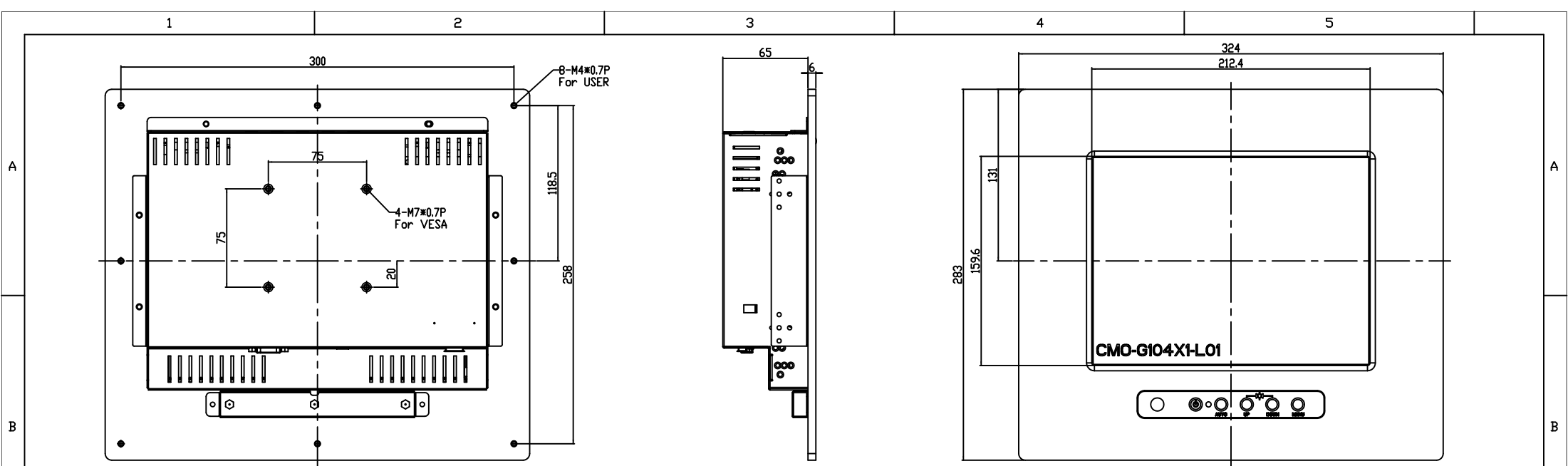
1

2

3

4

5



AD/BOARD		MODEL		PM1043		泓瑜科技有限公司 WINSONIC TECH. CO., LTD.					
INVERTER		PART NO.								PART NAME	
KEY PAD		MATERIAL		DATE		APPROVED		DRAWN			
PANEL:										METAL	
								UNIT		MM	

1 2 3 4 5

A

B

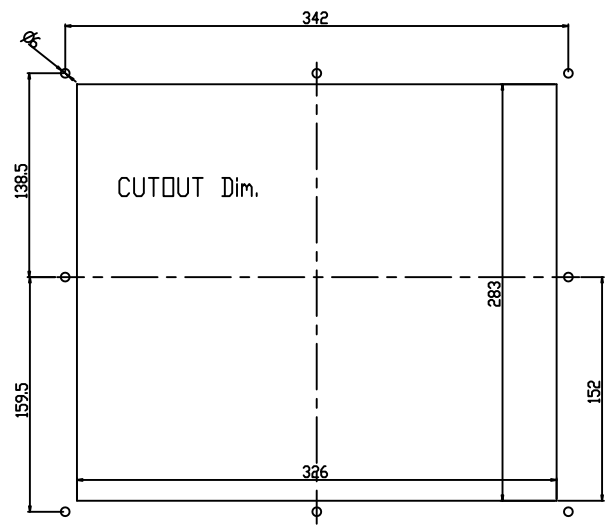
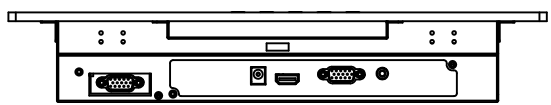
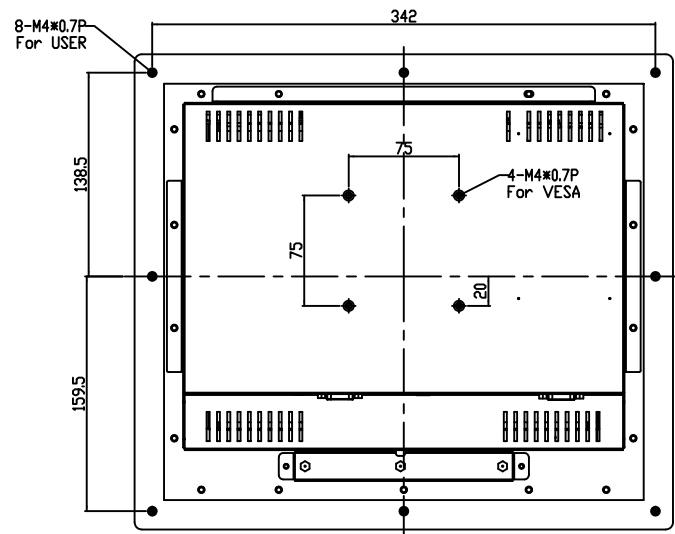
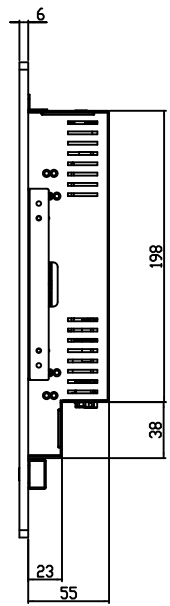
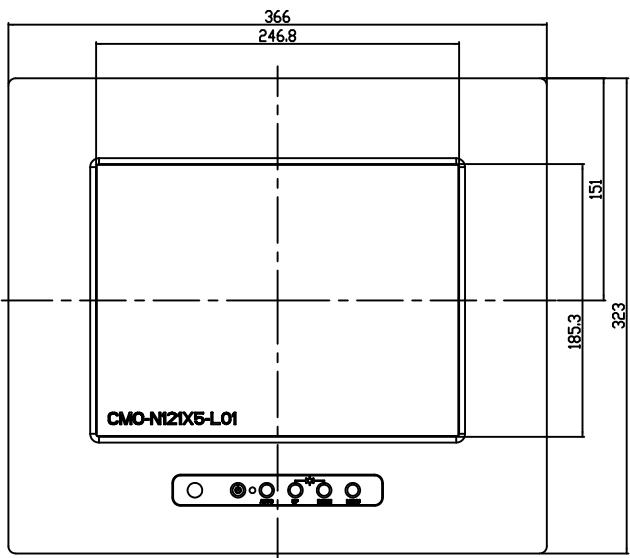
C

A

B

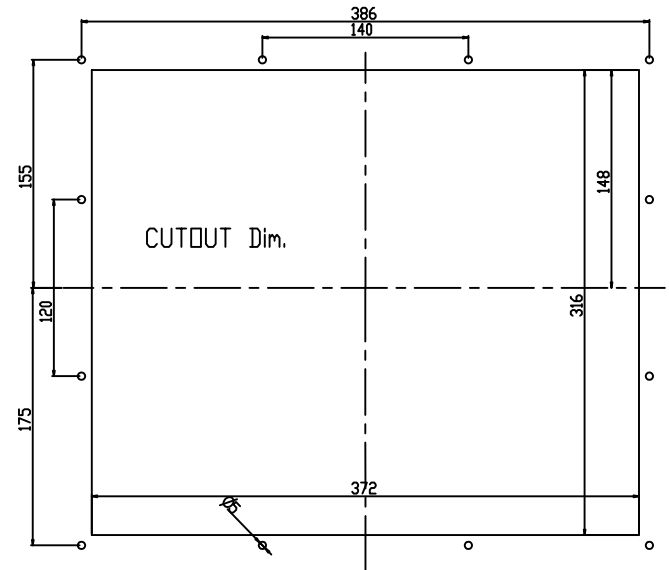
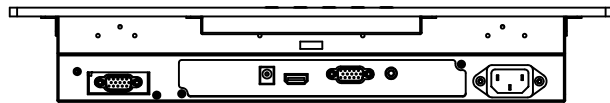
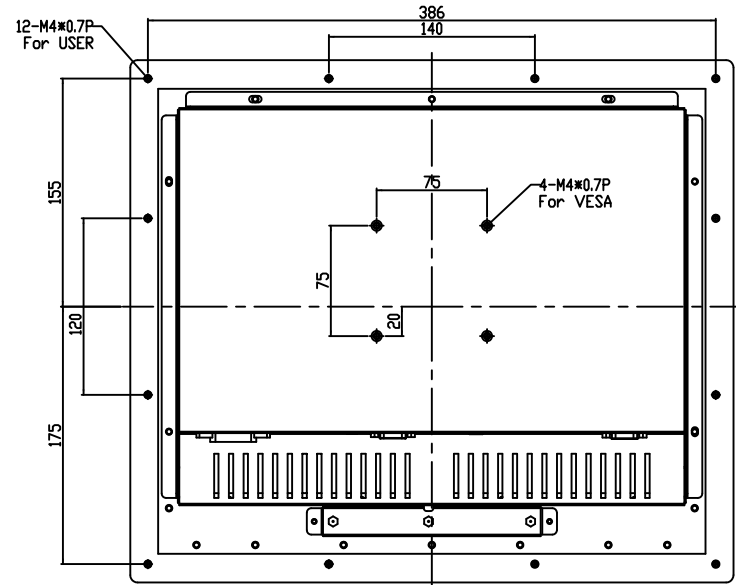
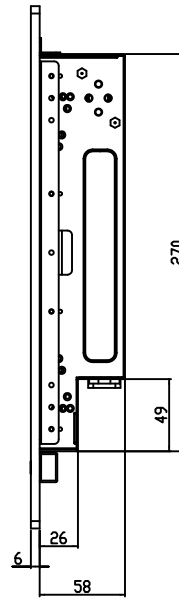
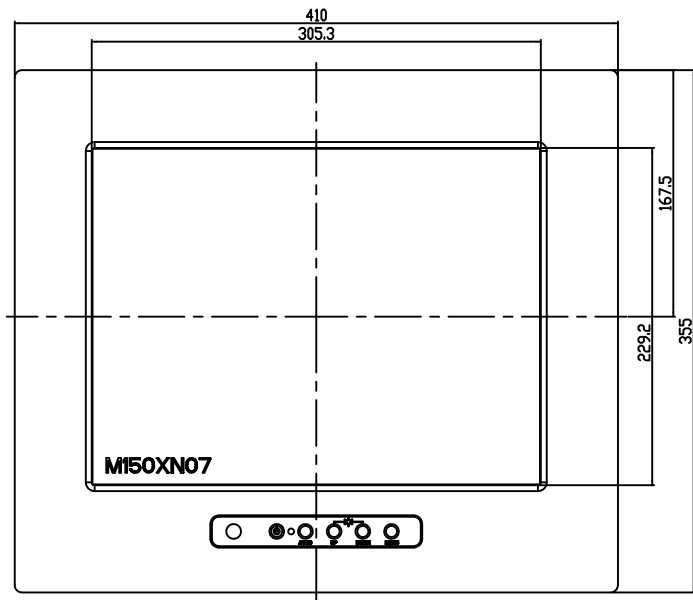
C

D



AD/BOARD		MODEL	PM1203		泓瑜科技有限公司 WINSONIC TECH. CO., LTD.				
INVERTER		PART NO.							PART NAME
KEY PAD		MATERIAL	METAL	DATE	2011-Sep-21	APPROVED	DRAWN	SCALE	0.800
PANEL:								UNIT	MM

1 2 3 4 5



AD/BOARD		MODEL	PM1503		泓瑜科技有限公司 WINSONIC TECH. CO., LTD.						
INVERTER		PART NO.							PART NAME	ASSEMBLY	
KEY PAD		MATERIAL	METAL	DATE	2011-Sep-09	APPROVED		DRAWN	Jack	SCALE	0.800
PANEL:										UNIT	MM

A

B

C

D

A

B

C

D

1

2

3

4

5

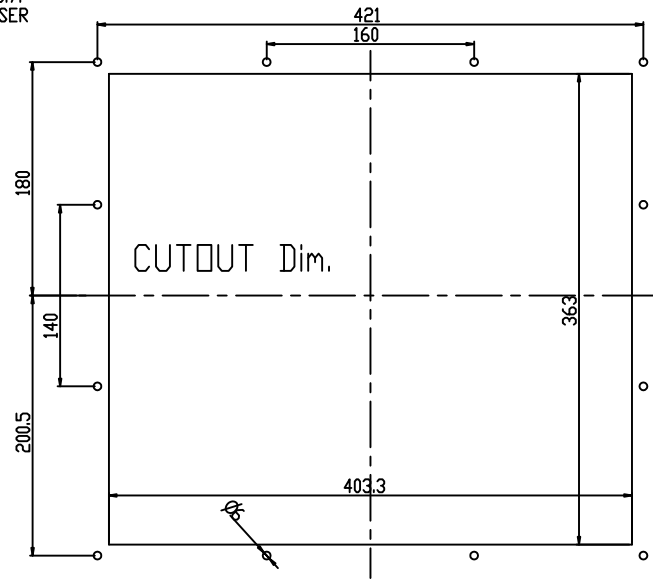
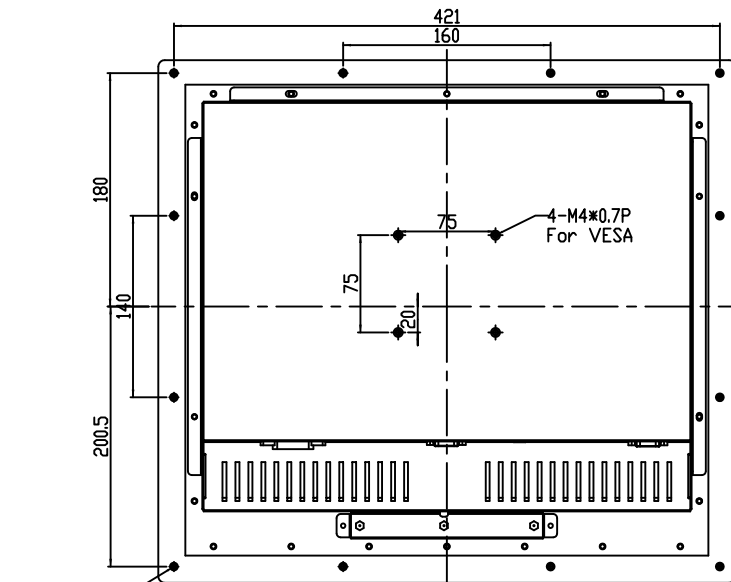
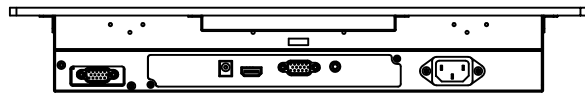
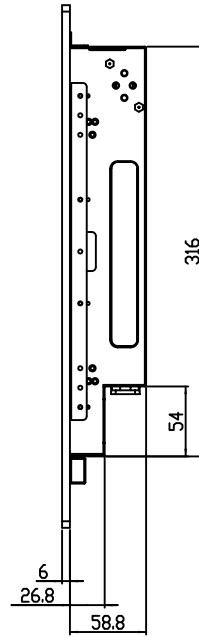
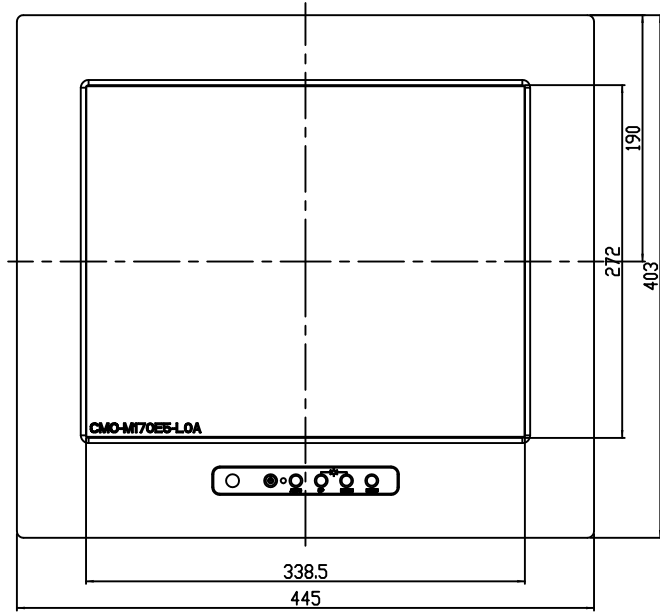
1

2

3

4

5



AD/BOARD		MODEL	PM1703	泓瑜科技有限公司 WINSONIC TECH. CO., LTD.					
INVERTER		PART NO.						PART NAME	ASSEMBLY
KEY PAD		MATERIAL	SECC	DATE	2011-Sep-09	APPROVED		SCALE	0.500
PANEL						DRAWN	Jack	UNIT	MM

1

2

3

4

5

A

B

C

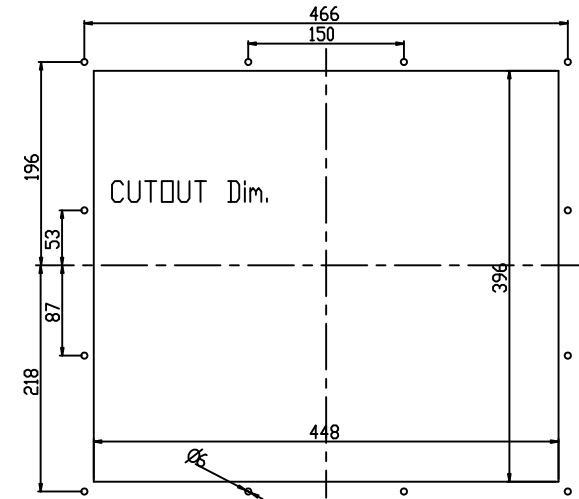
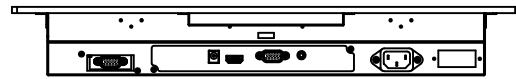
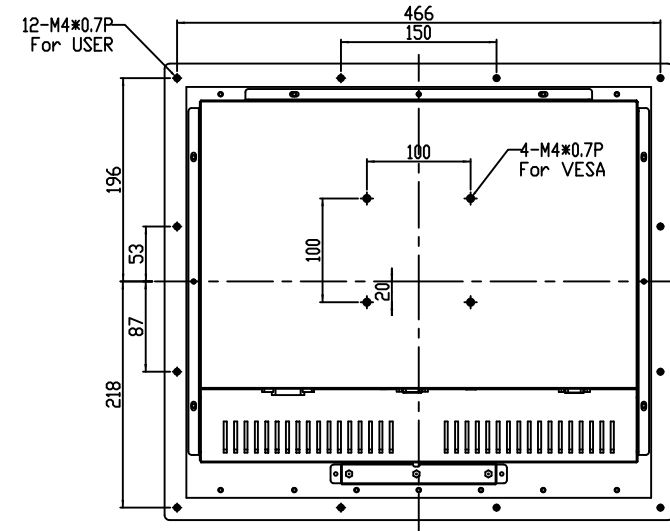
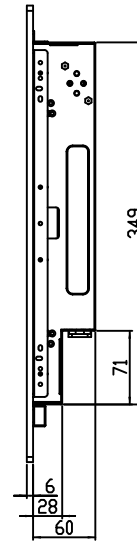
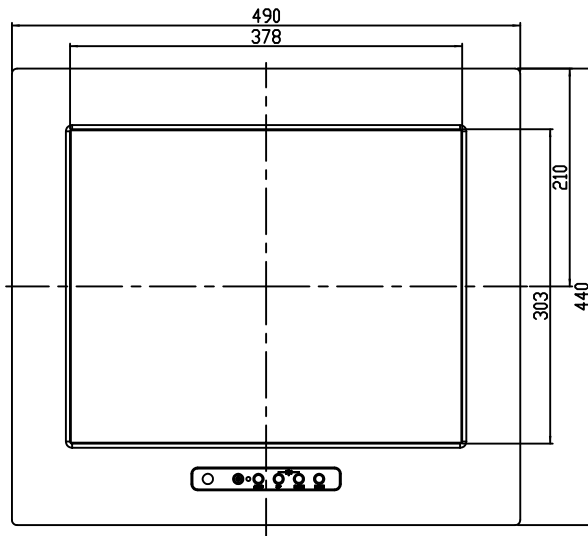
D

A

B

C

D



AD/BOARD		MODEL	PM1903	泓瑜科技有限公司 WINSONIC TECH. CO., LTD.			
INVERTER		PART NO.		PART NAME	METAL	SCALE	0.400
KEY PAD		MATERIAL	METAL	DATE	2011-Sep-09	APPROVED	
PANEL						DRAWN	Jack
						UNIT	MM

1

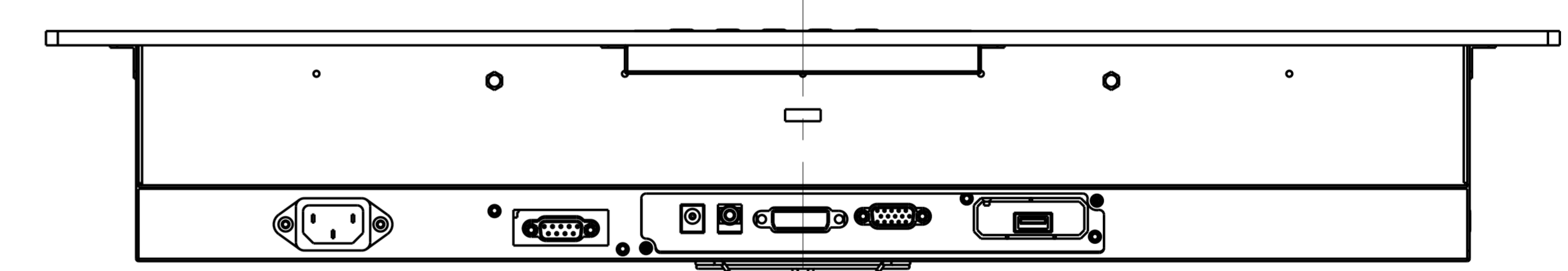
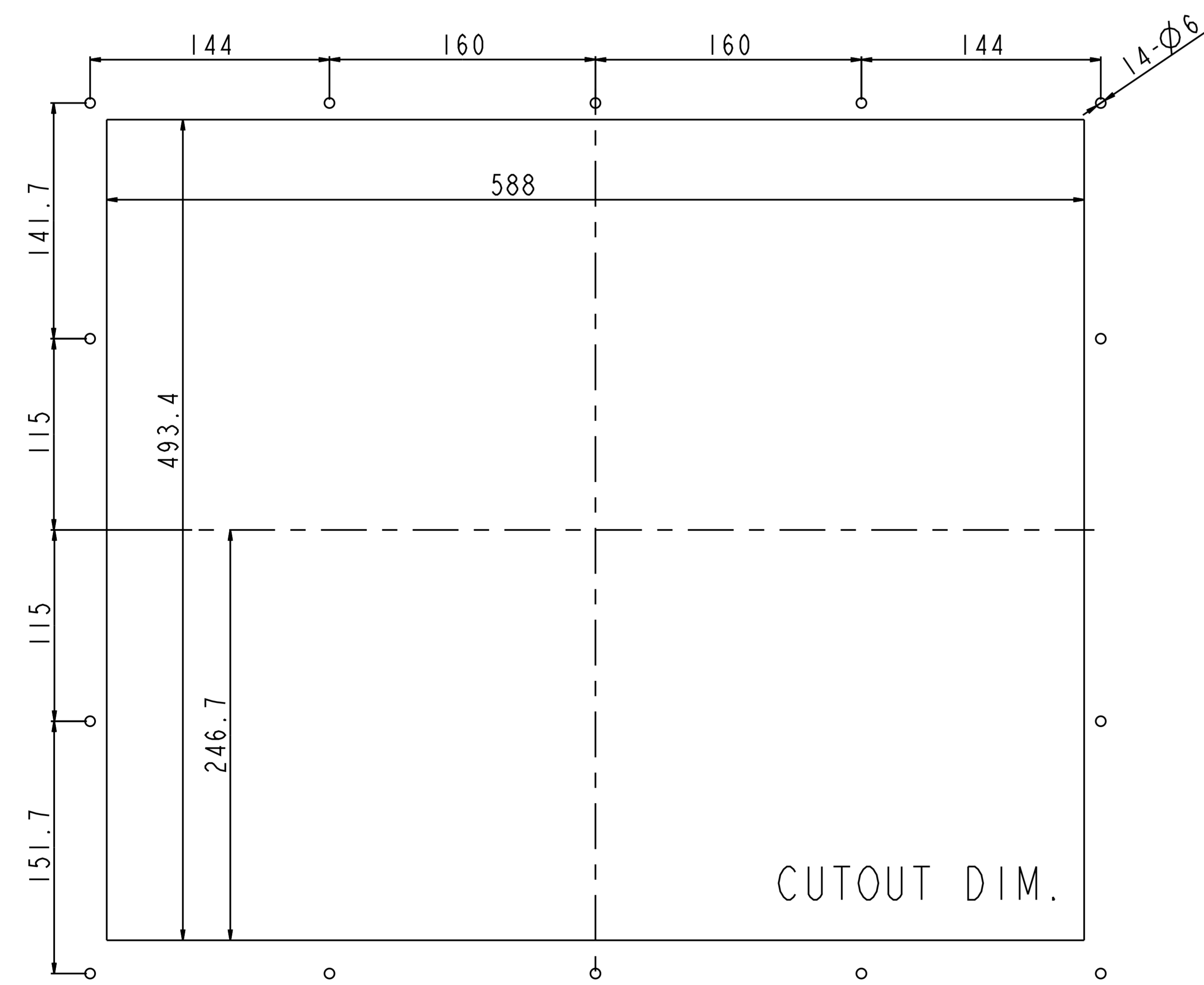
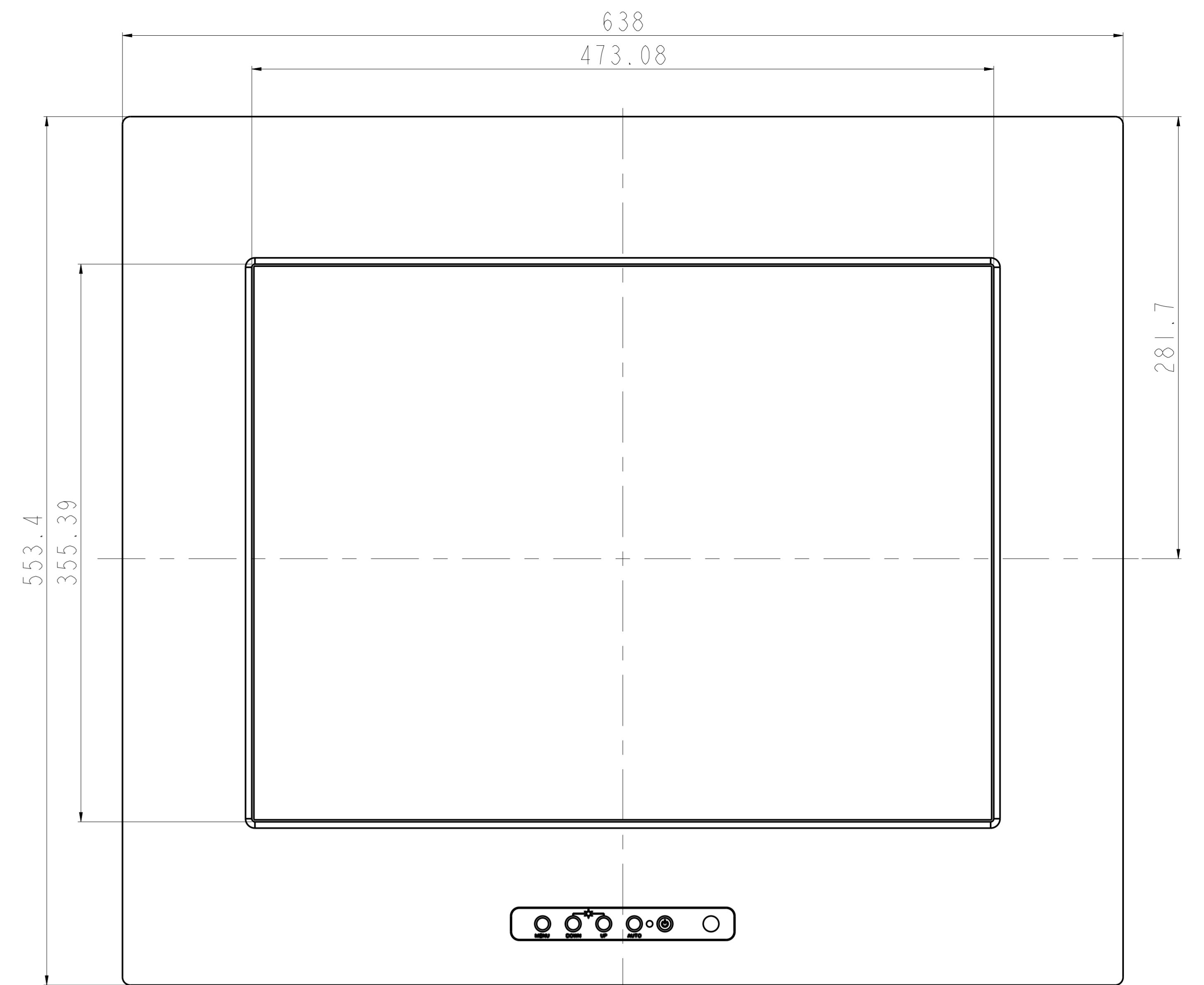
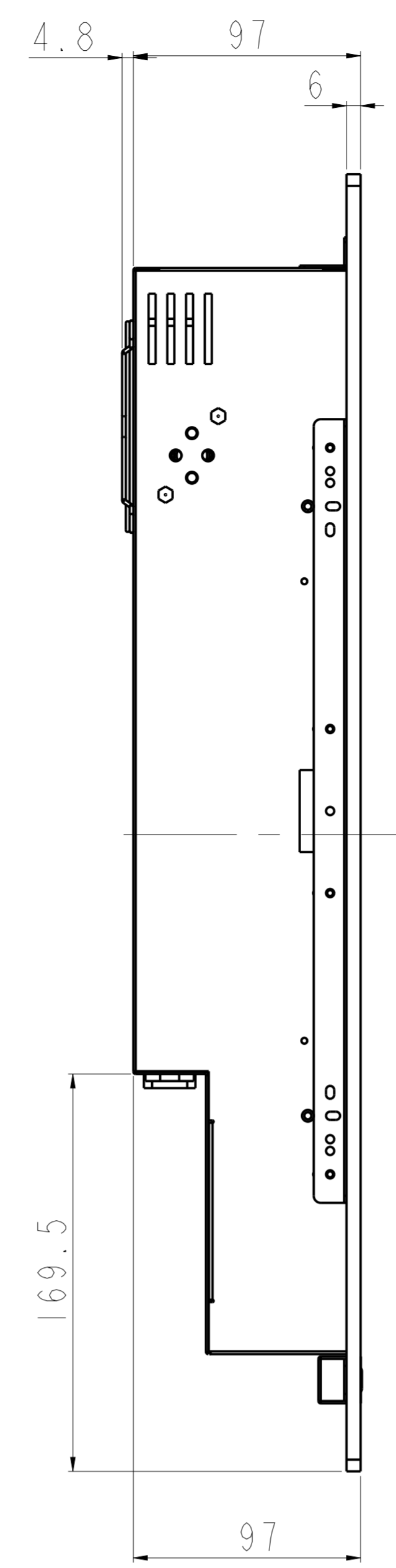
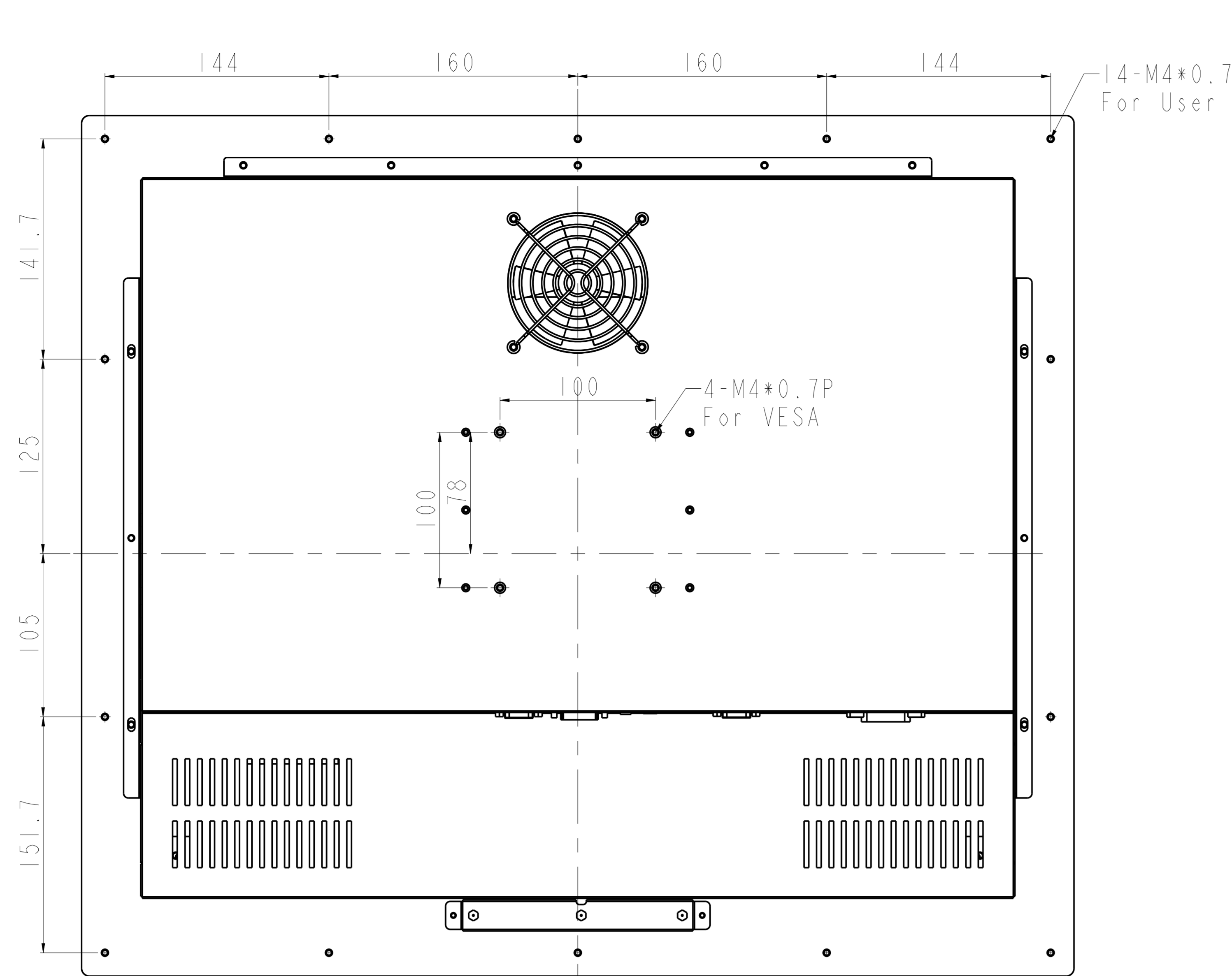
2

3

4

5





AD/BOARD	
INVERTER	
KEY PAD	
PANEL :	VERSION
	V1

MODEL	PM2313		
MATERIAL	METAL	DATE	2013-Dec-05

<b>Winsonic Electronics. Co., Ltd.</b>			
PART NAME	ASSEMBLY		
APPROVED	DRAWN	Chris	SCALE 0.500
			UNIT MM