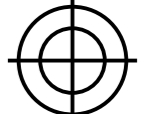
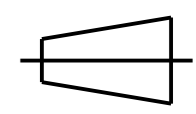
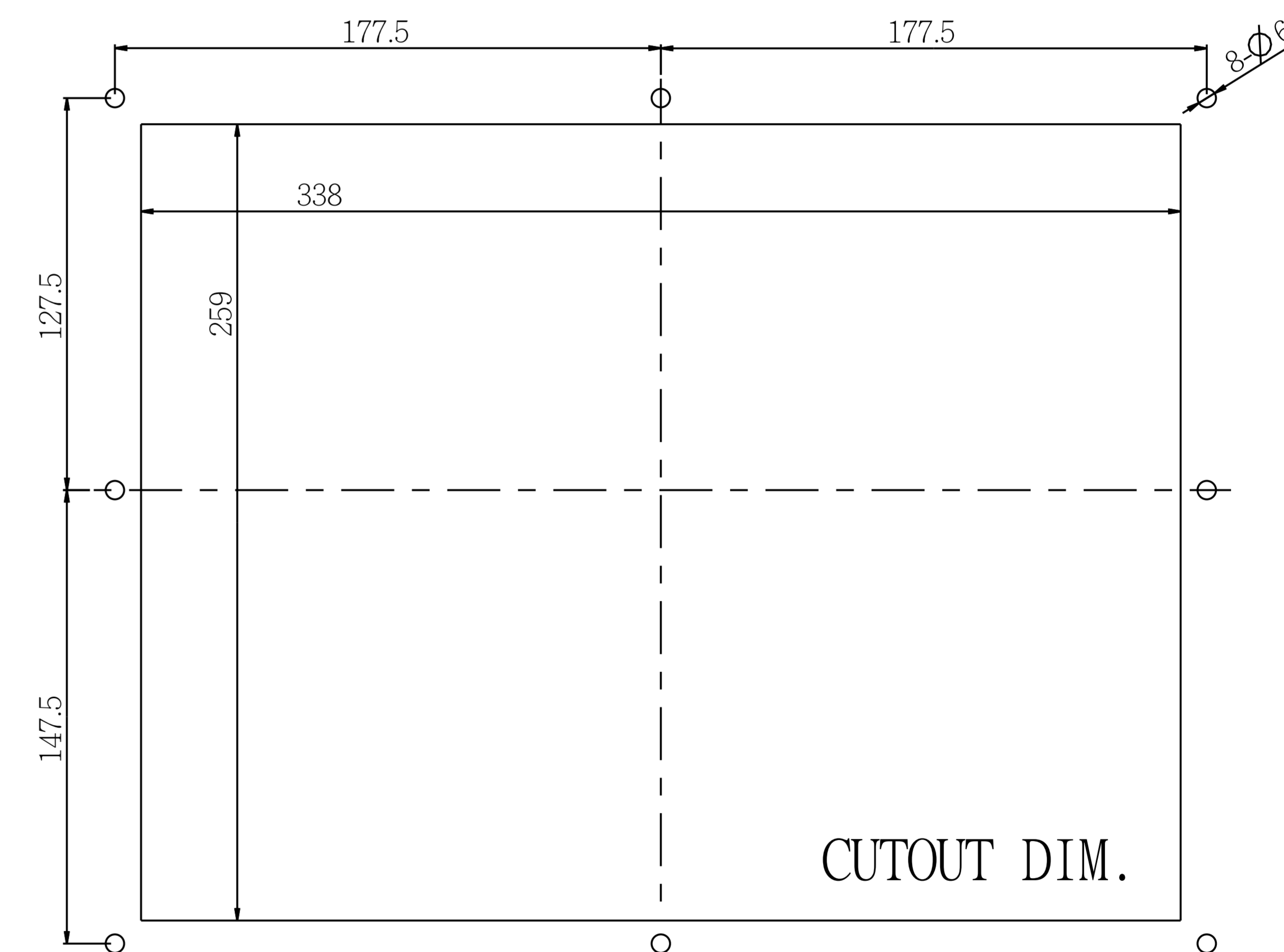
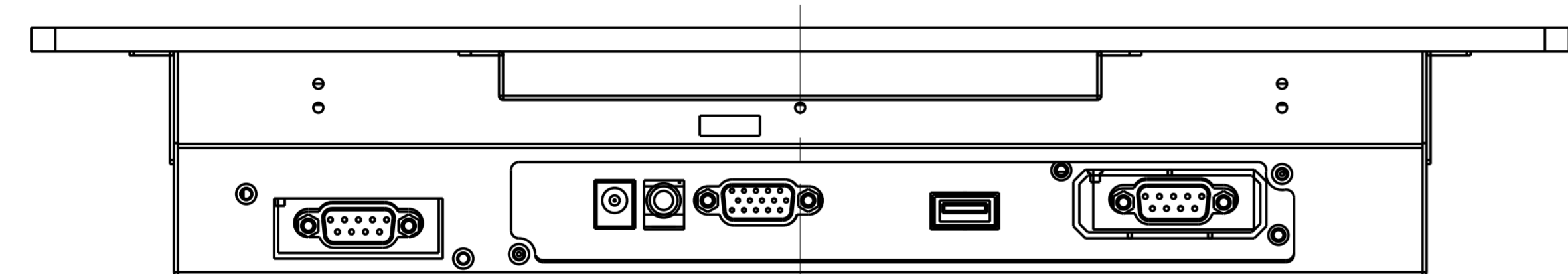
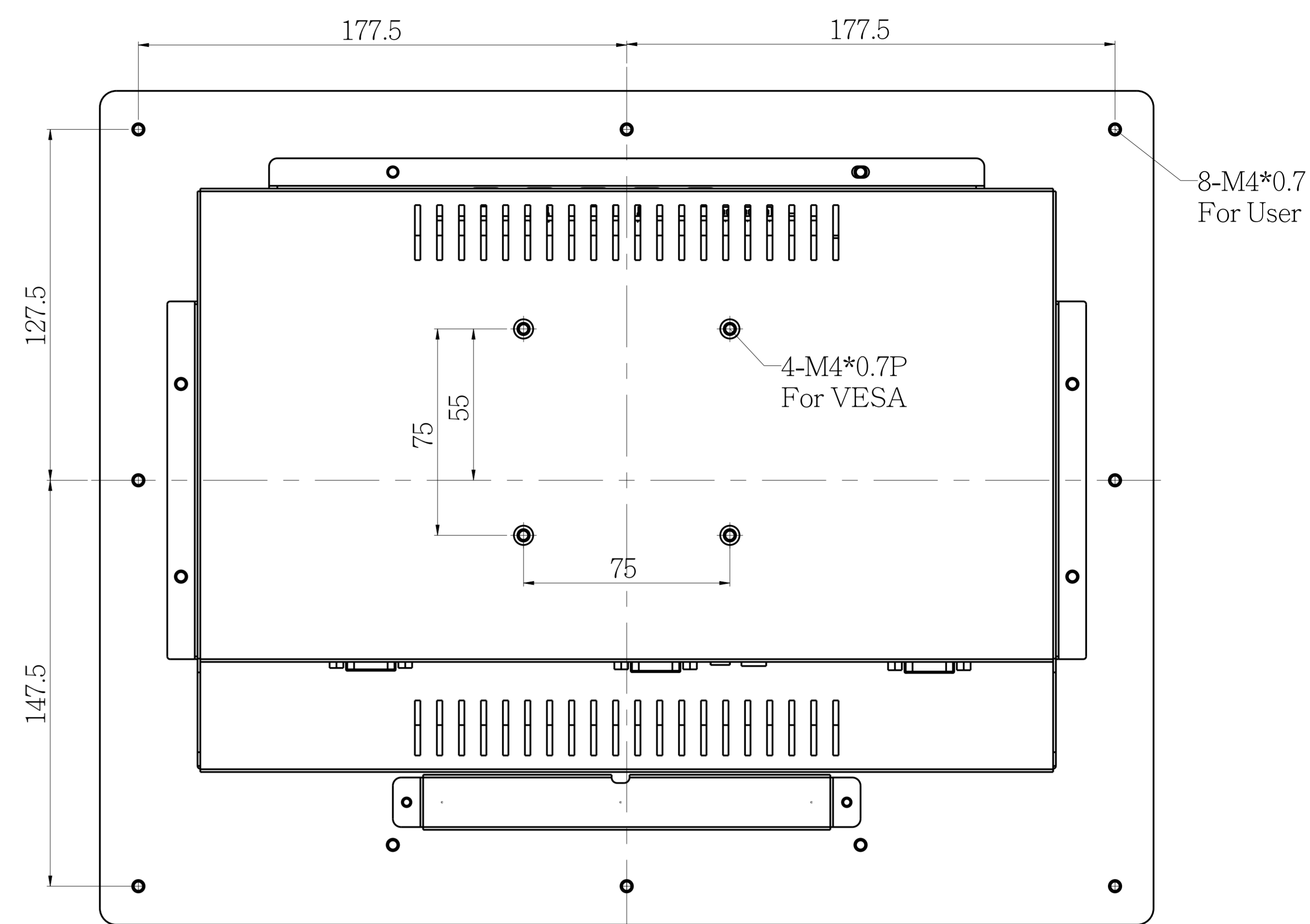
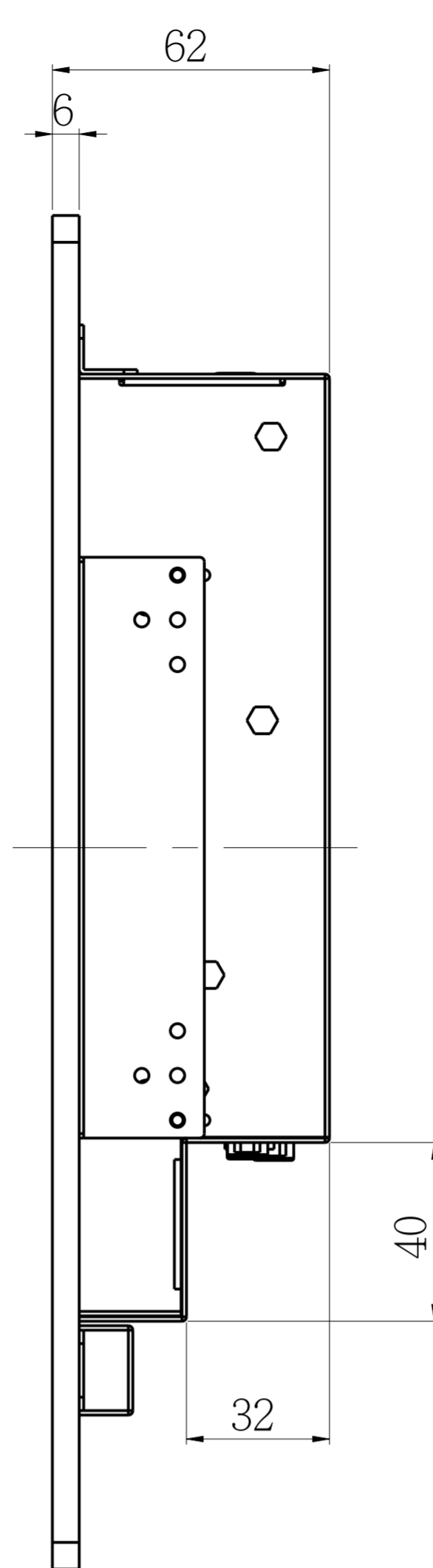
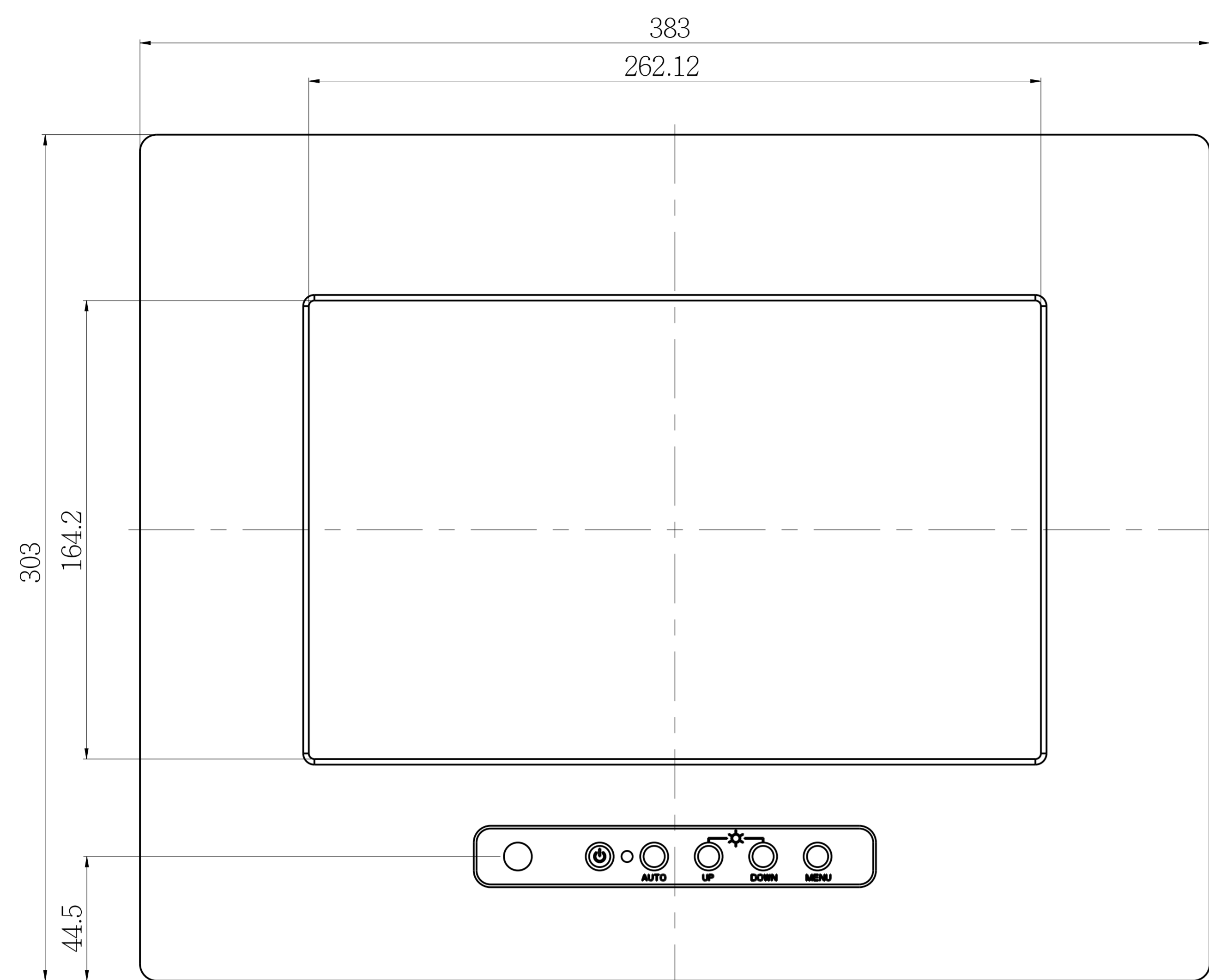


AD/BOARD	
INVERTER	
KEY PAD	
PANEL :	VERSION
	V1

MODEL	PM1013-6		
MATERIAL	METAL	DATE	2012-Jul-20

Winsonic Electronics. Co., Ltd.			
PART NAME	ASSEMBLY		 
APPROVED	DRAWN	Chris	SCALE 0.800
			UNIT MM



AD/BOARD		MODEL	PM12W3			泓瑜科技有限公司 WINSONIC TECH. CO., LTD.				
INVERTER										
KEY PAD										
PANEL:	VERSION	MATERIAL	METAL	DATE	2012-Apr-17	PART NAME	ASSEMBLY			
	V1							APPROVED	DRAWN	Chris
									UNIT	MM

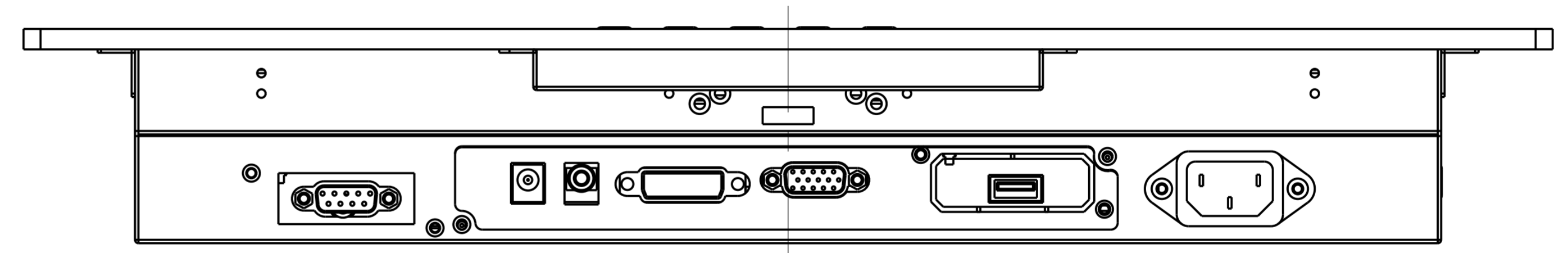
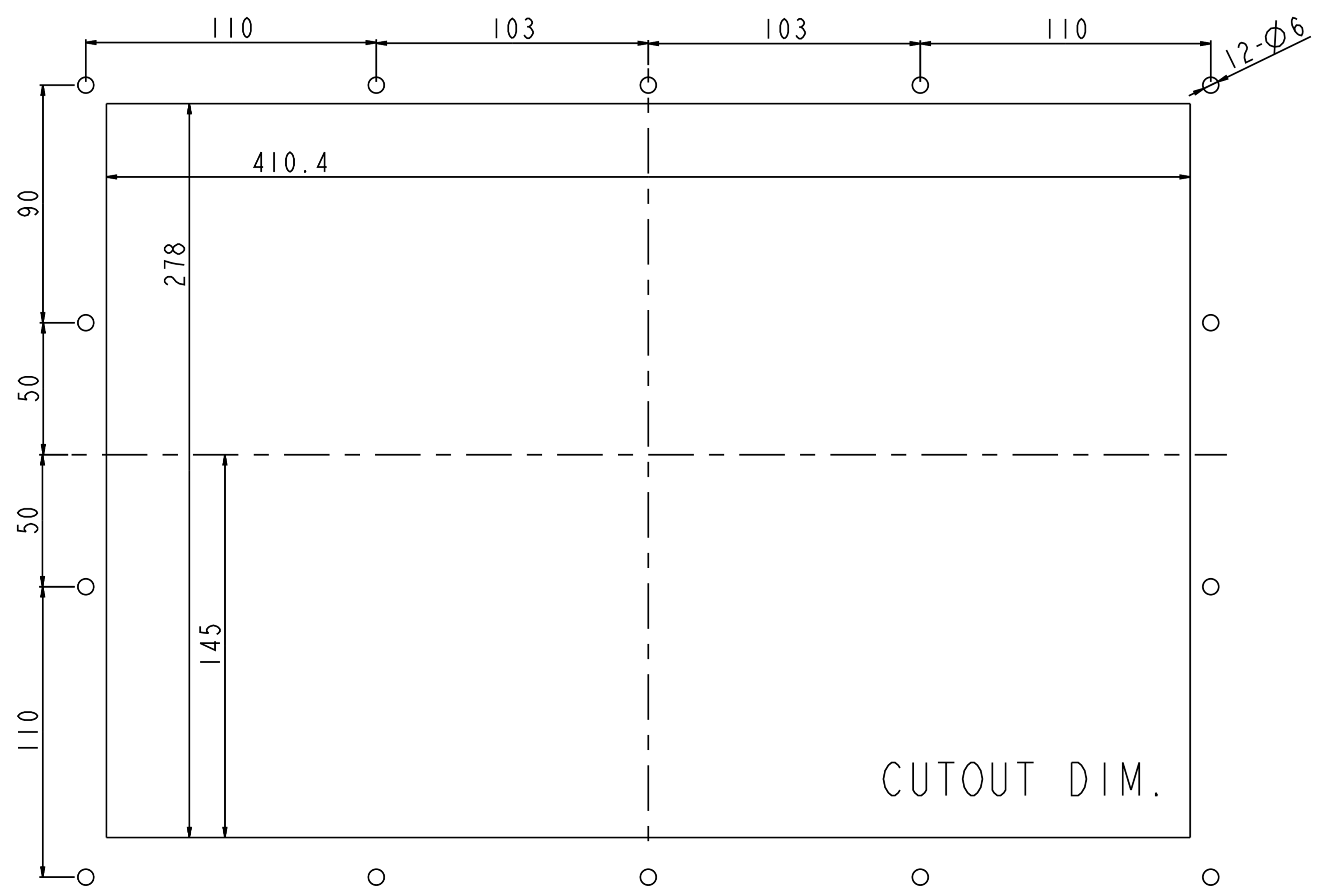
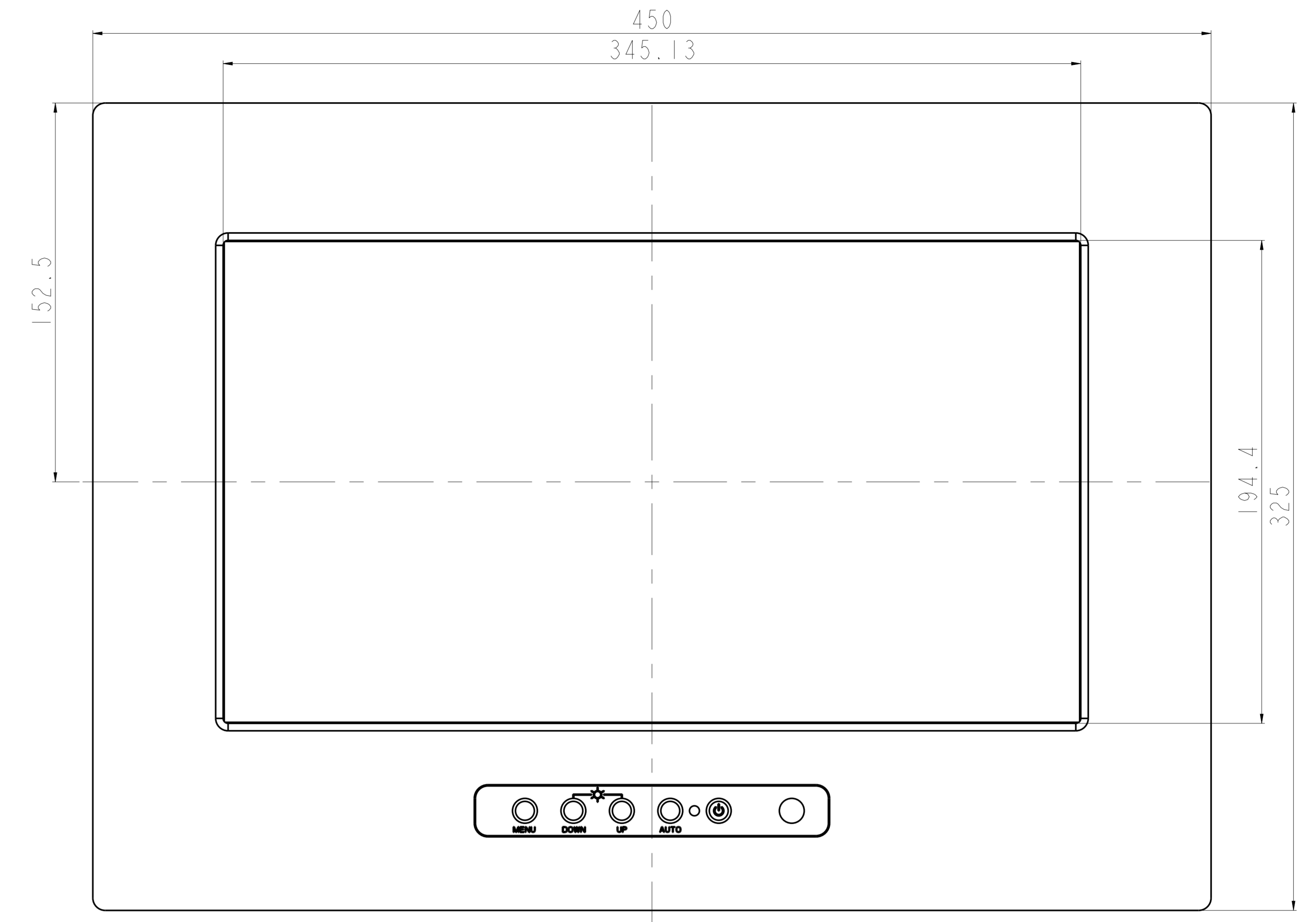
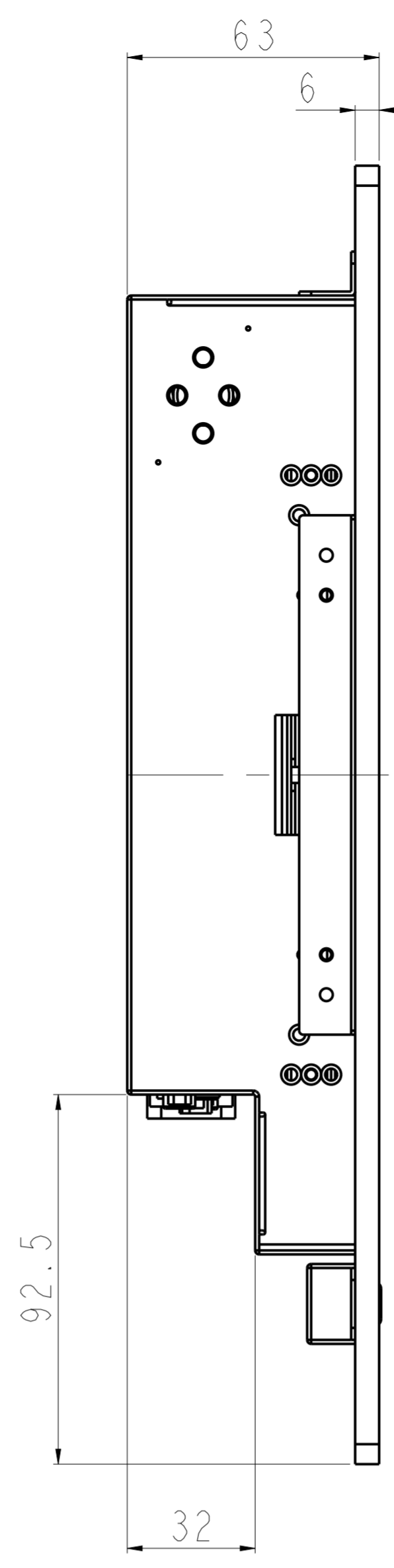
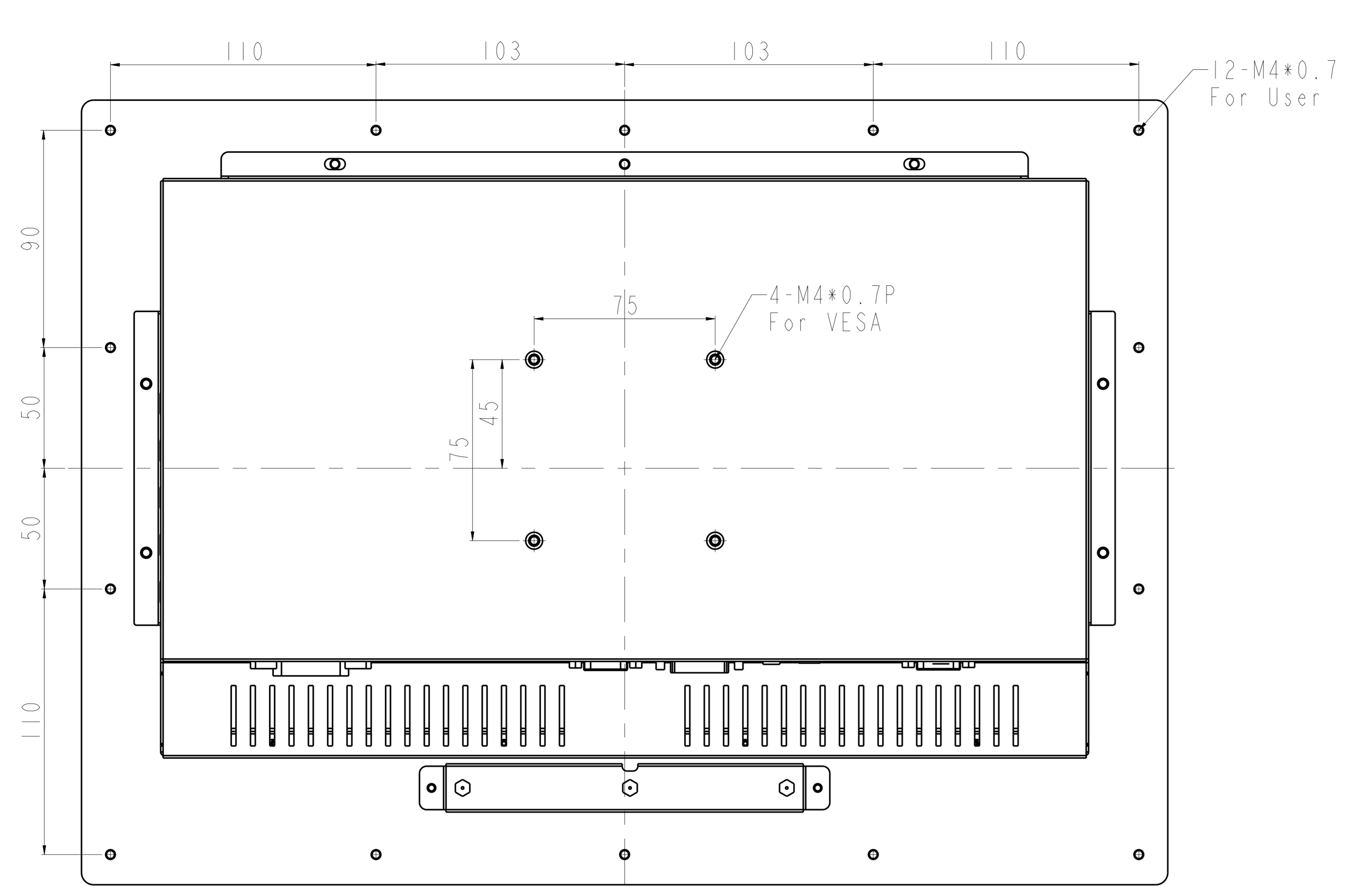
1

2

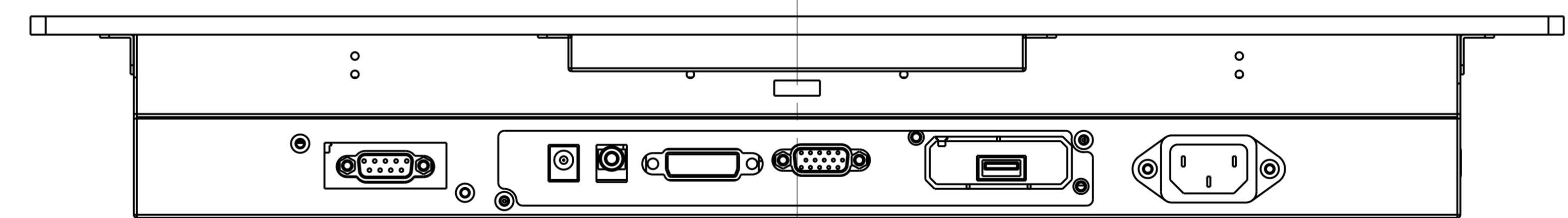
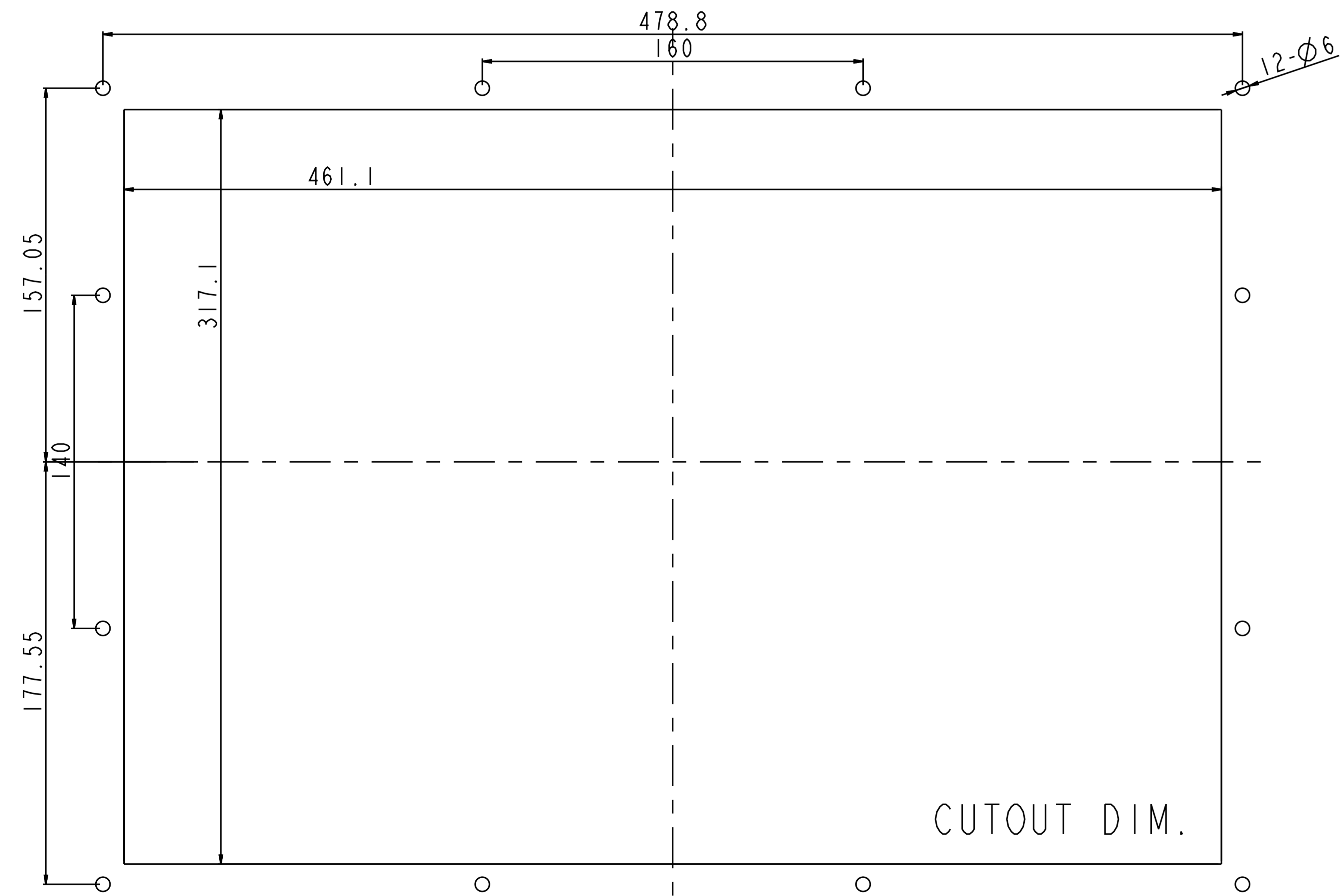
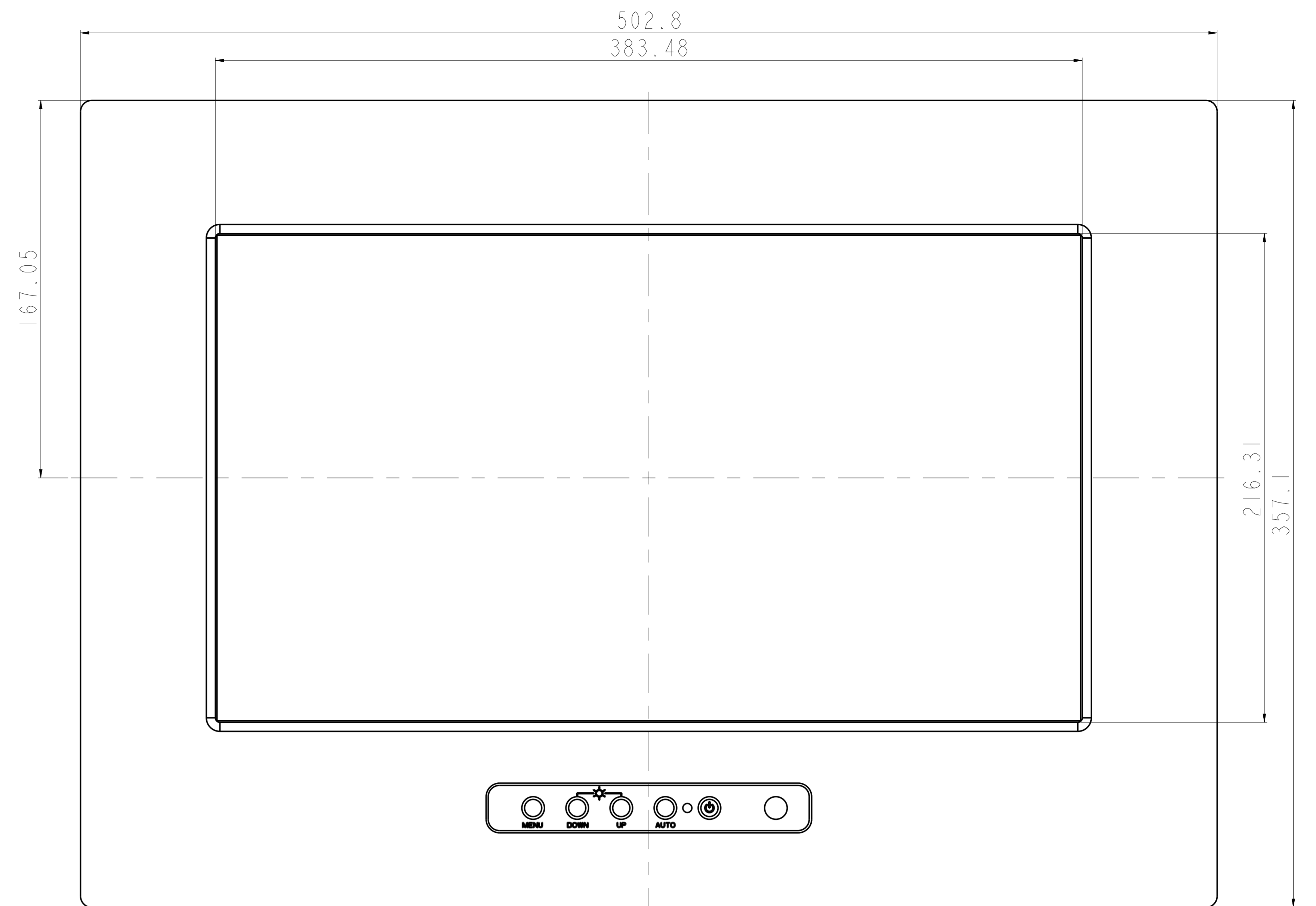
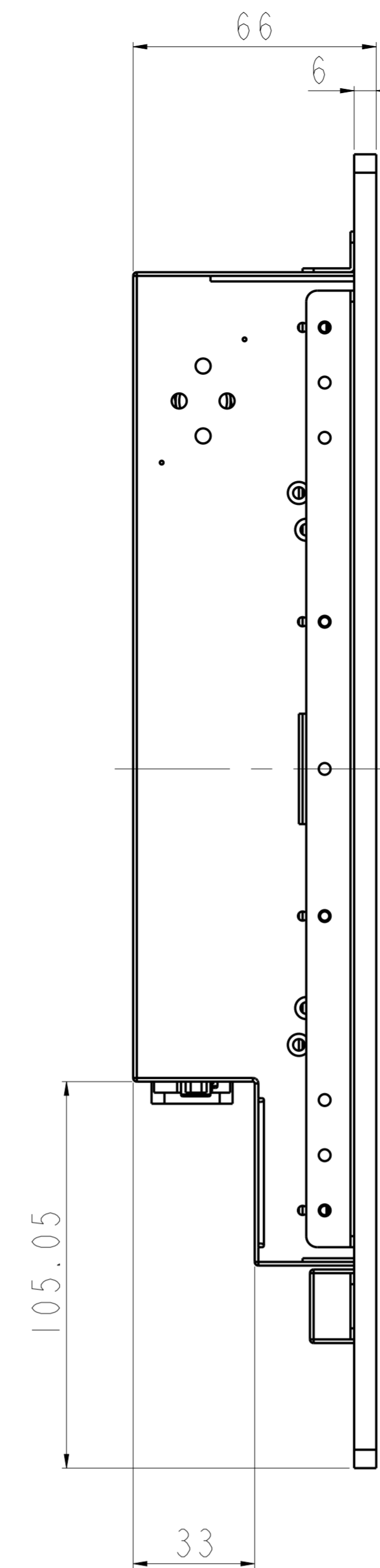
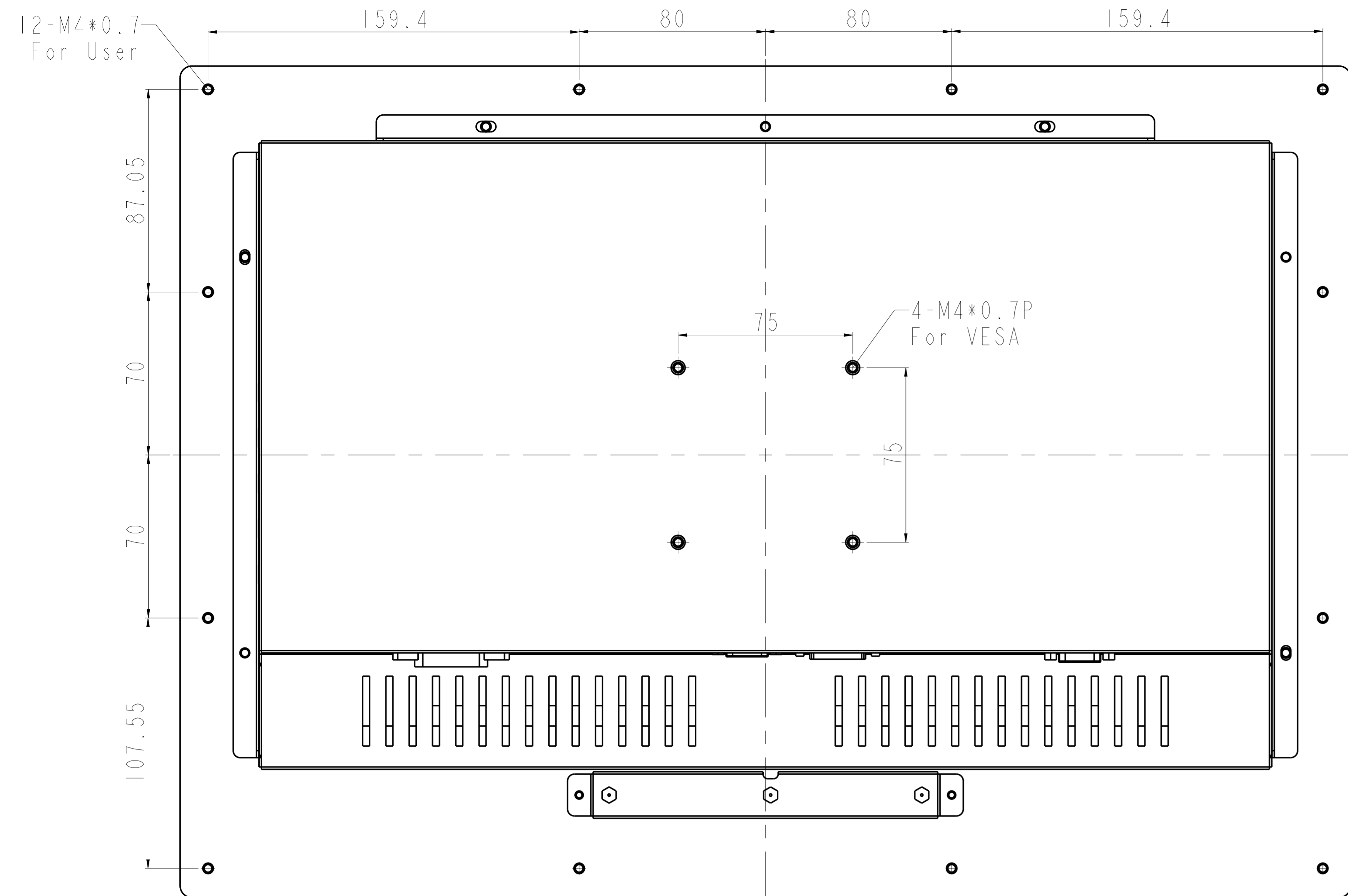
3

4

5



AD/BOARD		MODEL	PM1563			Winsonic Electronics. Co., Ltd.					
INVERTER											
KEY PAD											
PANEL :	VERSION	MATERIAL	METAL	DATE	2013-Sep-14	PART NAME	ASSEMBLY			SCALE	0.800
	V1								DRAWN	Chris	UNIT

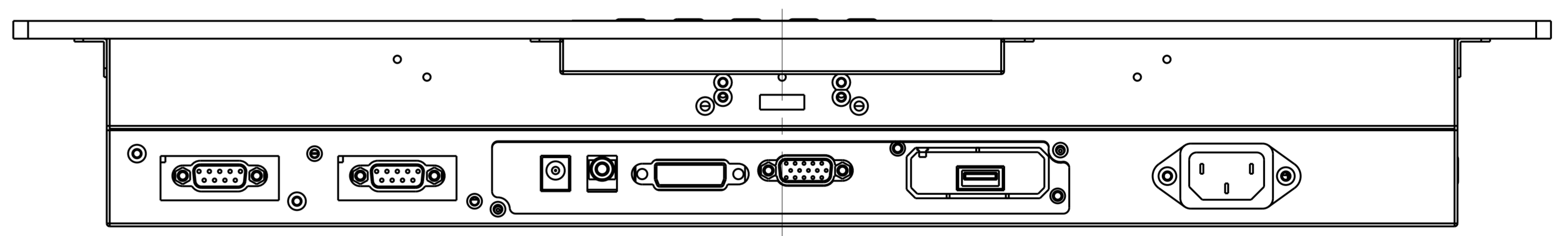
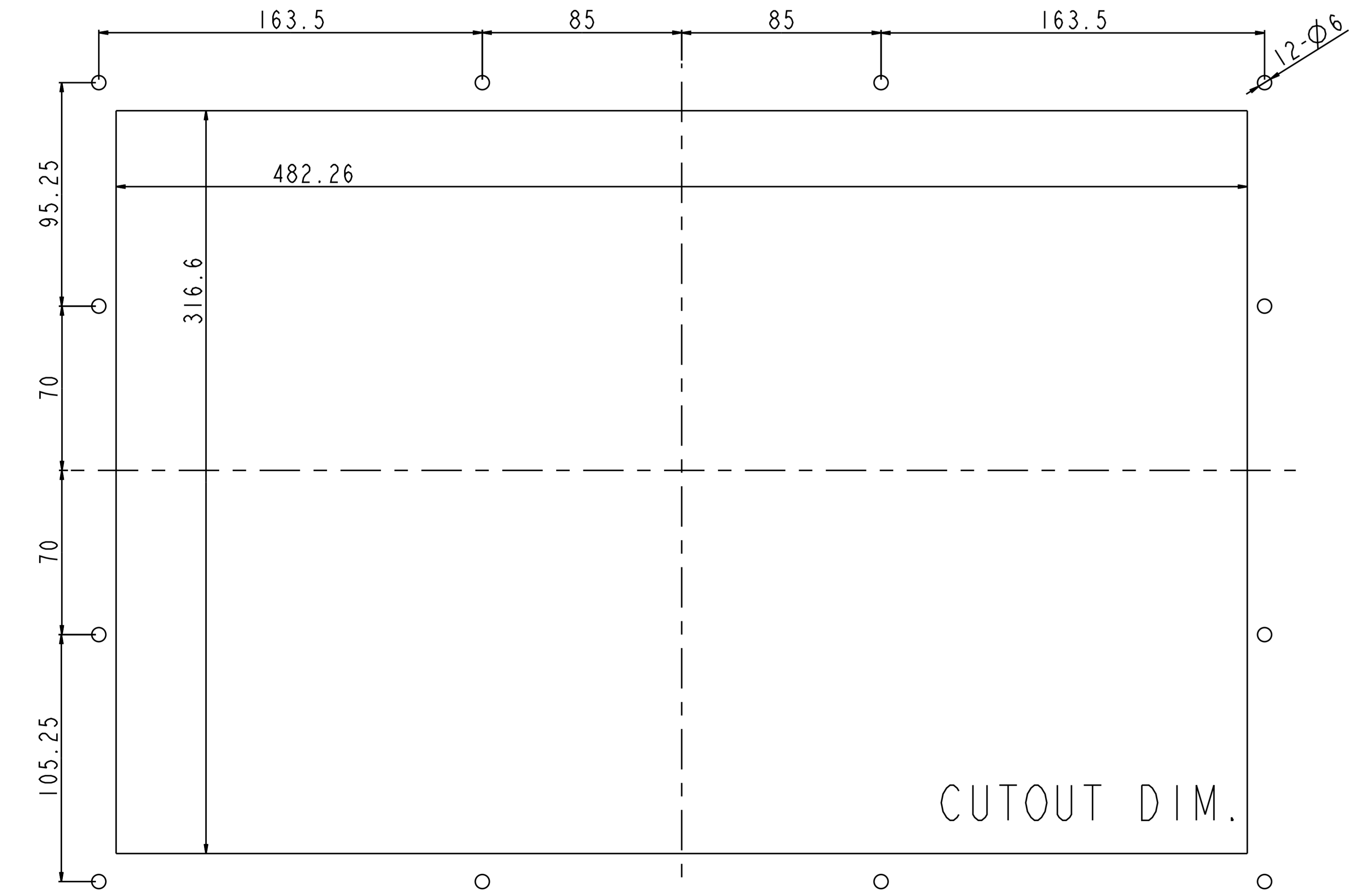
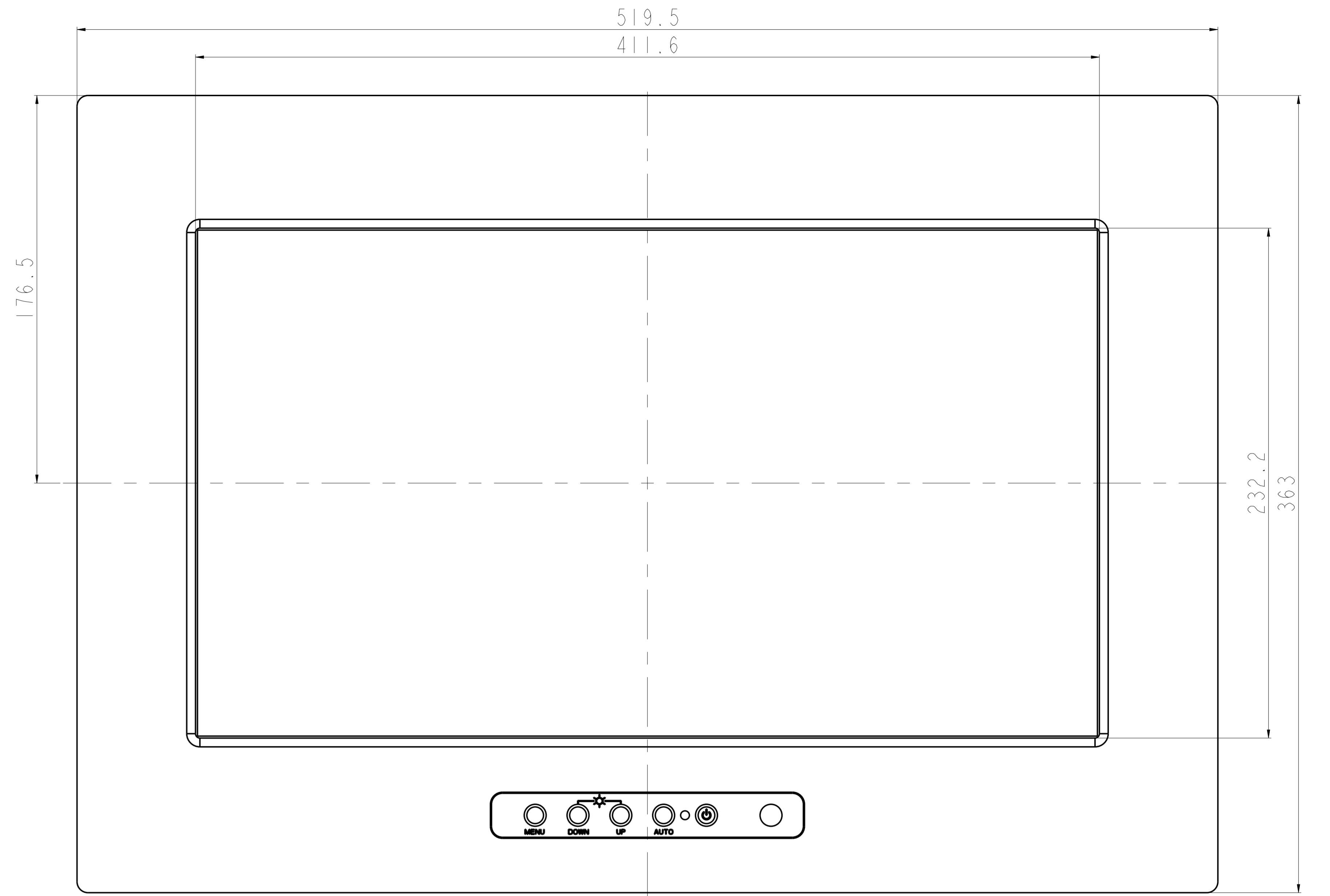
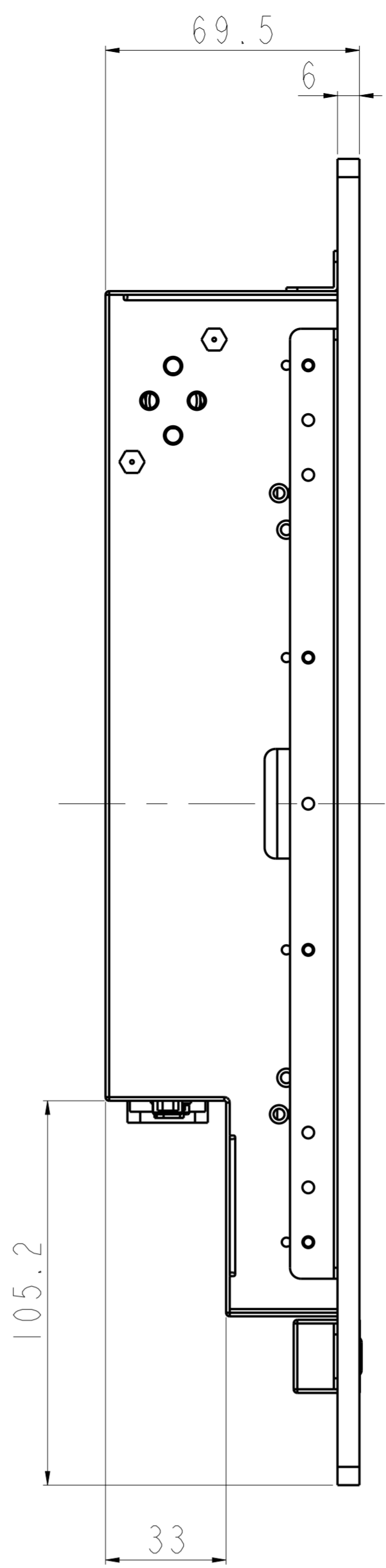
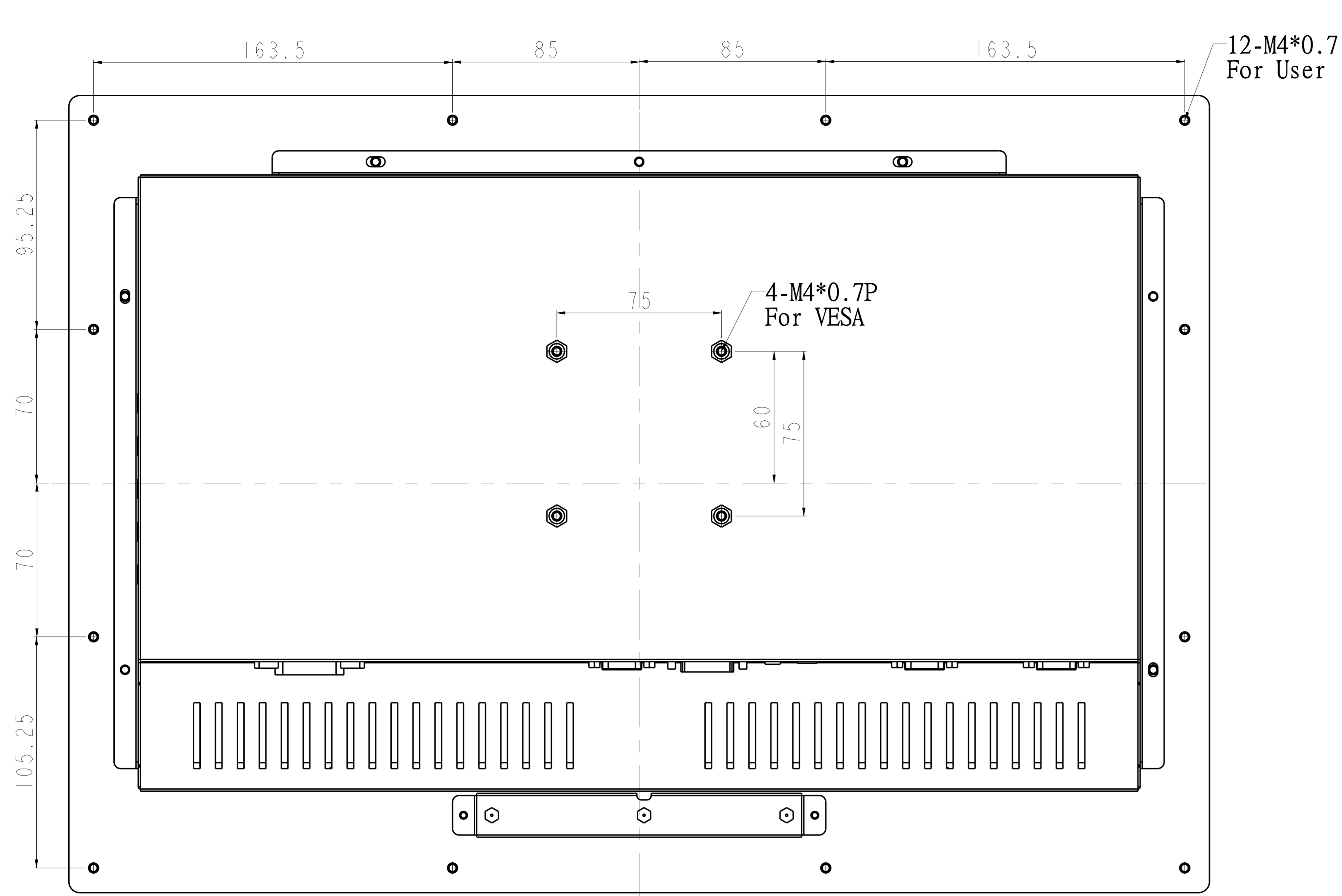


AD/BOARD	
INVERTER	
KEY PAD	

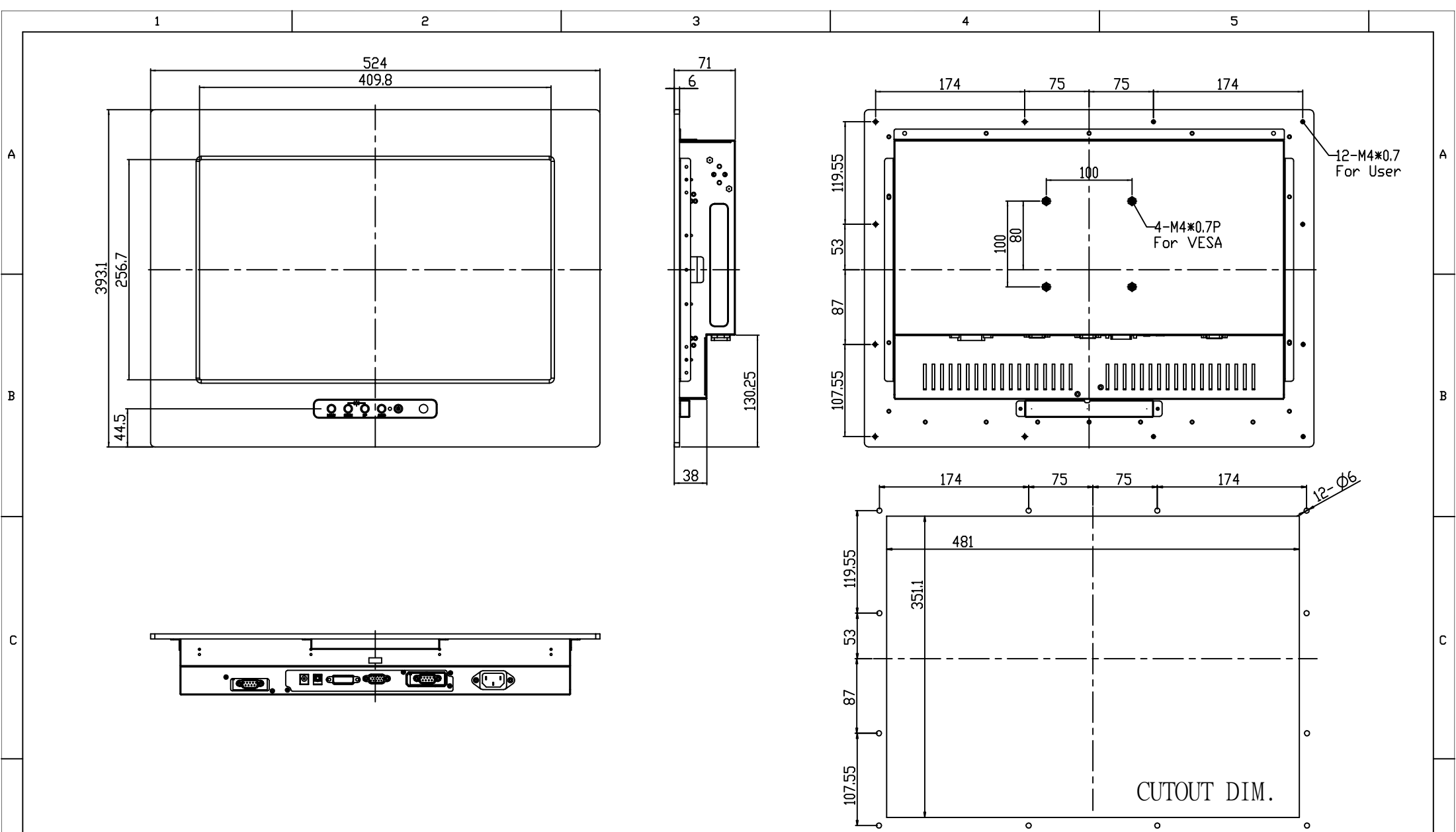
PANEL :	VERSION
	V1

MODEL	PM1733		
MATERIAL	METAL	DATE	2013-Sep-11

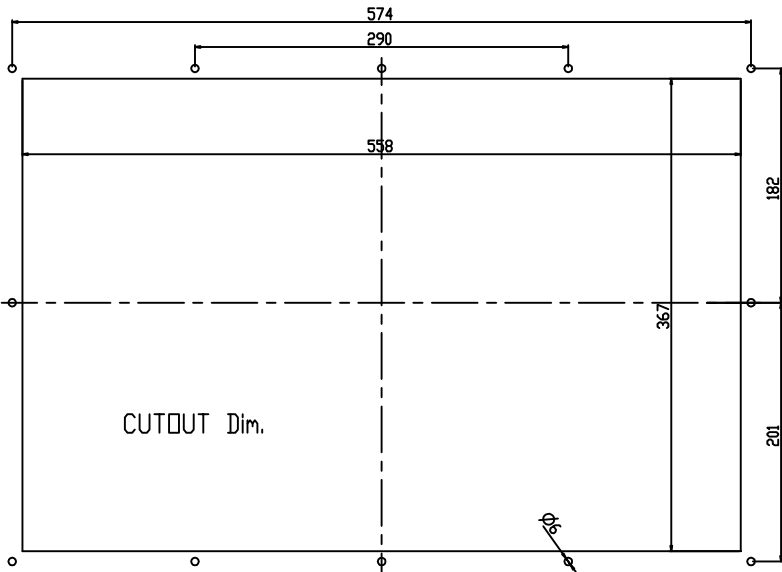
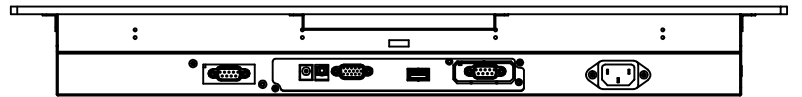
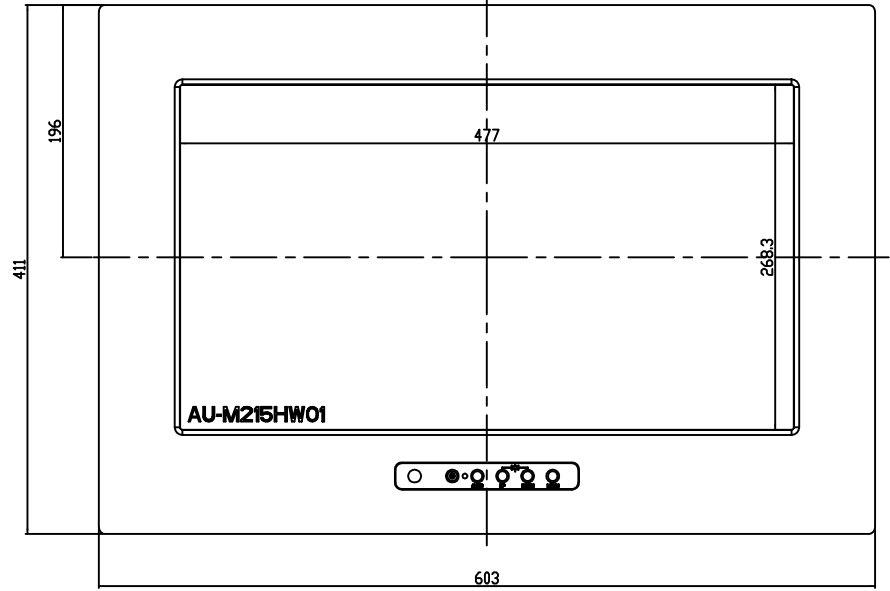
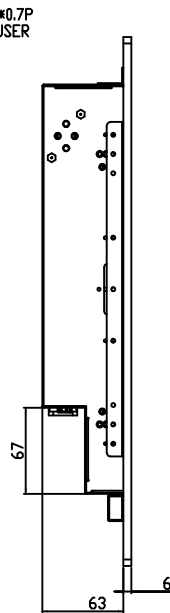
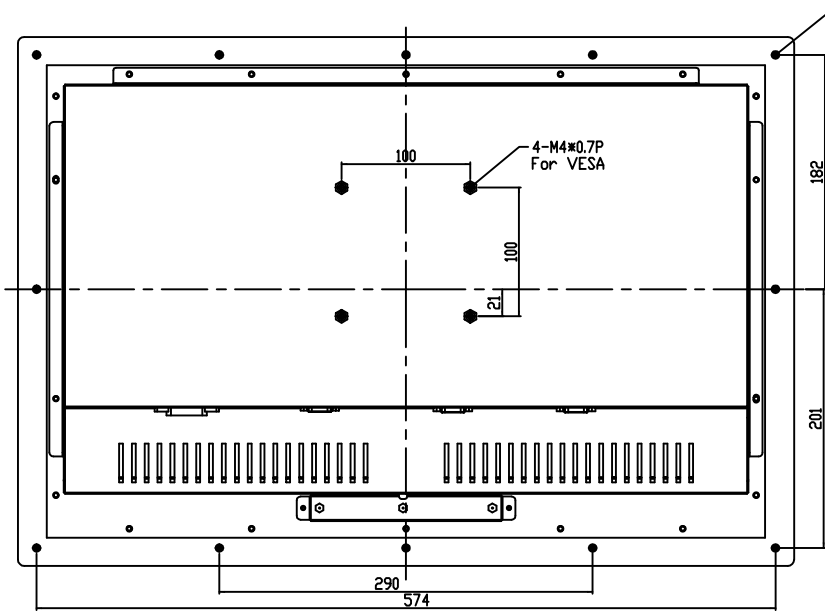
Winsonic Electronics. Co., Ltd.			
PART NAME	ASSEMBLY		
APPROVED	DRAWN	Chris	SCALE 0.800
			UNIT MM



AD/BOARD		MODEL	PM1853		Winsonic Electronics. Co., Ltd.					
INVERTER										
KEY PAD										
PANEL :	VERSION	MATERIAL	METAL	DATE	2013-Dec-03	PART NAME	ASSEMBLY			
	V1					APPROVED	DRAWN	Chris	SCALE	0.800



AD/BOARD		MODEL	PM19W3			泓瑜科技有限公司 WINSONIC TECH. CO., LTD.					
INVERTER											
KEY PAD						VERSION	MATERIAL	METAL	DATE	2013-Jun-18	APPROVED
PANEL		V1									
1	2	3	4	5							



AD/BOARD		MODEL	PM2153			泓瑜科技有限公司 WINSONIC TECH. CO., LTD.				
INVERTER										
KEY PAD										
PANEL:	VERSION	MATERIAL	METAL	DATE	2012-May-07	PART NAME	ASSEMBLY			
	V1					APPROVED	DRAWN	Jack	SCALE	0.700
								UNIT	MM	

1

2

3

4

5

A

B

C

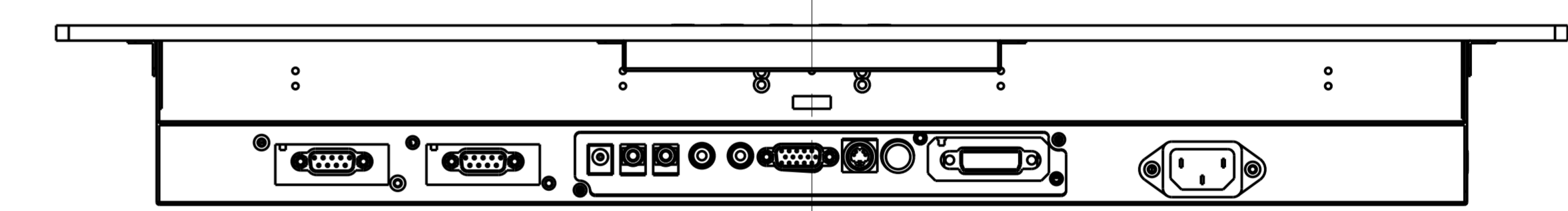
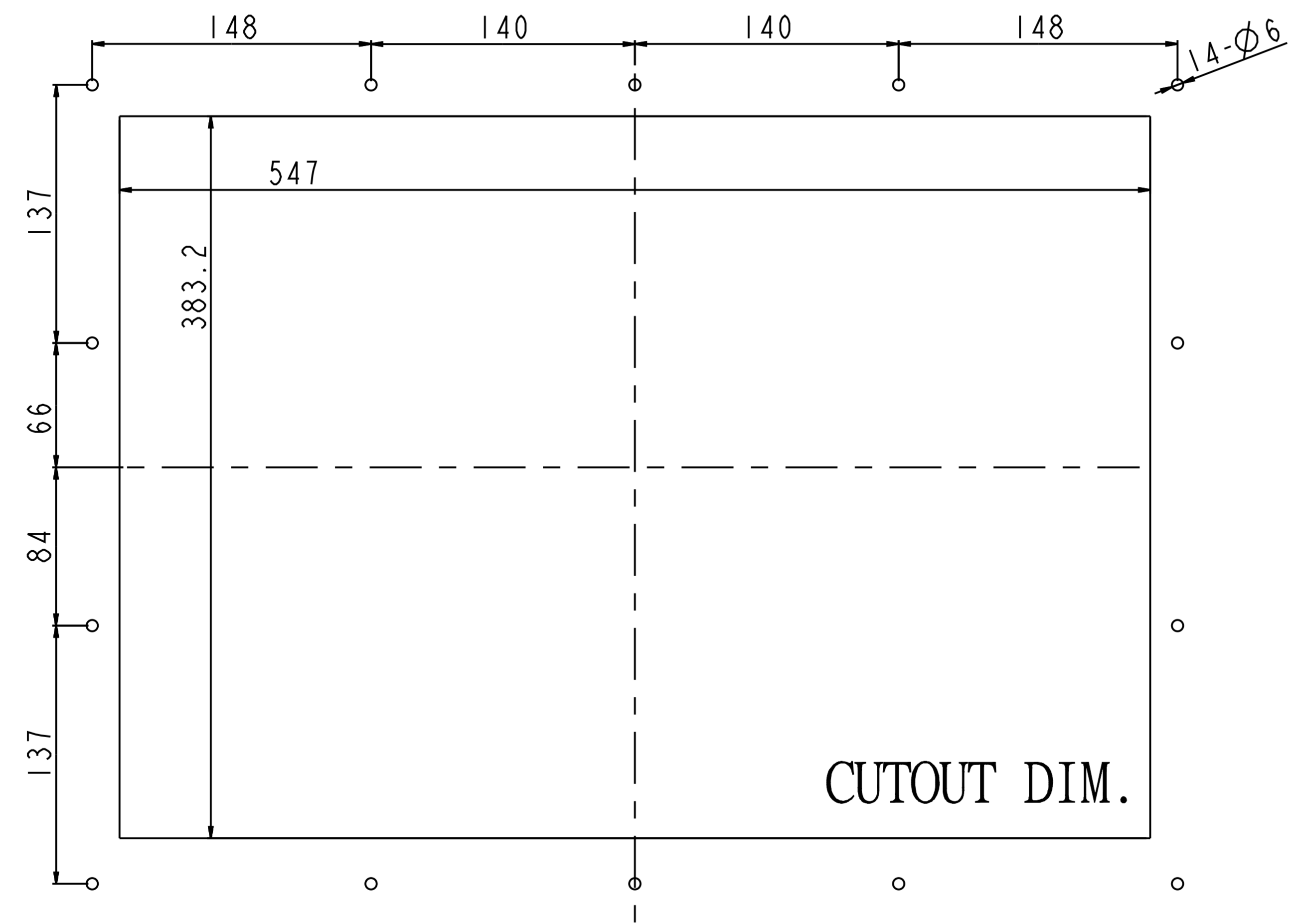
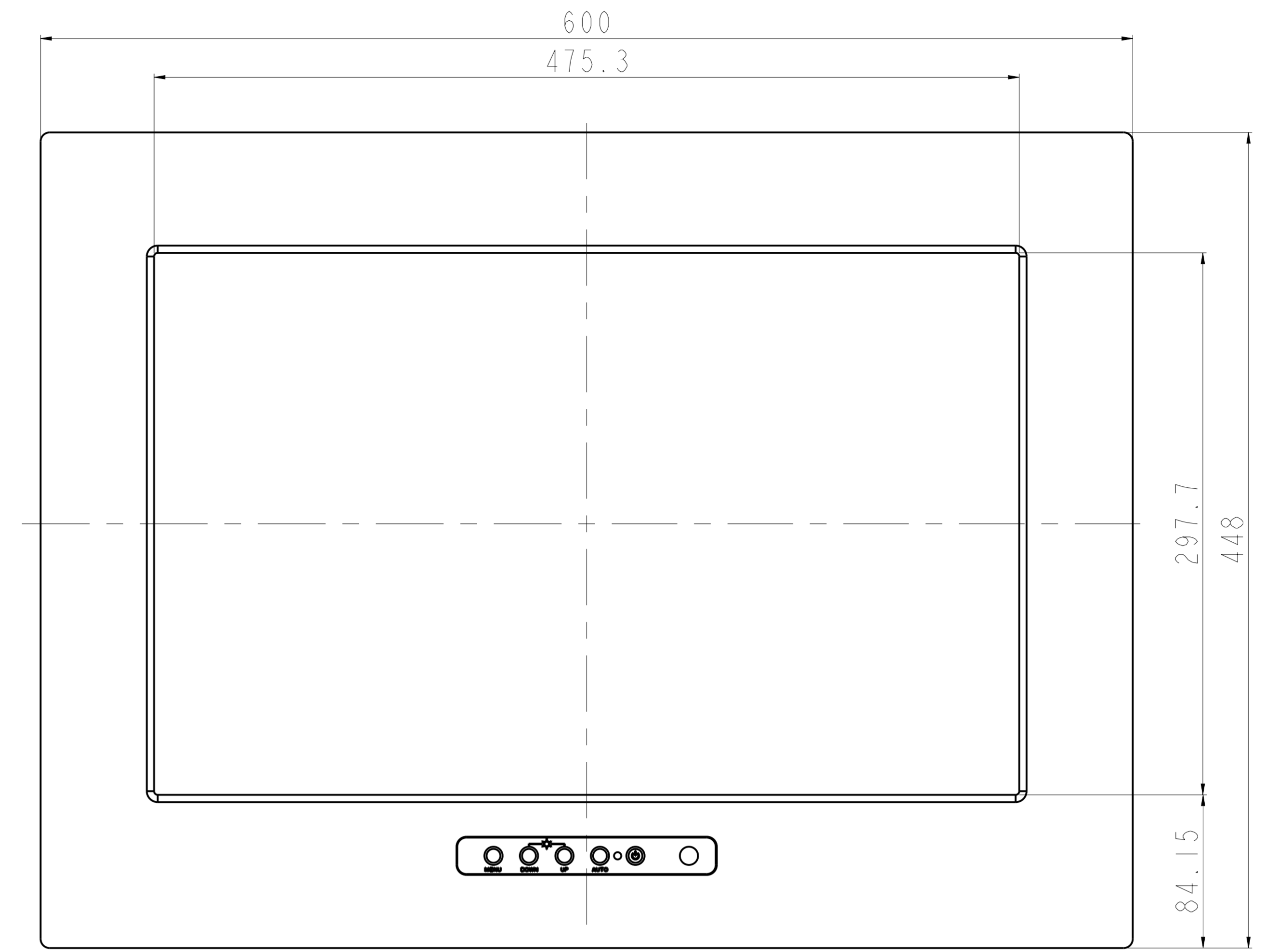
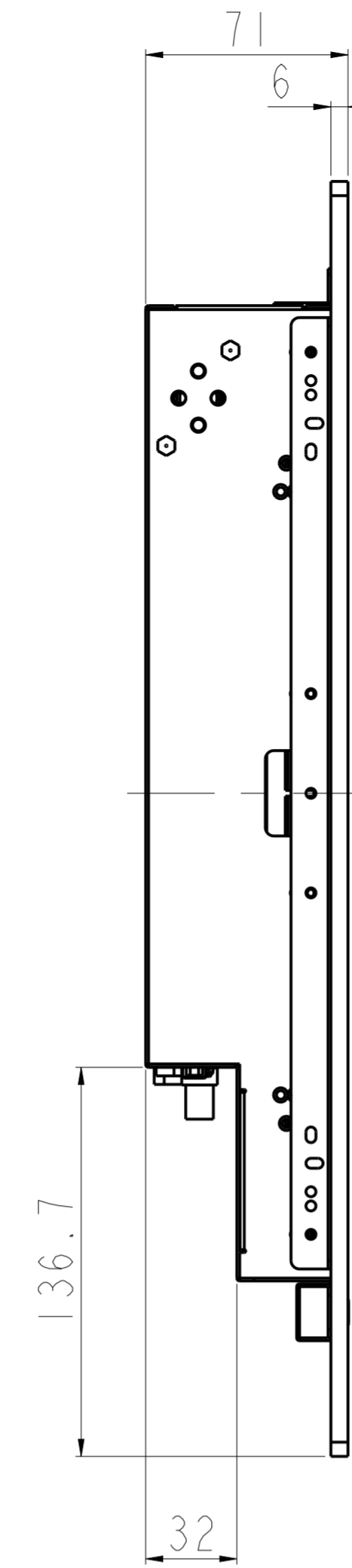
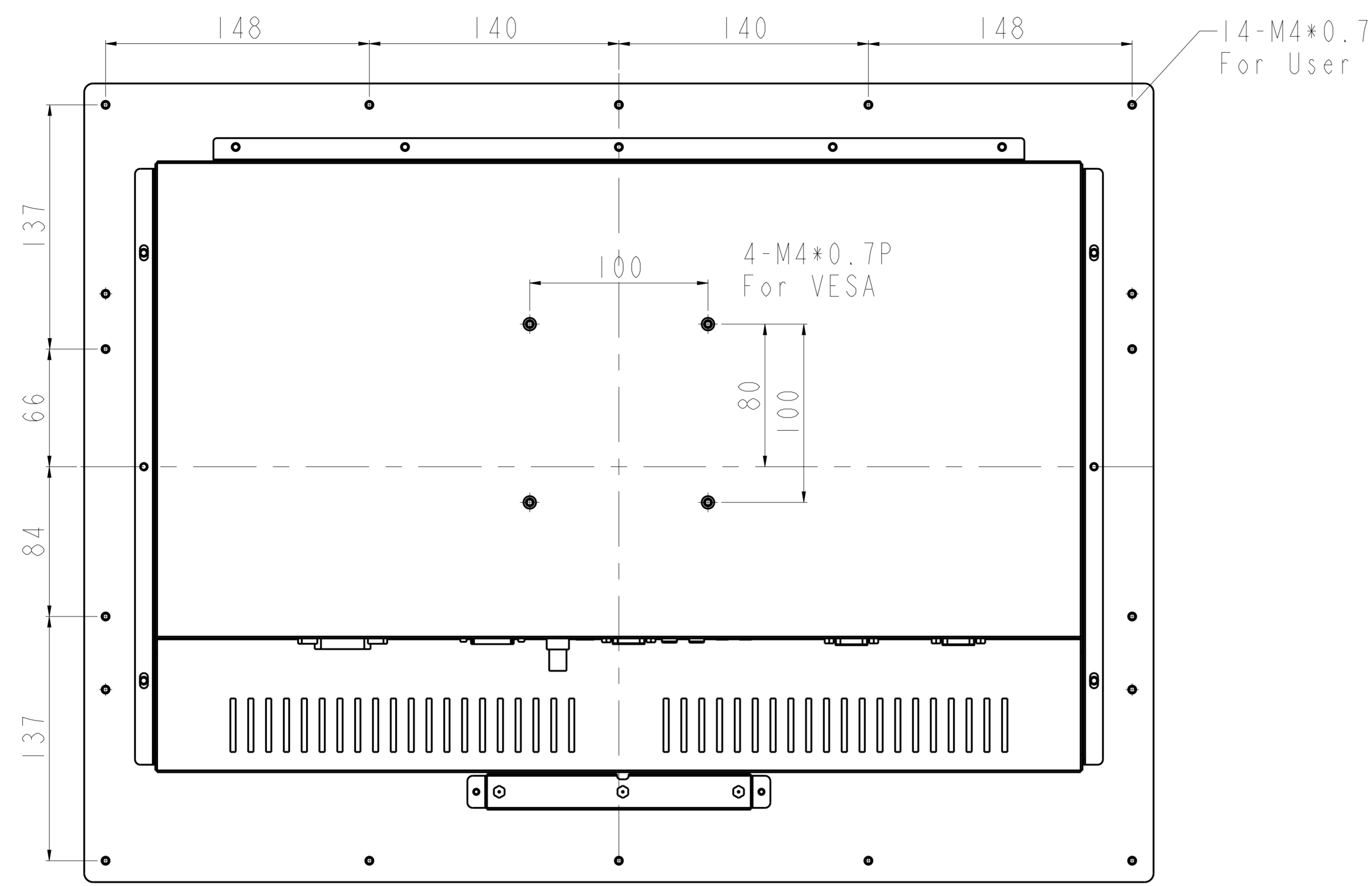
D

A

B

C

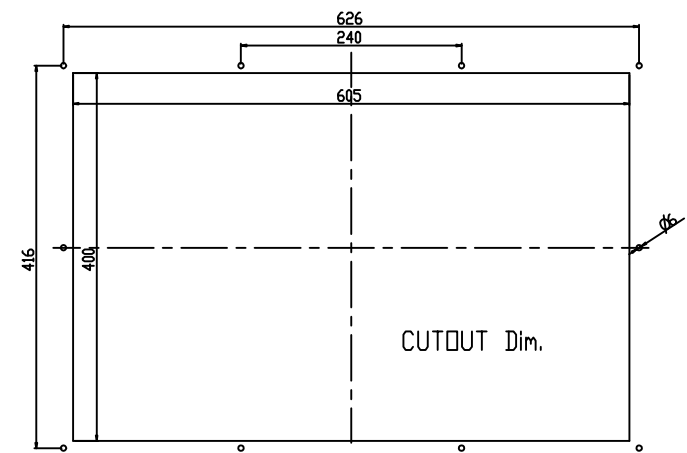
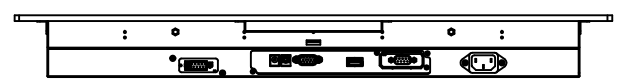
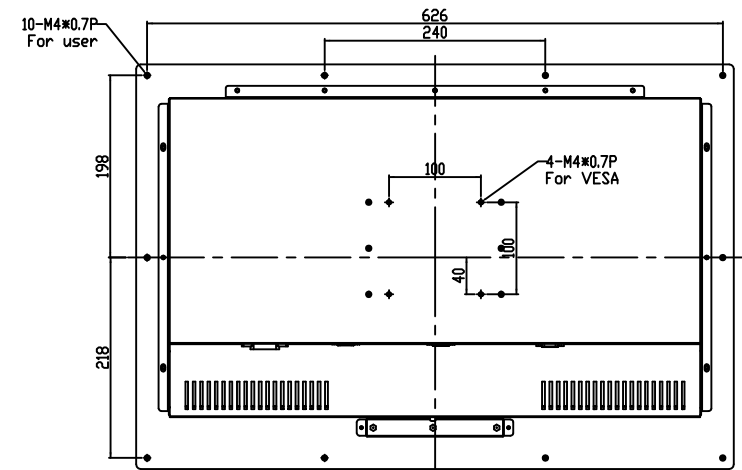
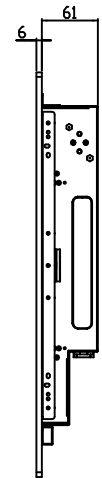
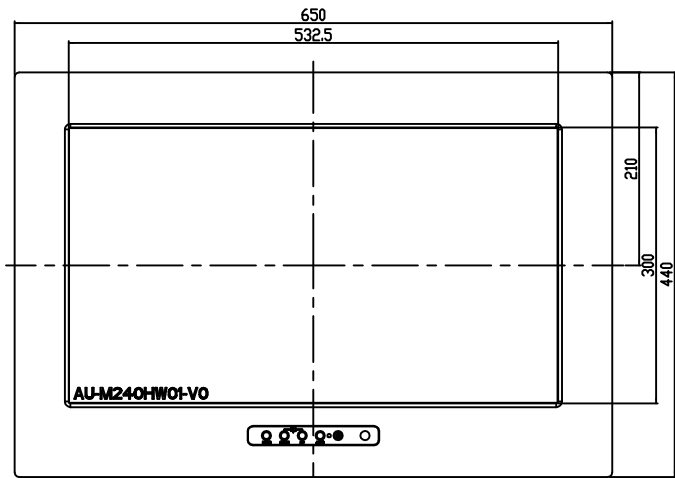
D



AD/BOARD	
INVERTER	
KEY PAD	
PANEL :	VERSION
	V1

MODEL	PM2203		
MATERIAL	METAL	DATE	2013-Jun-18

Winsonic Electronics. Co., Ltd.			
PART NAME	ASSEMBLY		
APPROVED	DRAWN	Chris	SCALE 0.500
			UNIT MM



AD/BOARD		MODEL	PM2403			Winsonic Electronics. Co., Ltd.				
INVERTER										
KEY PAD										
PANEL:	VERSION	MATERIAL	METAL;	DATE	2012-Feb-27	PART NAME	ASSEMBLY			
	V1					APPROVED	DRAWN	Jack	SCALE	0.250
									UNIT	MM

A

B

C

D

A

B

C

D

1

2

3

4

5

1

2

3

4

5