

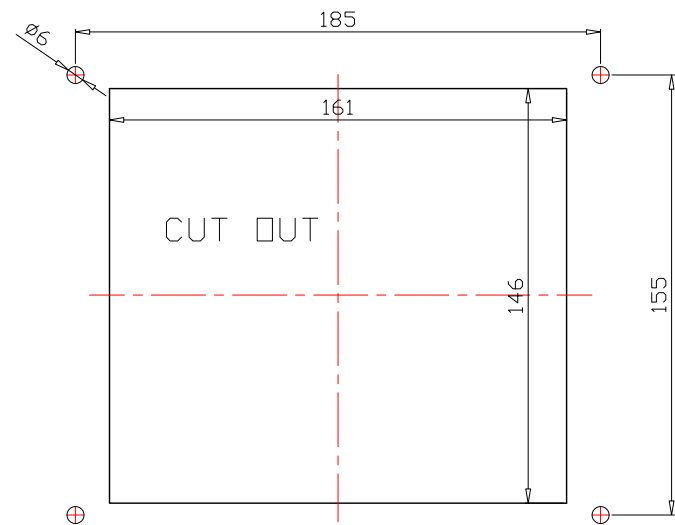
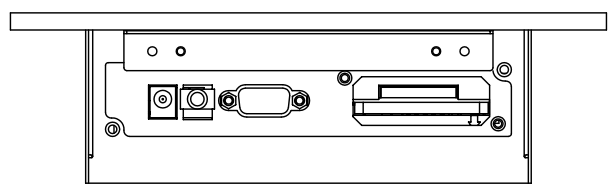
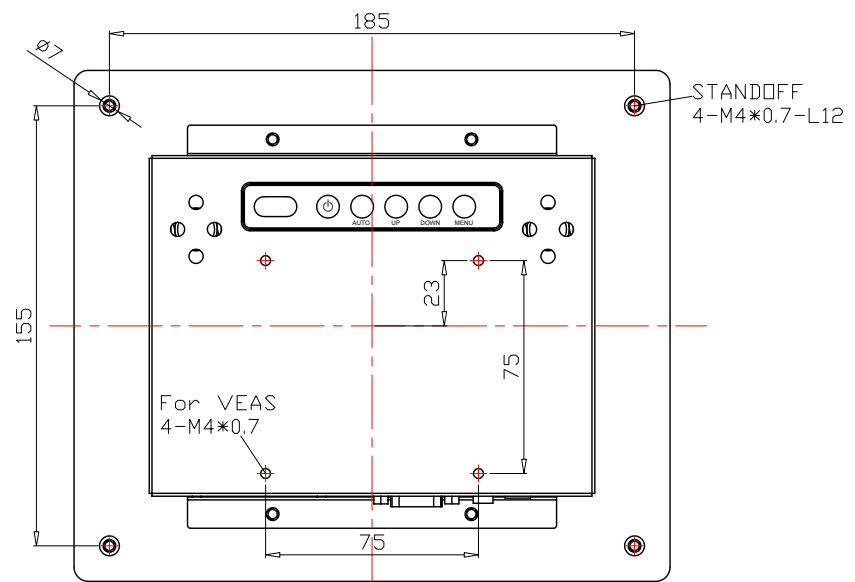
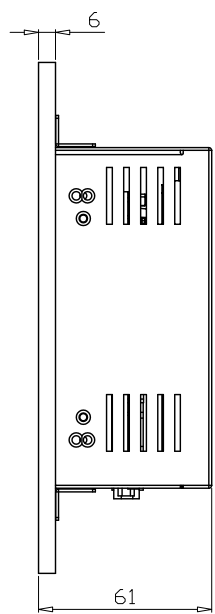
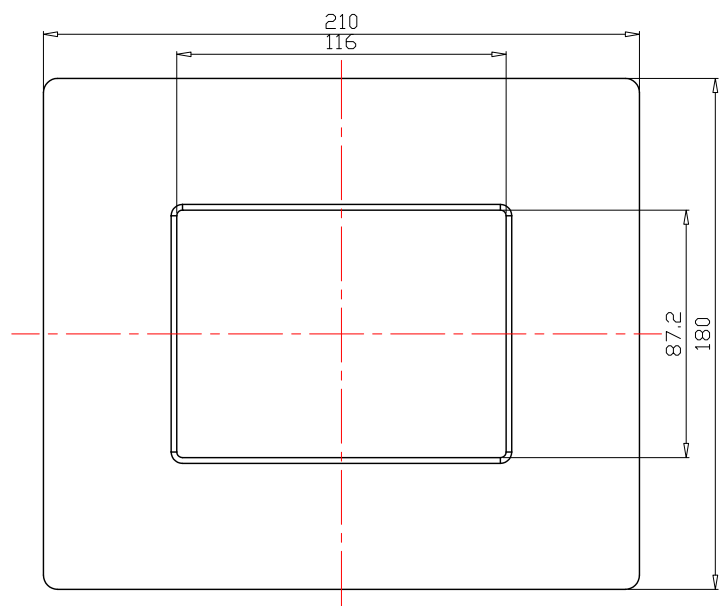
1 2 3 4 5

A

B

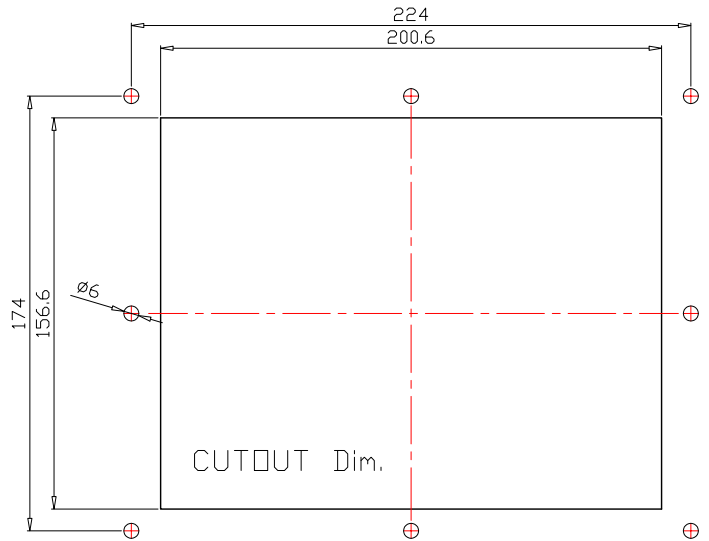
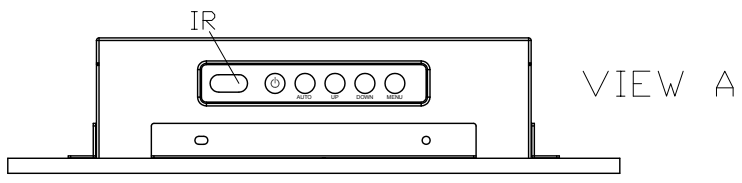
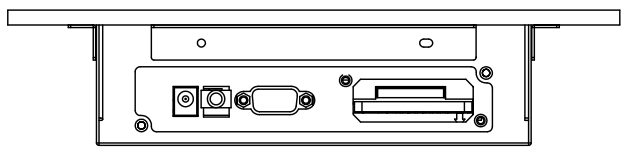
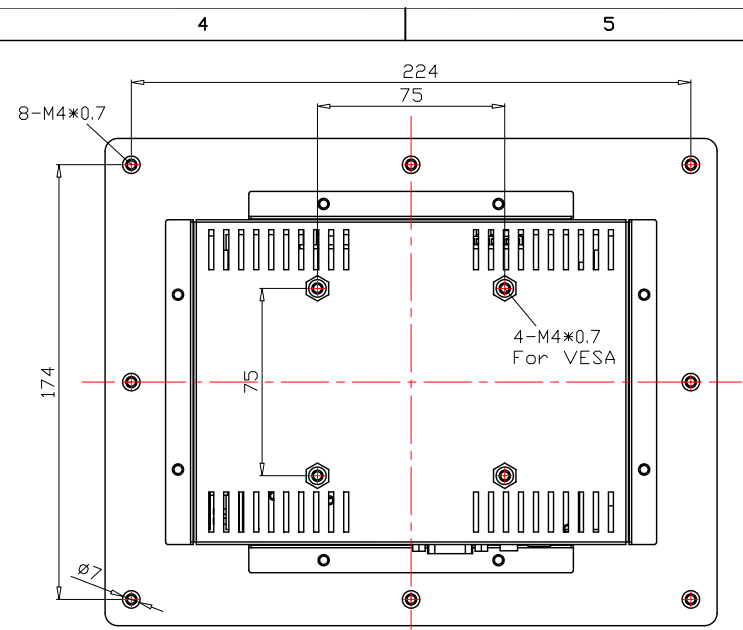
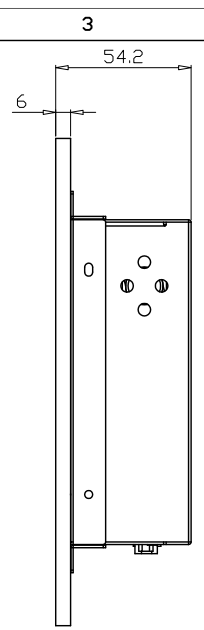
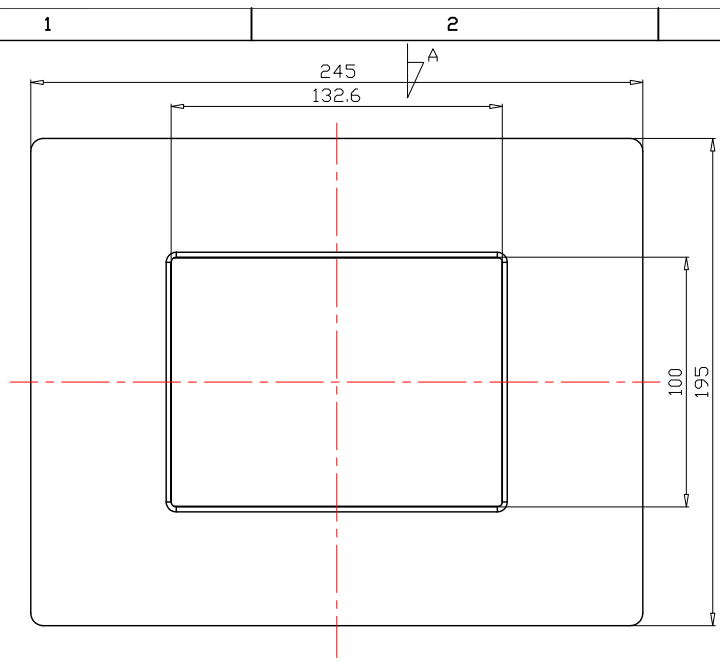
C

D



AD/BOARD		MODEL	PM0576		泓瑜科技有限公司 WINSONIC TECH. CO., LTD.				
INVERTER									
KEY PAD					VERSION	DATE	2012-Feb-13	APPROVED	DRAWN
PANEL:									
AU-G057VN01_V0		D	MATERIAL						

1 2 3 4 5



AD/BOARD		MODEL	PM0656		泓瑜科技有限公司 WINSONIC TECH. CO., LTD.						
INVERTER		PART NO.								PART NAME	Assembly
KEY PAD		MATERIAL	METAL	DATE	2012-Feb-21	APPROVED		DRAWN	JACK	UNIT	MM
PANEL:											

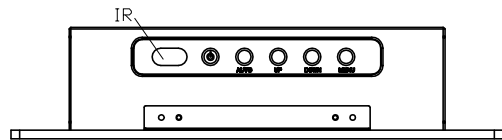
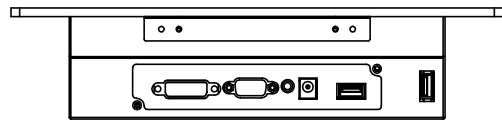
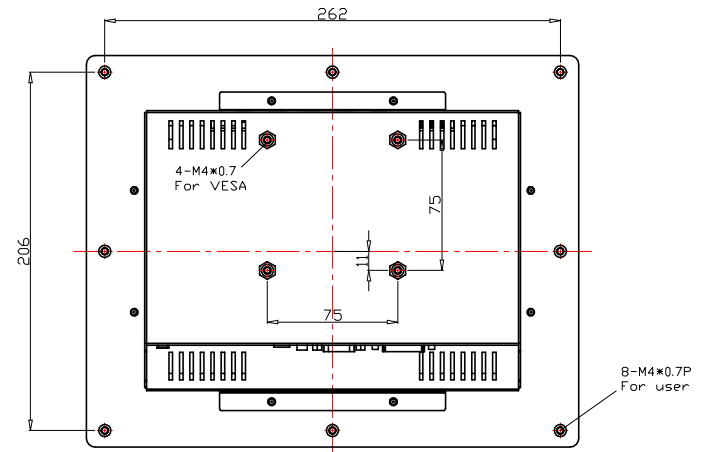
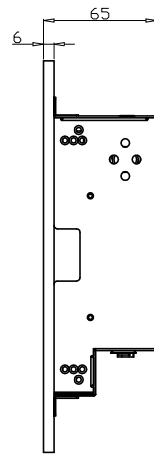
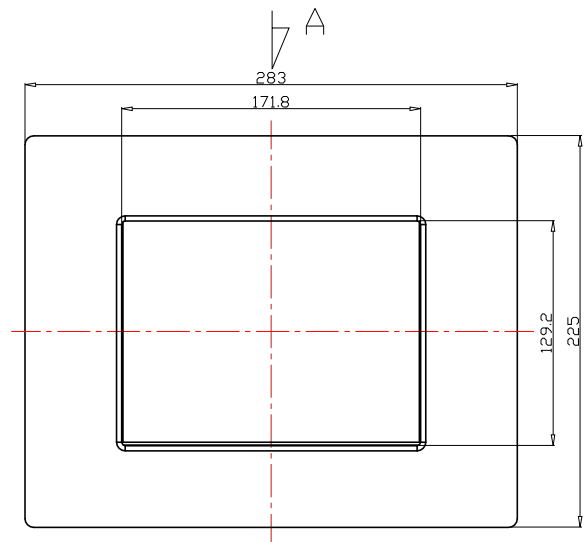
1

2

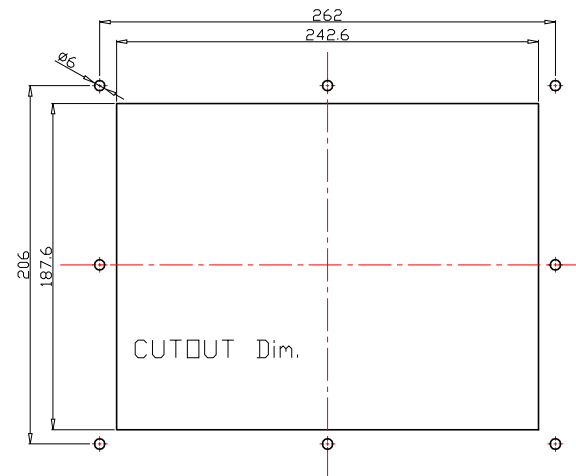
3

4

5



VIEW A



AD/BOARD		MODEL	PM0846		泓瑜科技有限公司 WINSONIC TECH. CO., LTD.					
INVERTER										PART NAME
KEY PAD					VERSION	DATE	2012-Mar-09	APPROVED		DRAWN
PANEL:		D	MATERIAL							

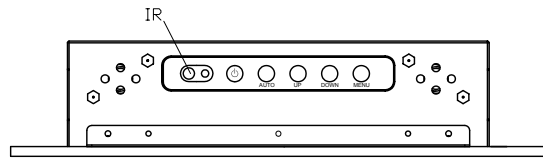
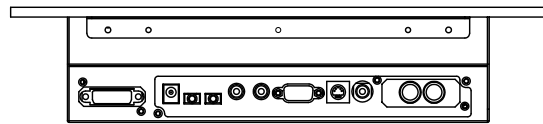
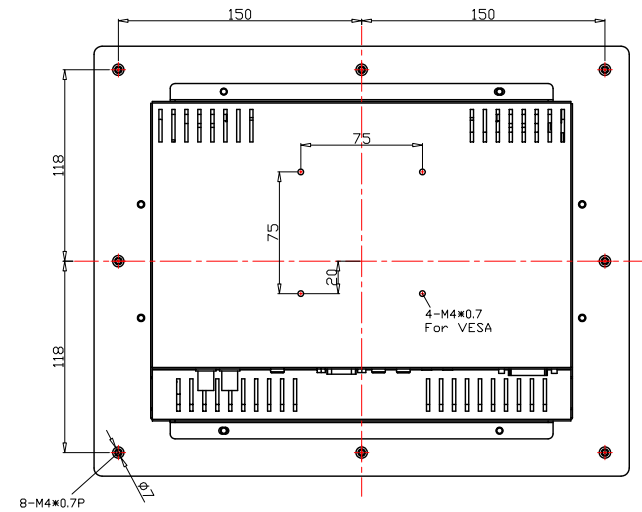
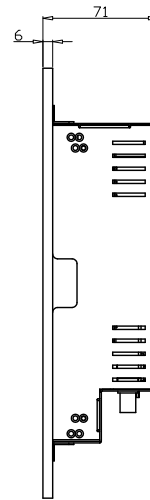
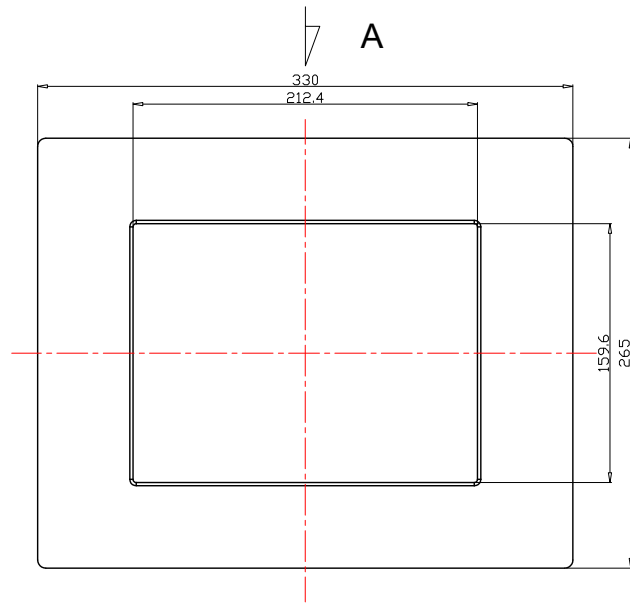
1

2

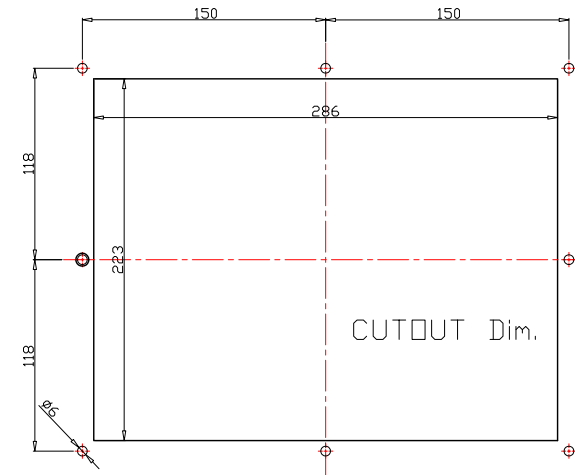
3

4

5



VIEW A



AD/BOARD		MODEL	PM1045		泓瑜科技有限公司 WINSONIC TECH. CO., LTD.				
INVERTER									
KEY PAD									
PANEL:	VERSION	MATERIAL	METAL	DATE	2012-Feb-22	PART NAME	Assembly		
	D							APPROVED	
									DWG SIZE MM

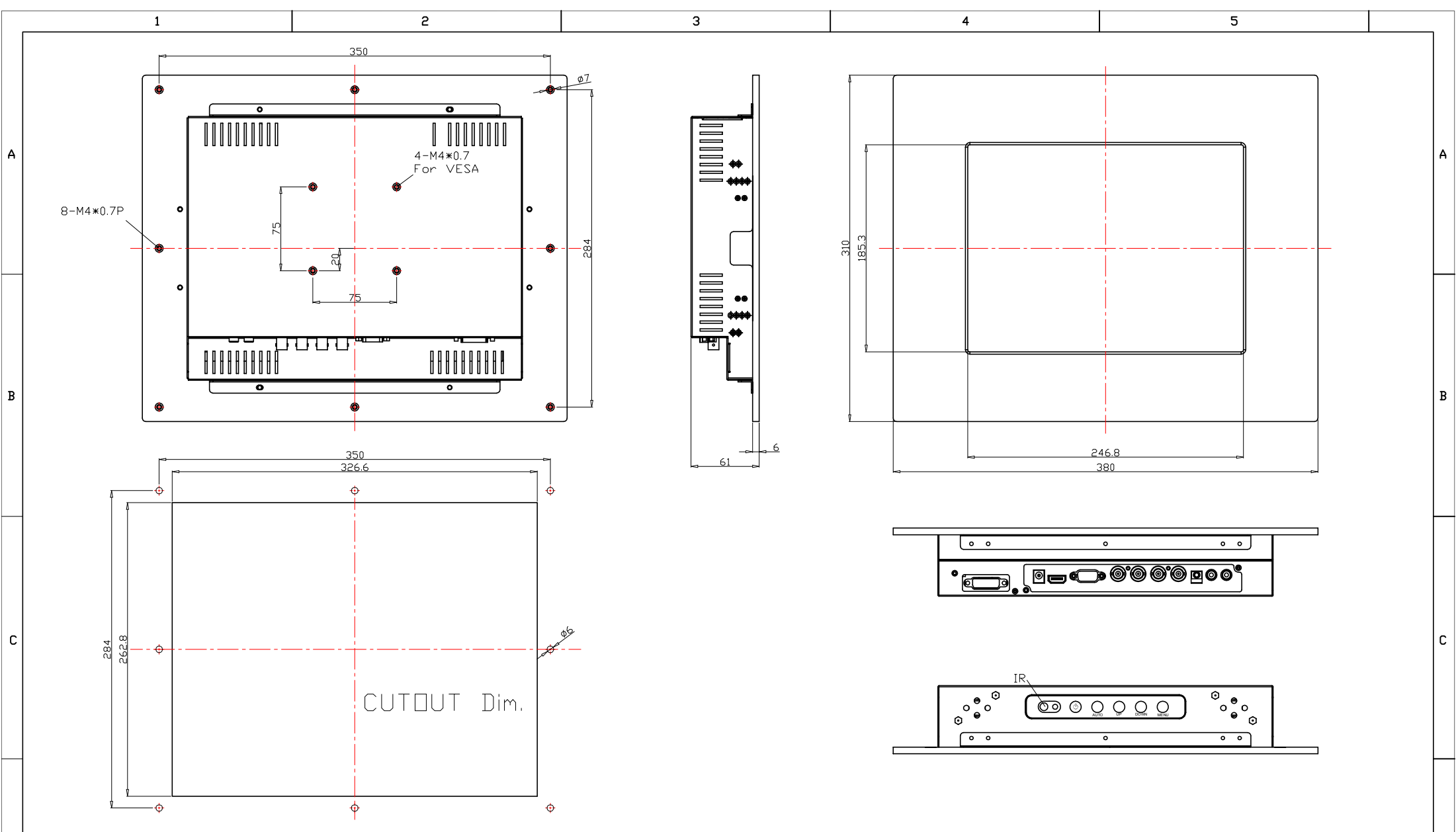
1

2

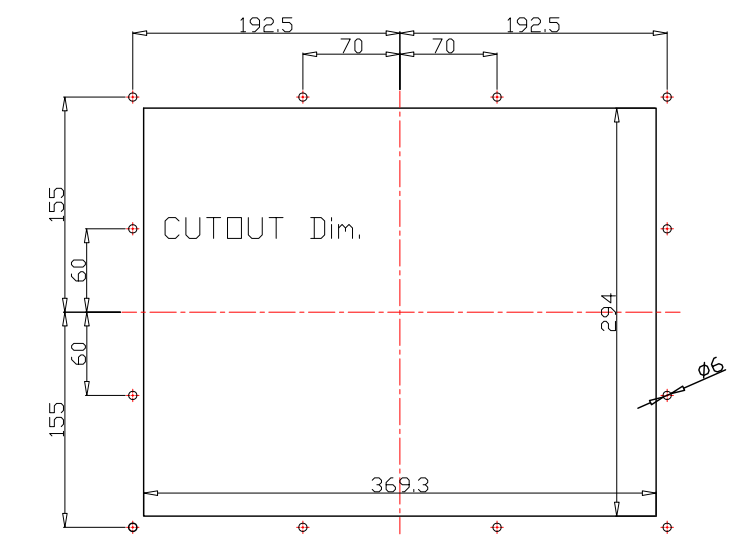
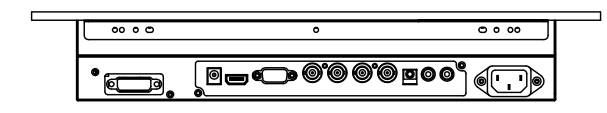
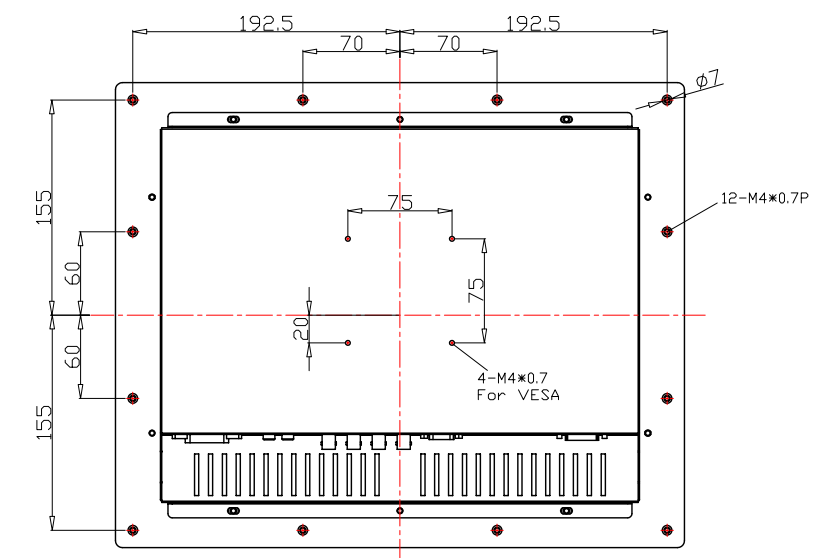
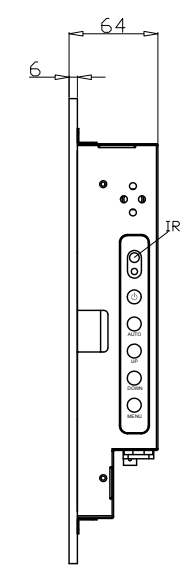
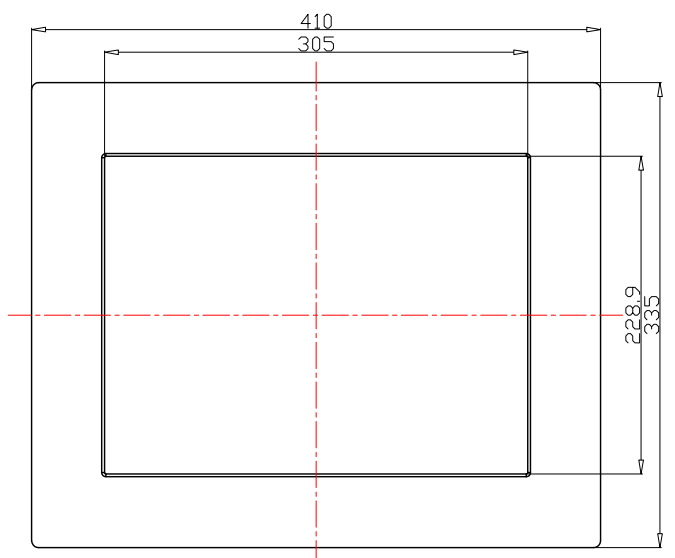
3

4

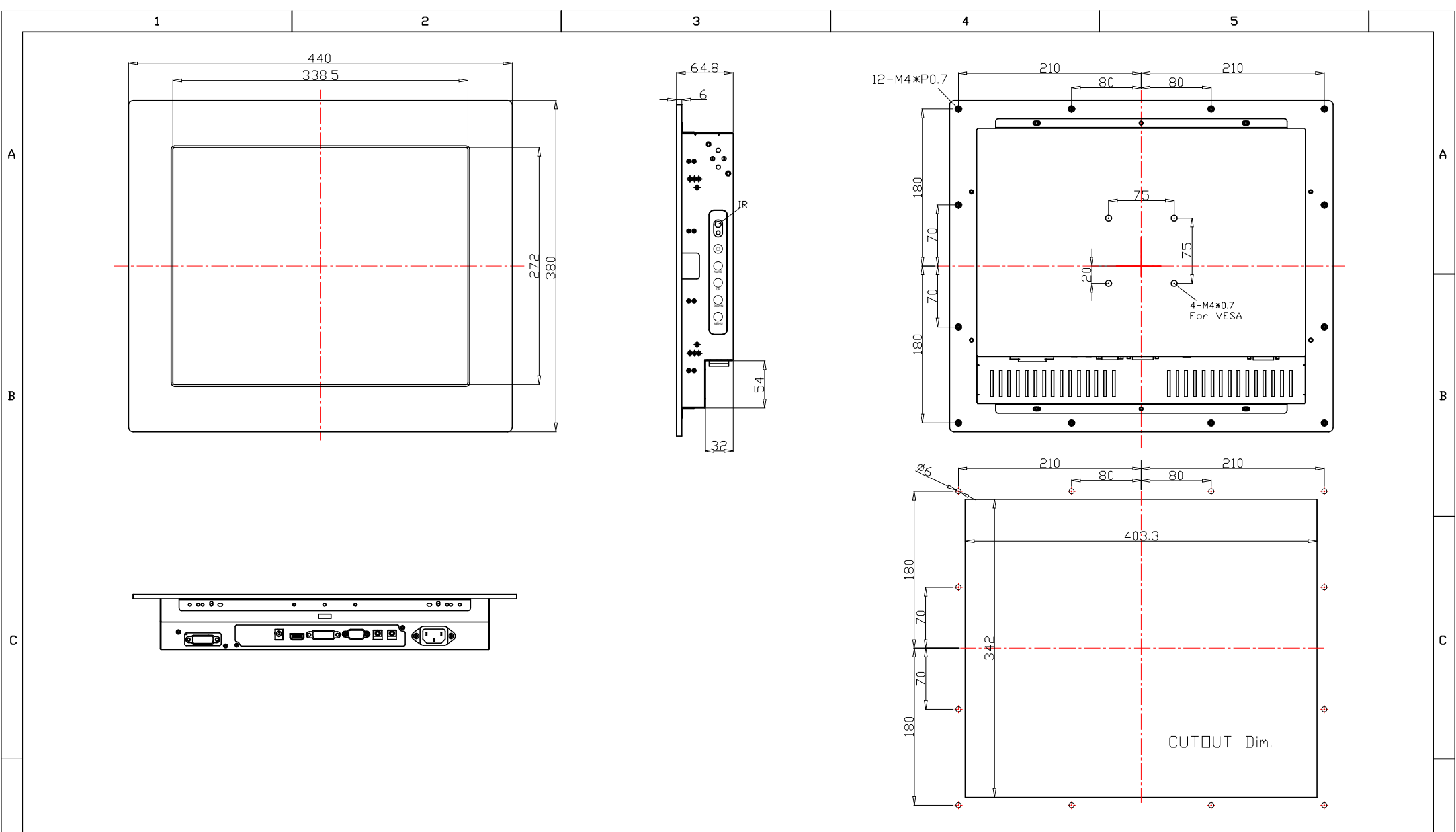
5



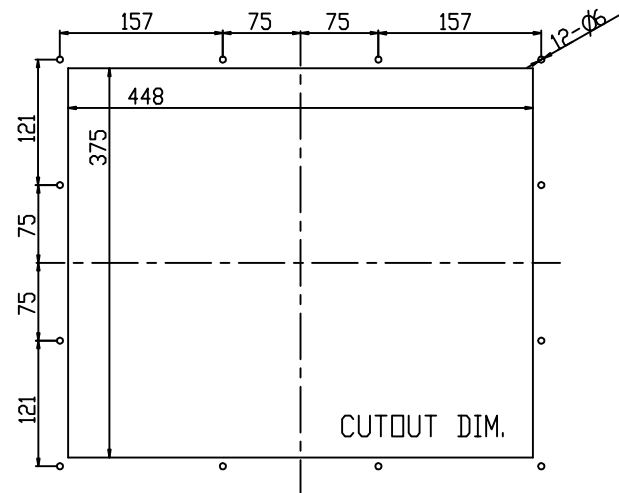
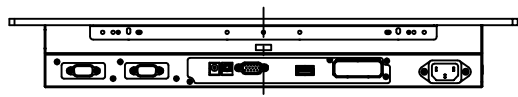
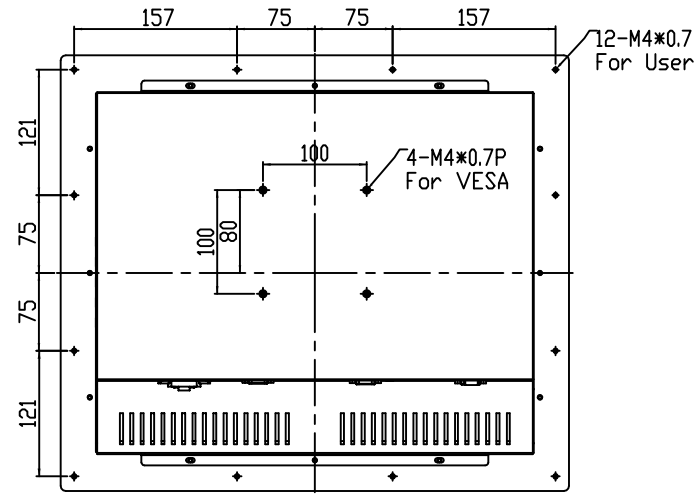
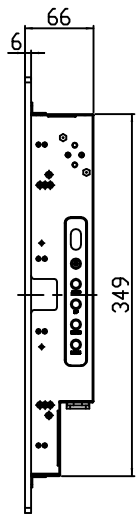
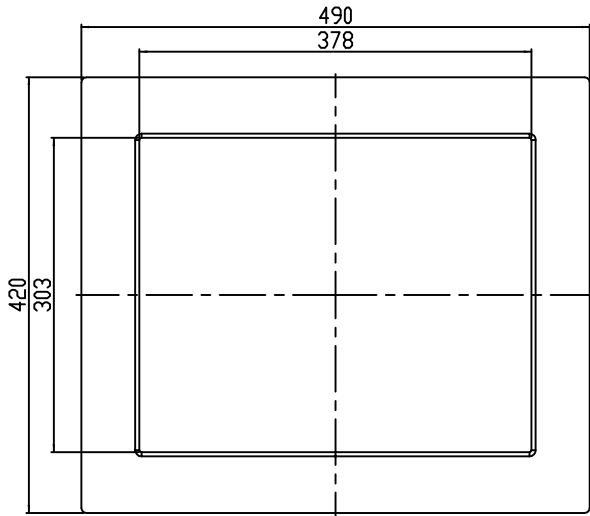
AD/BOARD		MODEL	PM1205		泓瑜科技有限公司 WINSONIC TECH. CO., LTD.					
INVERTER									PART NAME	
KEY PAD					VERSION		APPROVED		DRAWN JACK	
PANEL:		D		MATERIAL	METAL	DATE	2012-Mar-28	UNIT	MM	
1		2		3		4		5		



AD/BOARD		MODEL	PM1505			泓瑜科技有限公司 WINSONIC TECH. CO., LTD.					
INVERTER											
KEY PAD											
PANEL:		VERSION	MATERIAL	METAL	DATE	2012-Feb-10	PART NAME		ASSEMBLY		 SCALE 1:1 UNIT MM
		D							APPROVED		
1		2		3		4		5			



AD/BOARD		MODEL	PM1705			泓瑜科技有限公司 WINSONIC TECH. CO., LTD.						
INVERTER												VERSION
KEY PAD								DATE	2012-Apr-18	APPROVED		DRAWN
PANEL:		D	MATERIAL	METAL								



AD/BOARD		MODEL	PM1905			Winsonic Electronics. Co., Ltd.					
INVERTER						VERSION	PART NAME	ASSEMBLY			
KEY PAD								D	MATERIAL	DATE	2012-Nov-27
PANEL		METAL	APPROVED	DRAWN	Jack	UNIT	MM				

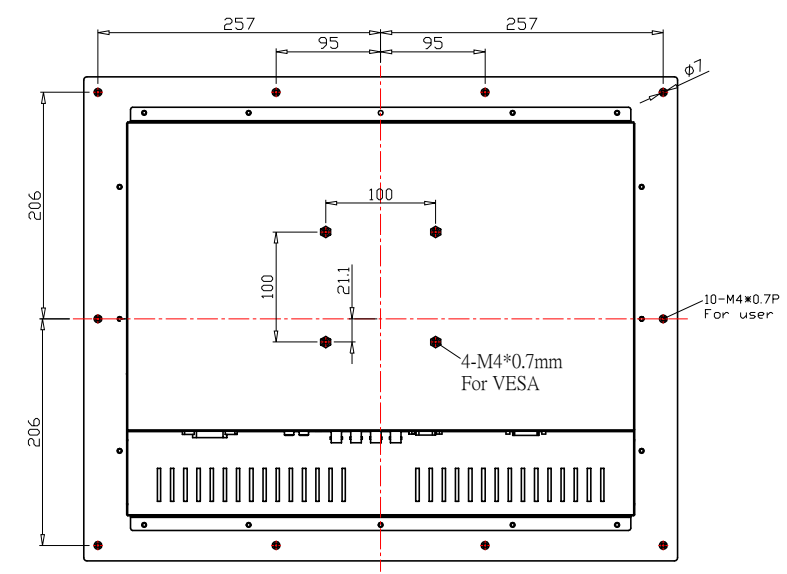
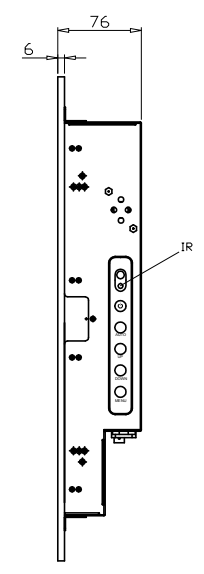
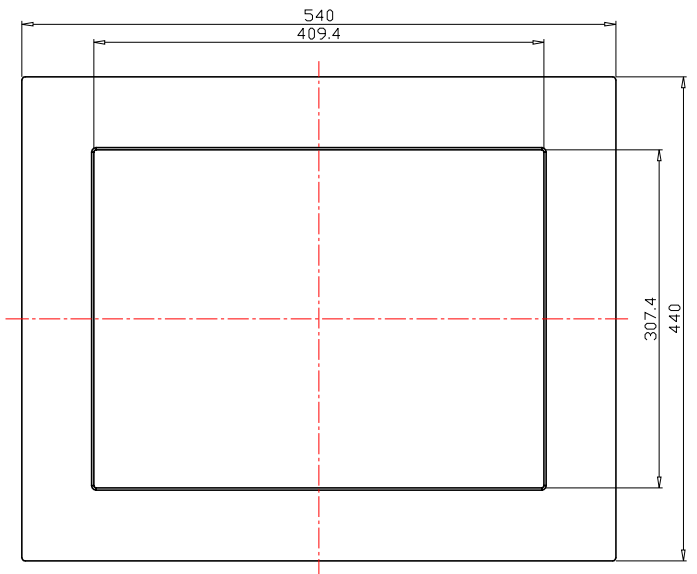
1

2

3

4

5



A

B

C

A

B

C

D

D

AD/BOARD		MODEL	PM2005			泓瑜科技有限公司 WINSONIC TECH. CO., LTD.					
INVERTER											PART NAME
KEY PAD						VERSION	MATERIAL	METAL	DATE	2012-Mar-19	APPROVED
PANEL:		D									
1		2		3		4		5			

1 2 3 4 5

A

B

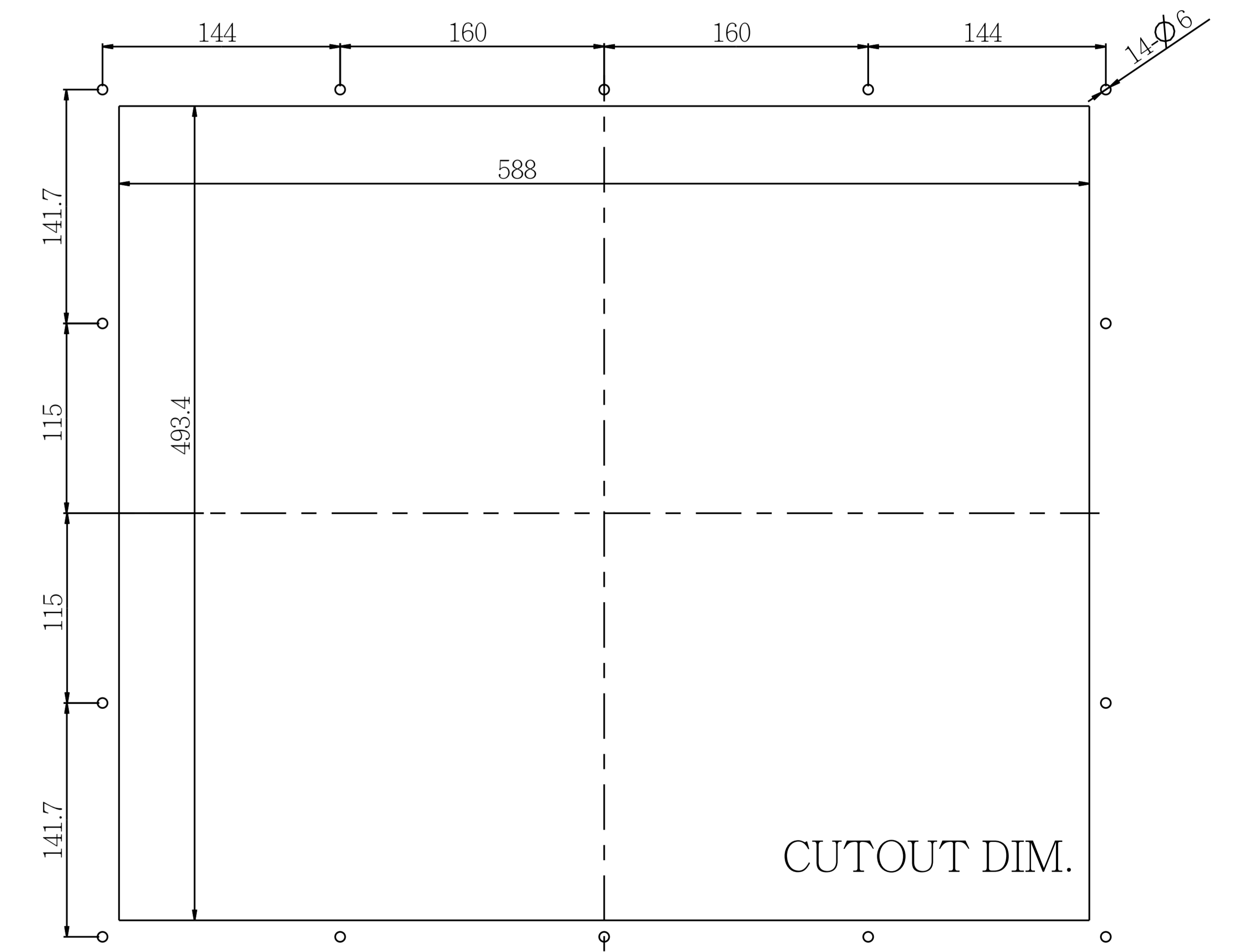
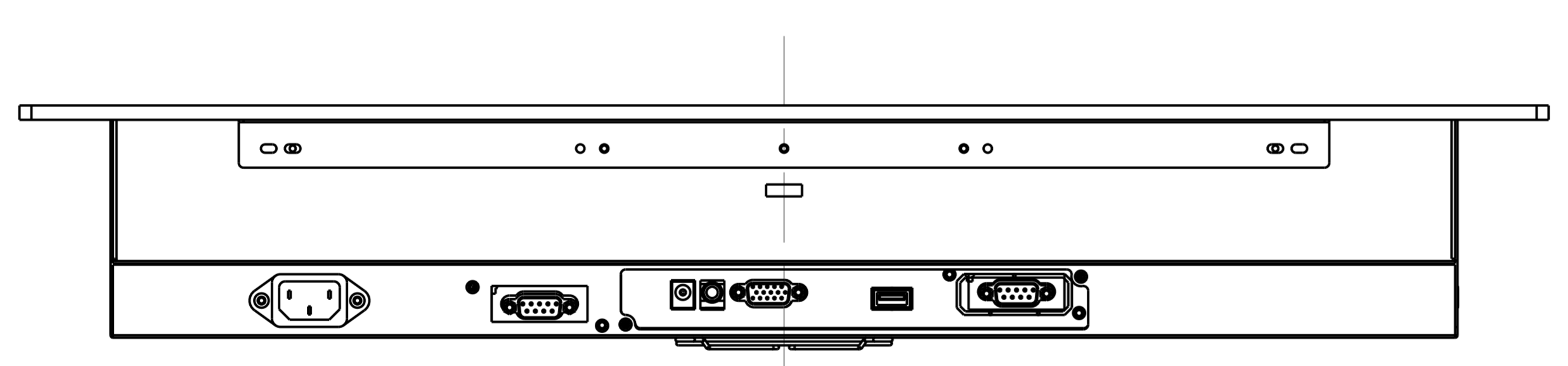
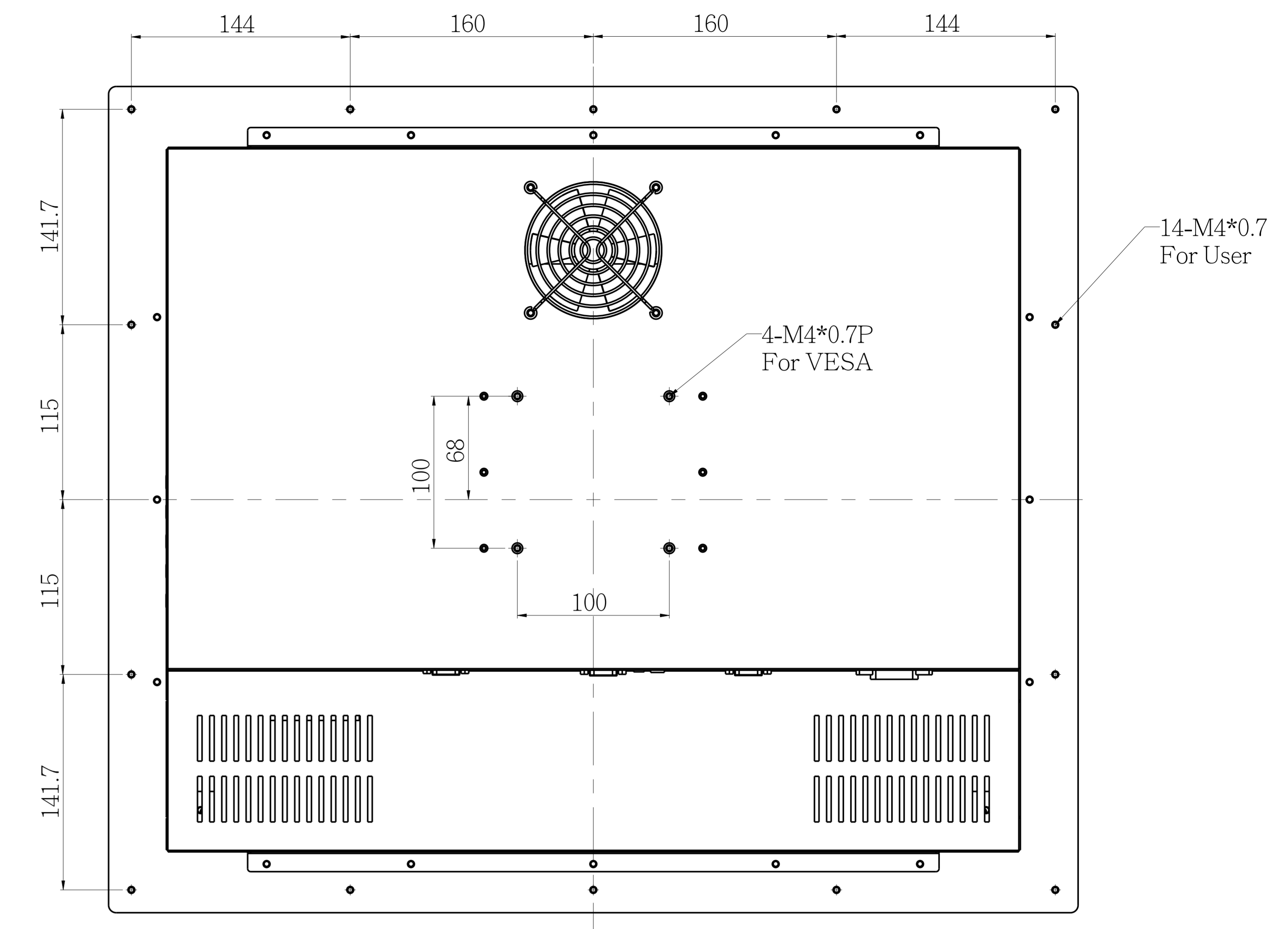
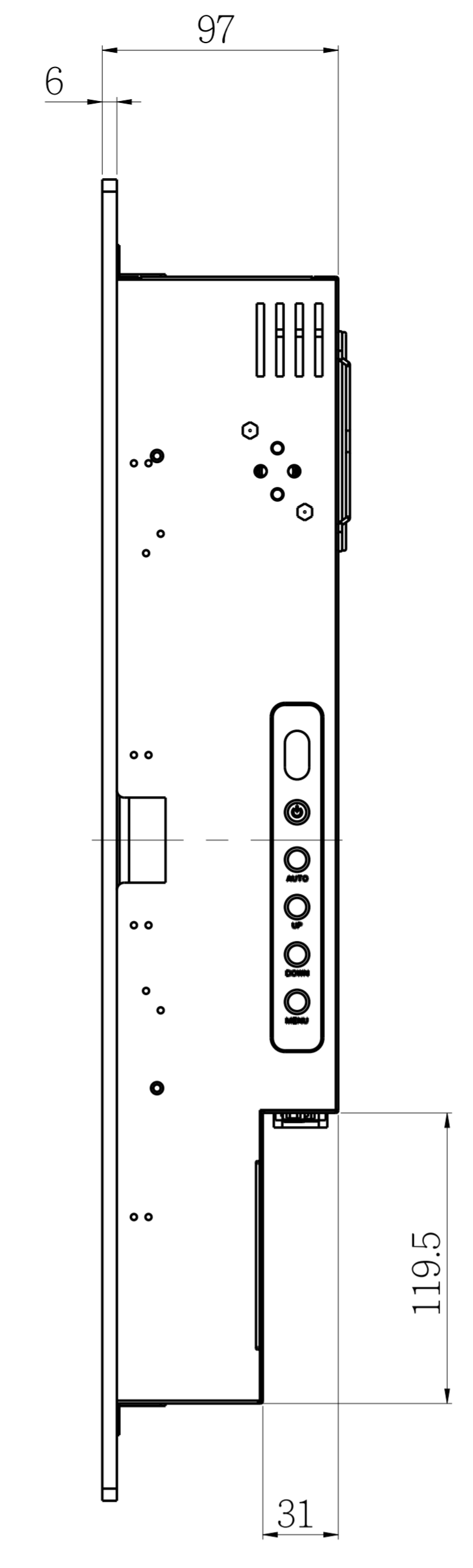
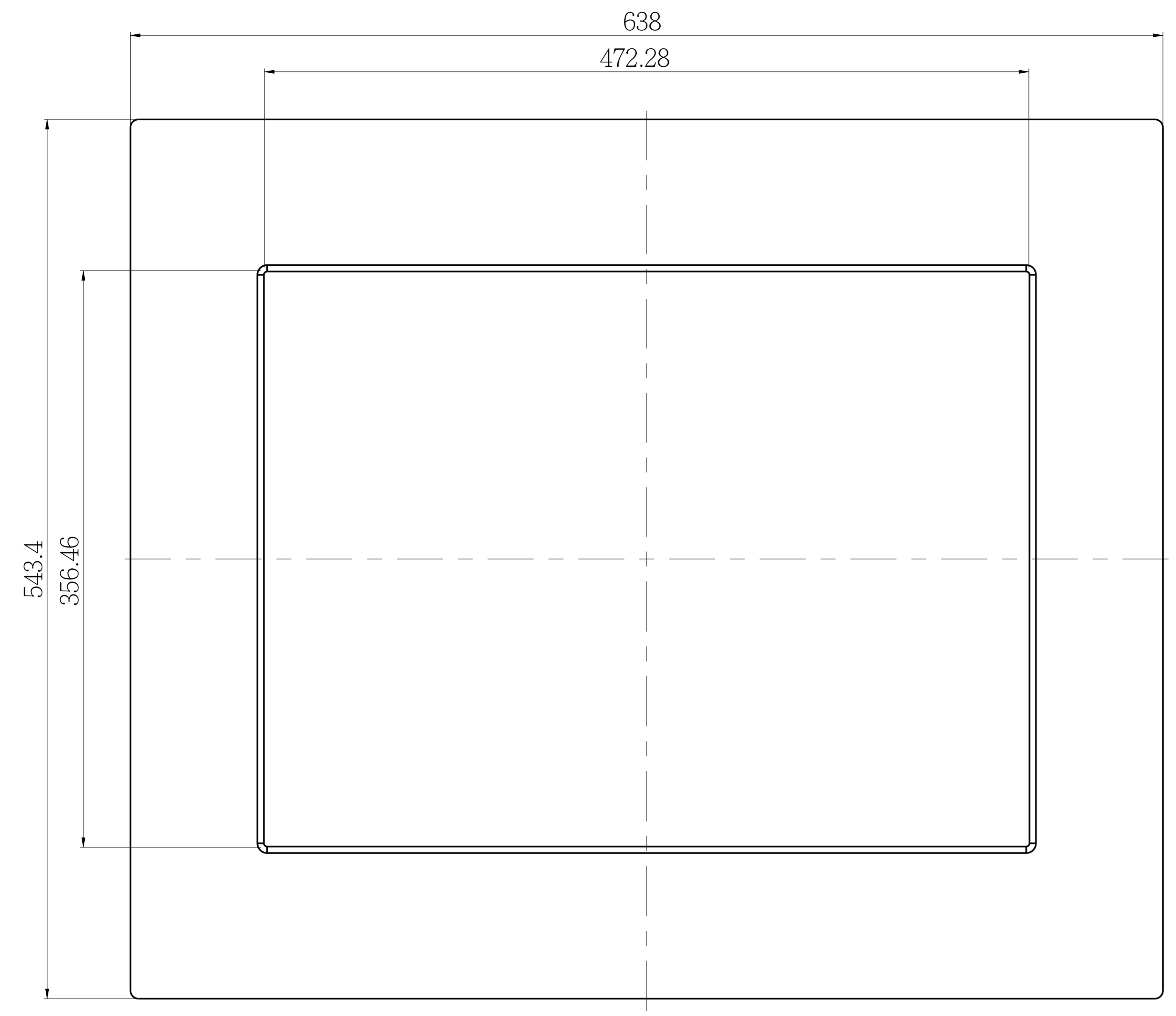
C

A

B

C

D



AD/BOARD		MODEL PM2316			泓瑜科技有限公司 WINSONIC TECH. CO., LTD.				
INVERTER									
KEY PAD									
PANEL:	VERSION	MATERIAL	METAL	DATE	2012-Apr-20	PART NAME	ASSEMBLY		SCALE 0.500
	V1					APPROVED	DRAWN	Chris	UNIT MM

1 2 3 4 5