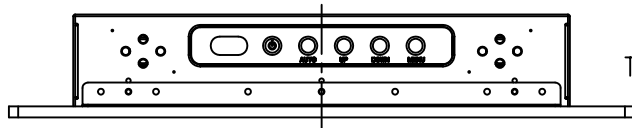
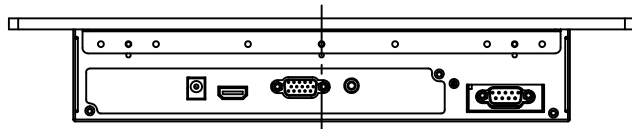
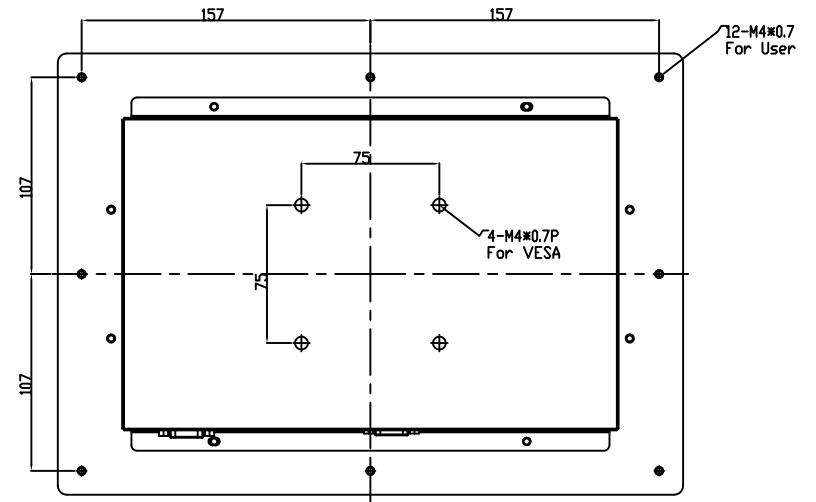
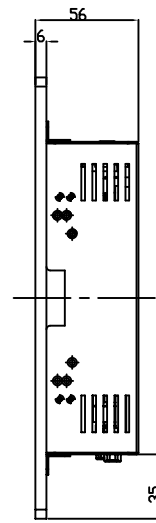
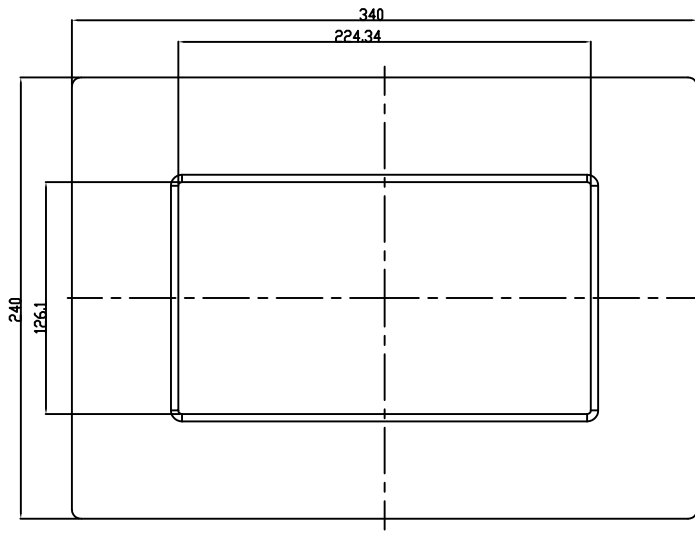
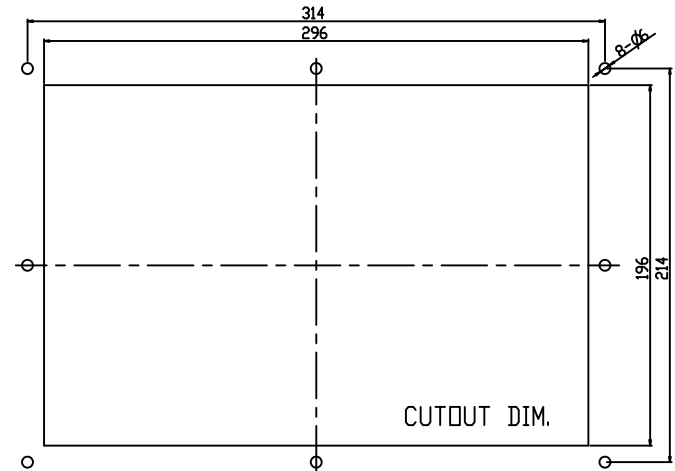


AD/BOARD		MODEL		PM0706		泓瑜科技有限公司 WINSONIC TECH. CO., LTD.			
INVERTER		PART NO.		METAL		DATE		2012-May-07	
KEY PAD		VERSION		MATERIAL		DATE		2012-May-07	
PANEL		D		MATERIAL		DATE		2012-May-07	
PART NAME		ASSEMBLY		APPROVED		DRAWN		Jack	
SCALE		0.800		NUIT		MM			



TOP VIEW



AD/BOARD		MODEL	PM1016			泓瑜科技有限公司 WINSONIC TECH. CO., LTD.			
INVERTER									
KEY PAD									
PANEL:	VERSION	MATERIAL	METAL	DATE	2012-Feb-01	PART NAME	ASSEMBLY	SCALE 1.000 UNIT MM	
	D					APPROVED	DRAWN		Chris

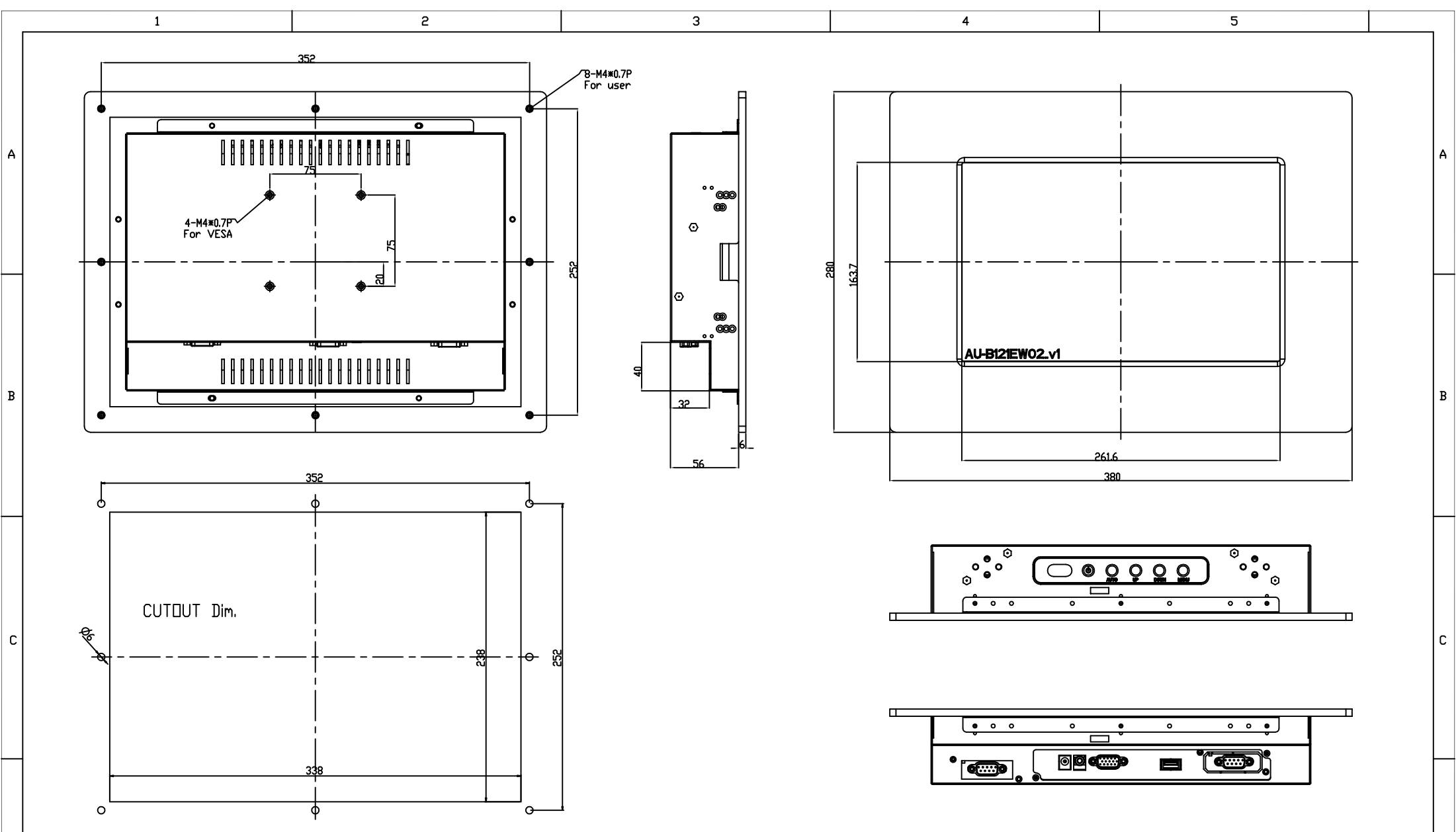
1

2

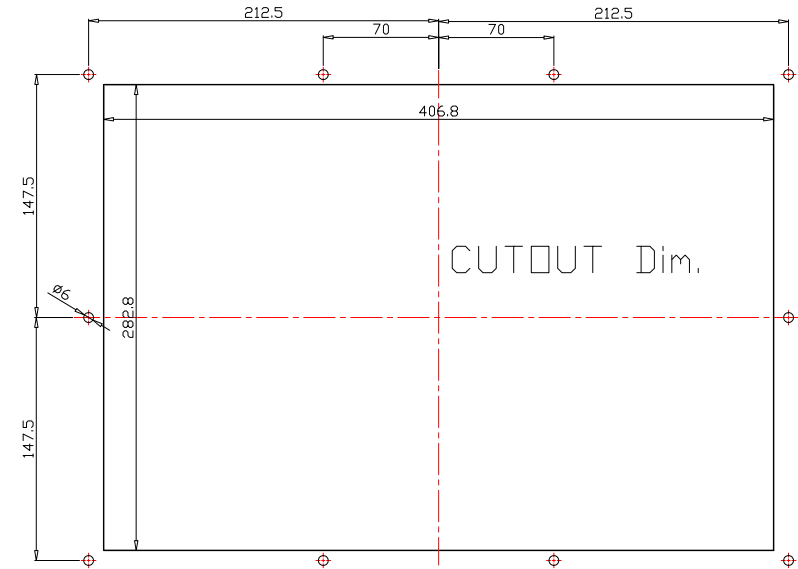
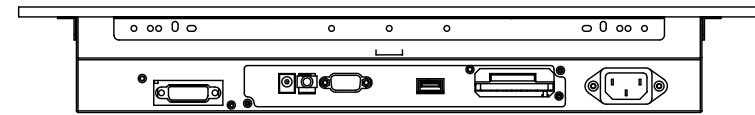
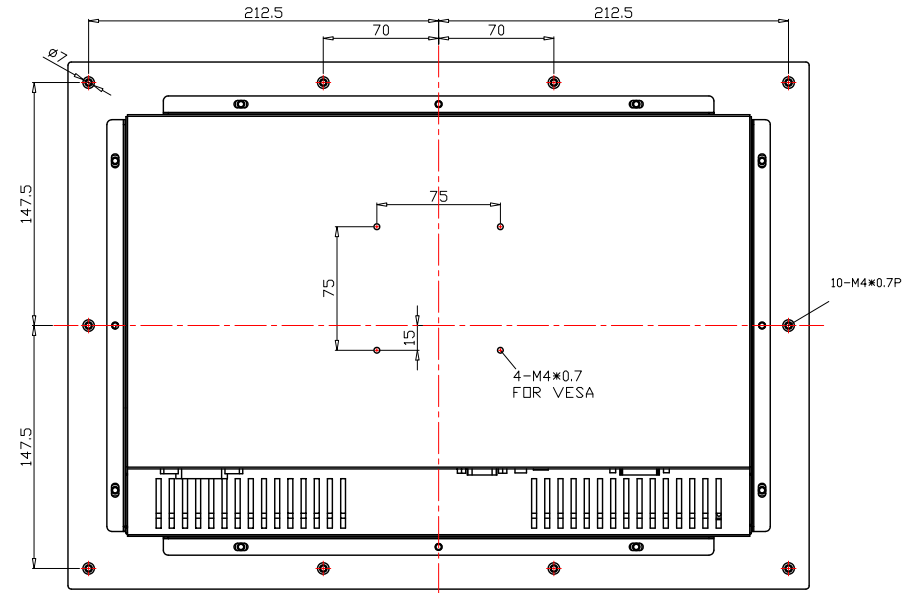
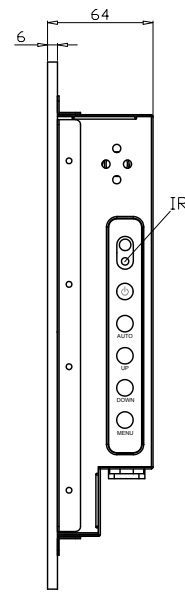
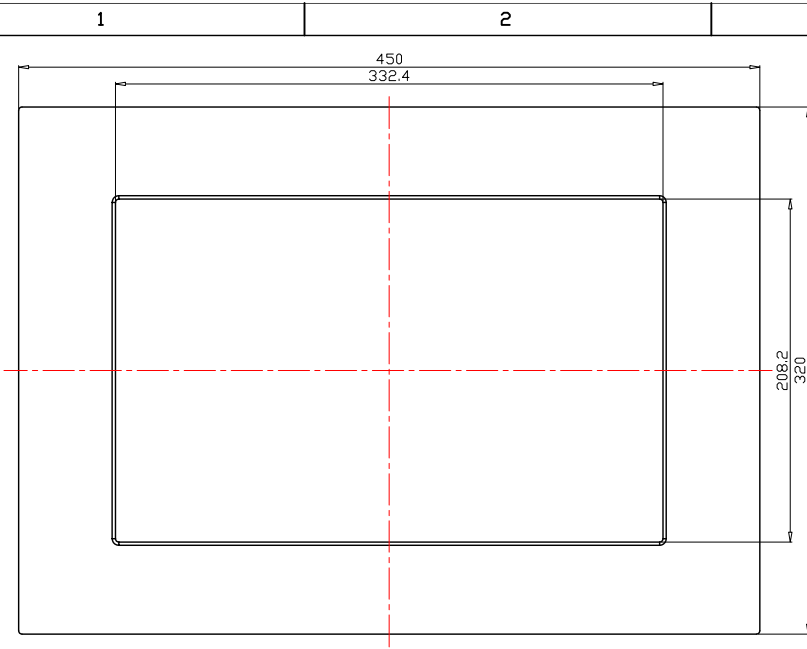
3

4

5



AD/BOARD		MODEL	PM12W5			泓瑜科技有限公司 WINSONIC TECH. CO., LTD.							
INVERTER						MATERIAL	DATE	2012-May-08	PART NAME	ASSEMBLY		⊕	≡
KEY PAD									APPROVED	DRAWN	Jack	SCALE	1000
PANEL:		VERSION	METAL										
		D											
1		2		3		4		5					



AD/BOARD		MODEL	PM1545D	
INVERTER		PART NO.		
KEY PAD		MATERIAL	SECC	DATE
PANEL:				2012-FEB-01

泓瑜科技有限公司 WINSONIC TECH. CO., LTD.			
PART NAME	ASSEMBLY		
APPROVED		DRAWN	JACK
SCALE	1:1	UNIT	MM

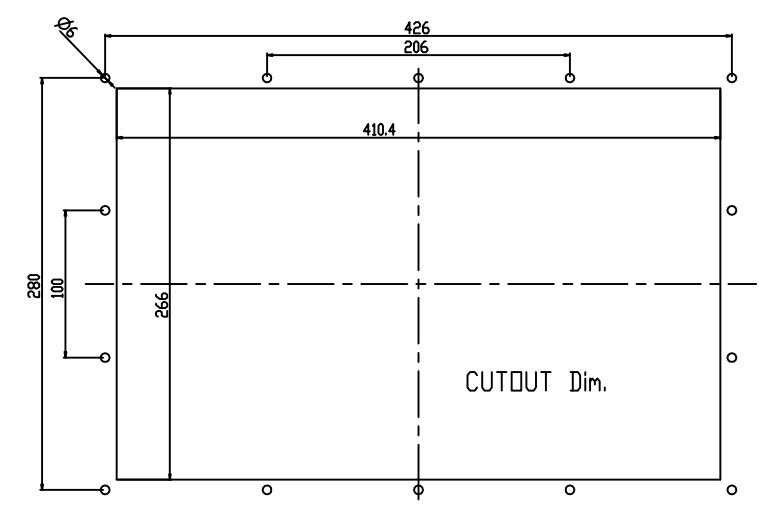
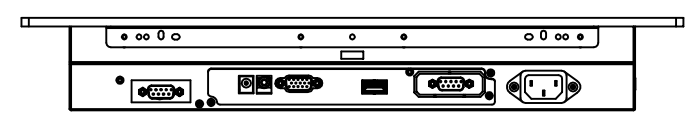
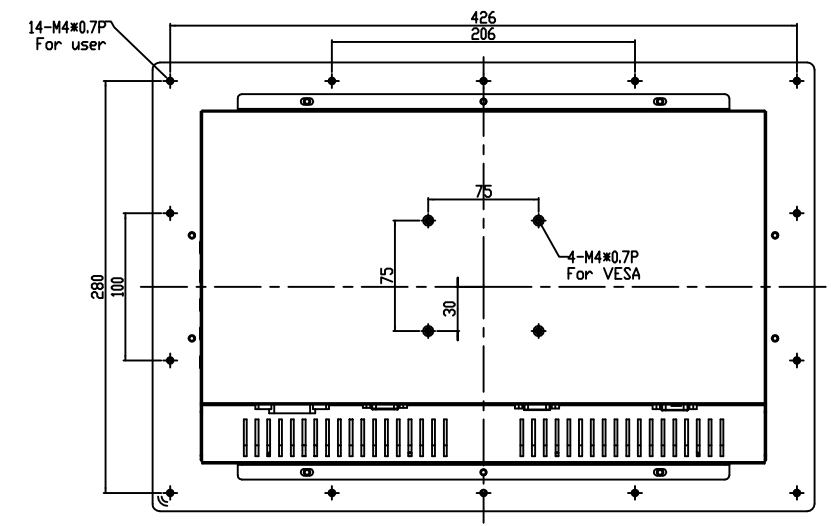
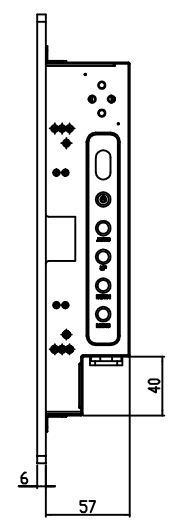
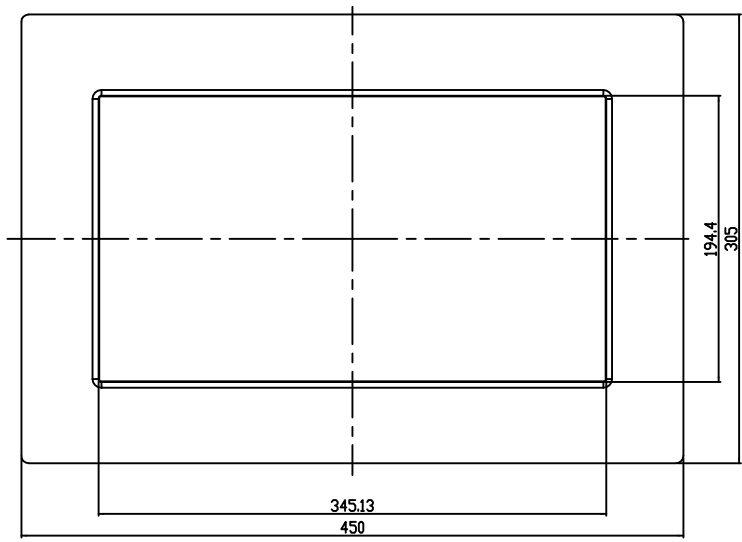
1

2

3

4

5



AD/BOARD		MODEL	PM1565			泓瑜科技有限公司 WINSONIC TECH. CO., LTD.					
INVERTER											
KEY PAD						VERSION	MATERIAL	METAL	DATE	2012-Mar-19	APPROVED
PANEL:		D									

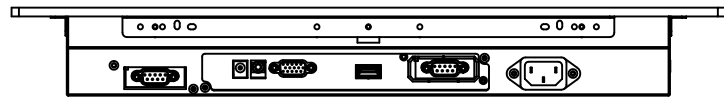
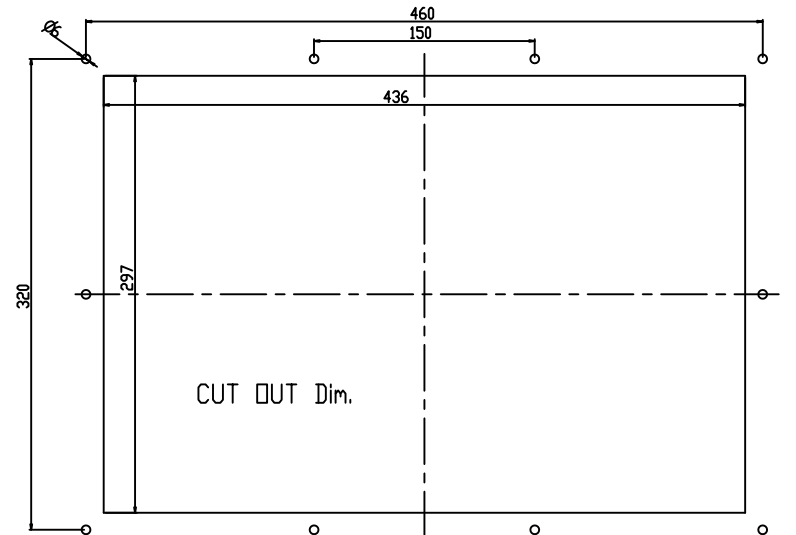
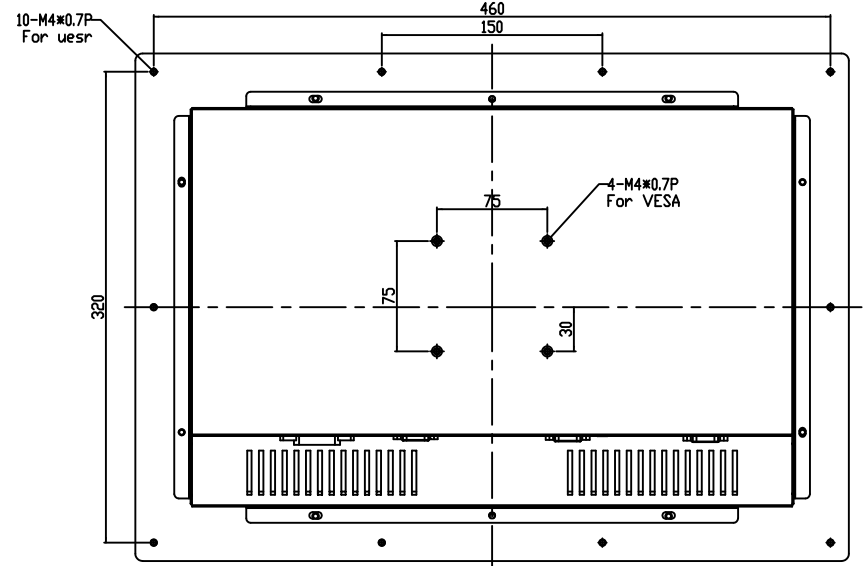
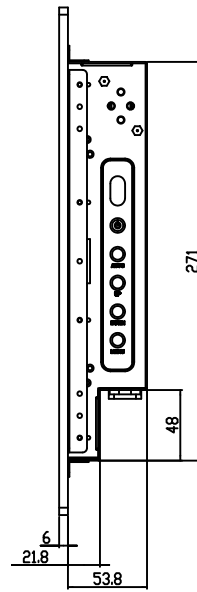
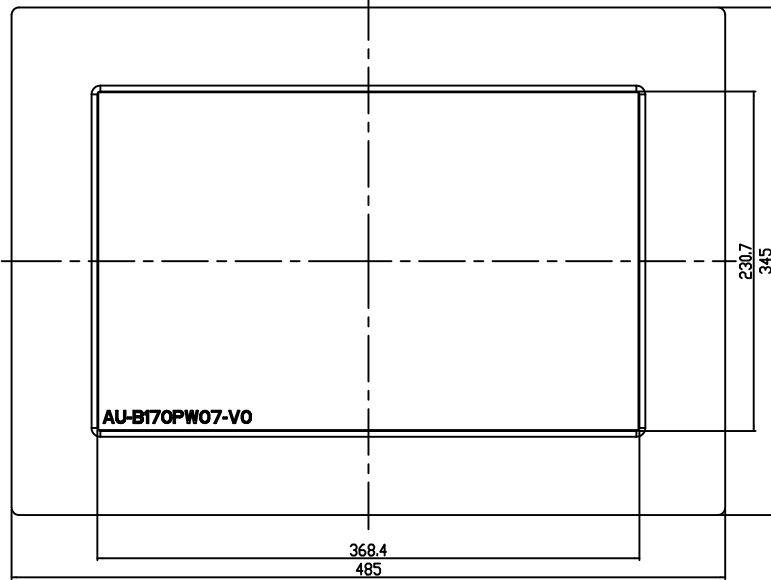
A

B

C

D

1 2 3 4 5



AD/BOARD		MODEL	PM17W5D	泓瑜科技有限公司 WINSONIC TECH. CO., LTD.				
INVERTER		PART NO.						
KEY PAD		MATERIAL	METAL	DATE	2012-Jan-19	PART NAME	ASSEMBLY	 SCALE 0.800
PANEL:				Jack	APPROVED	DRAWN	UNIT	

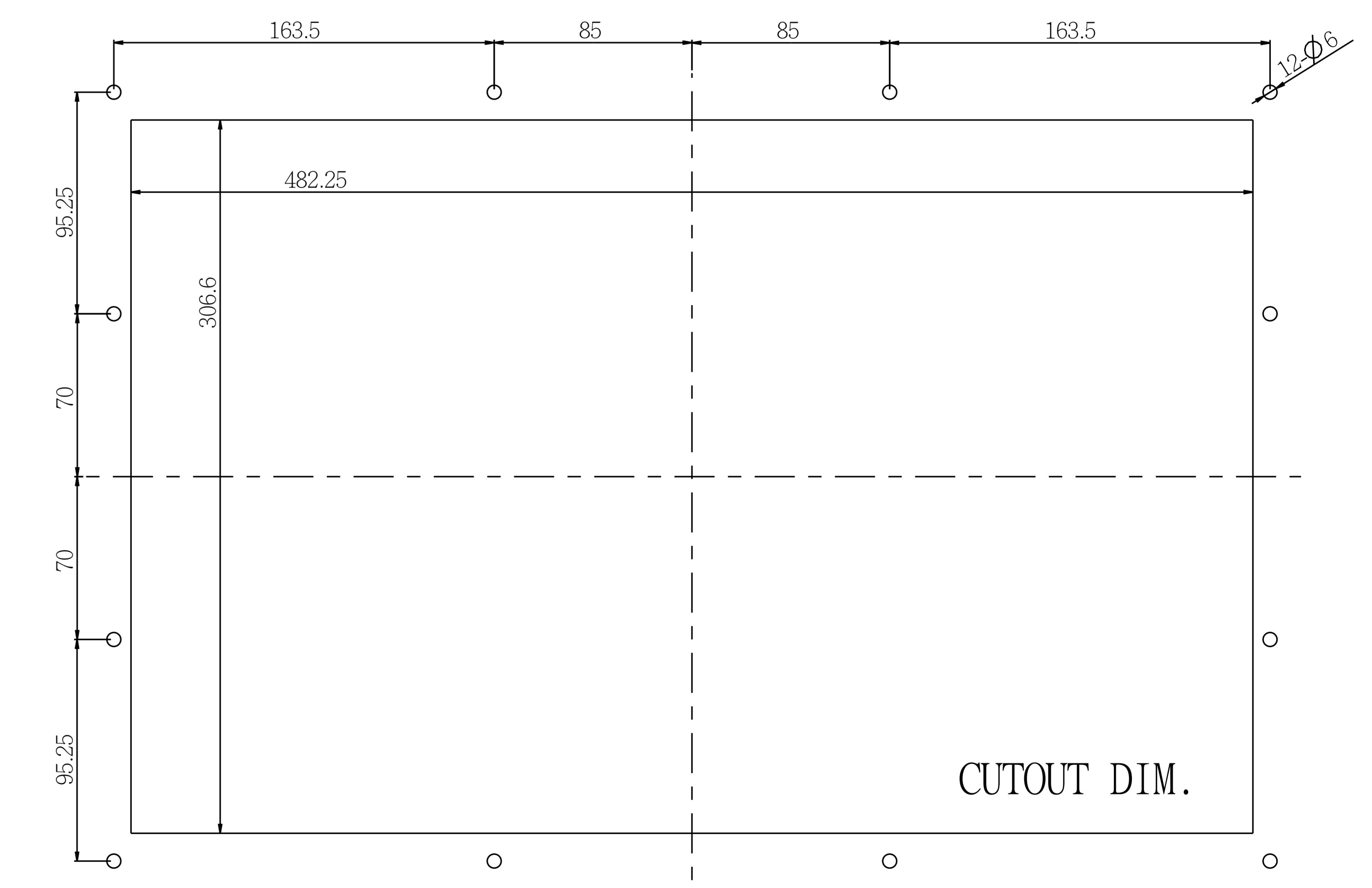
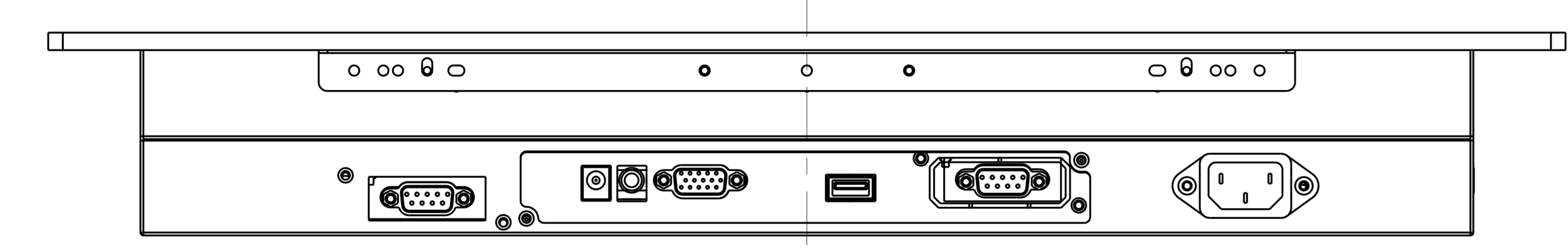
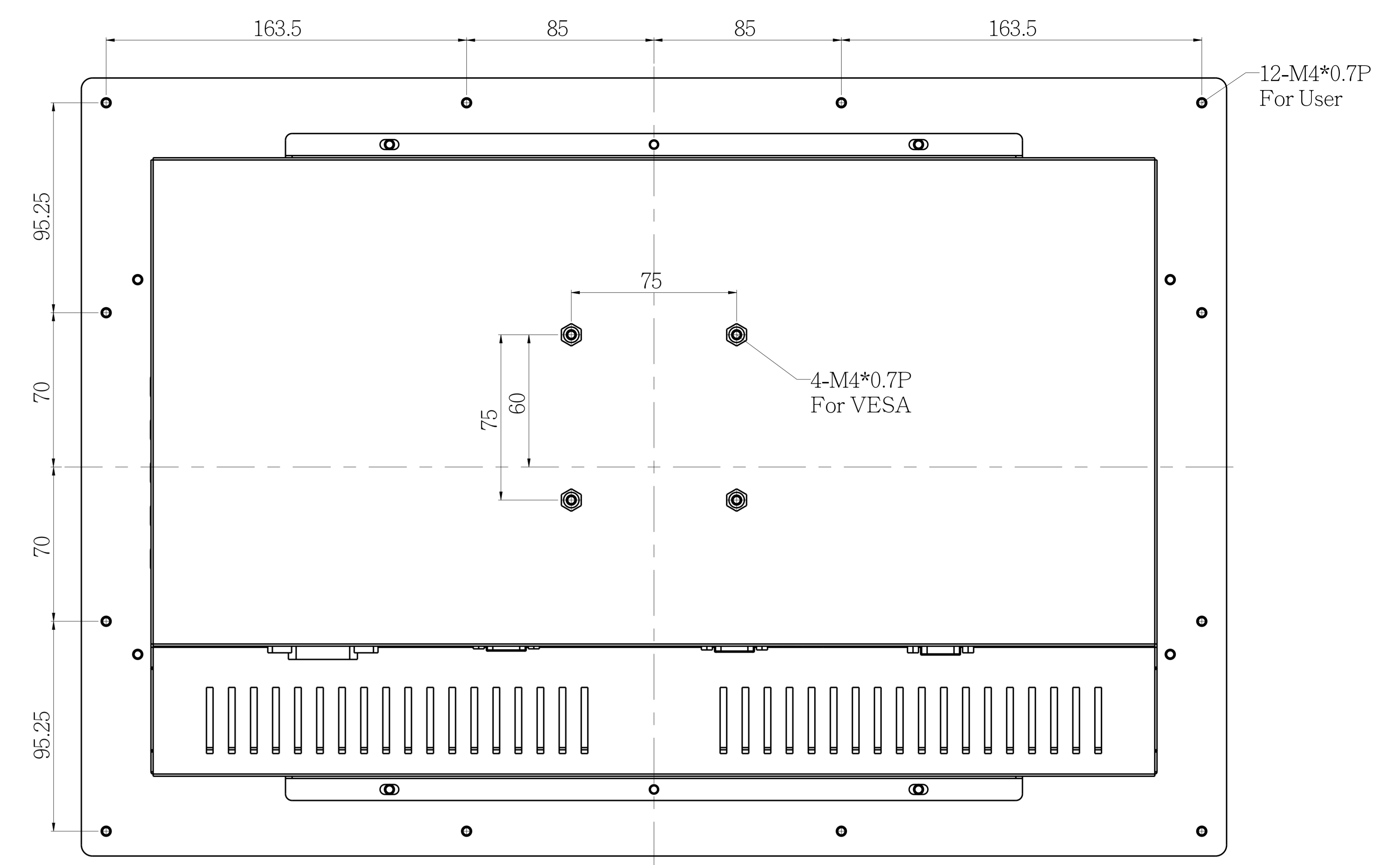
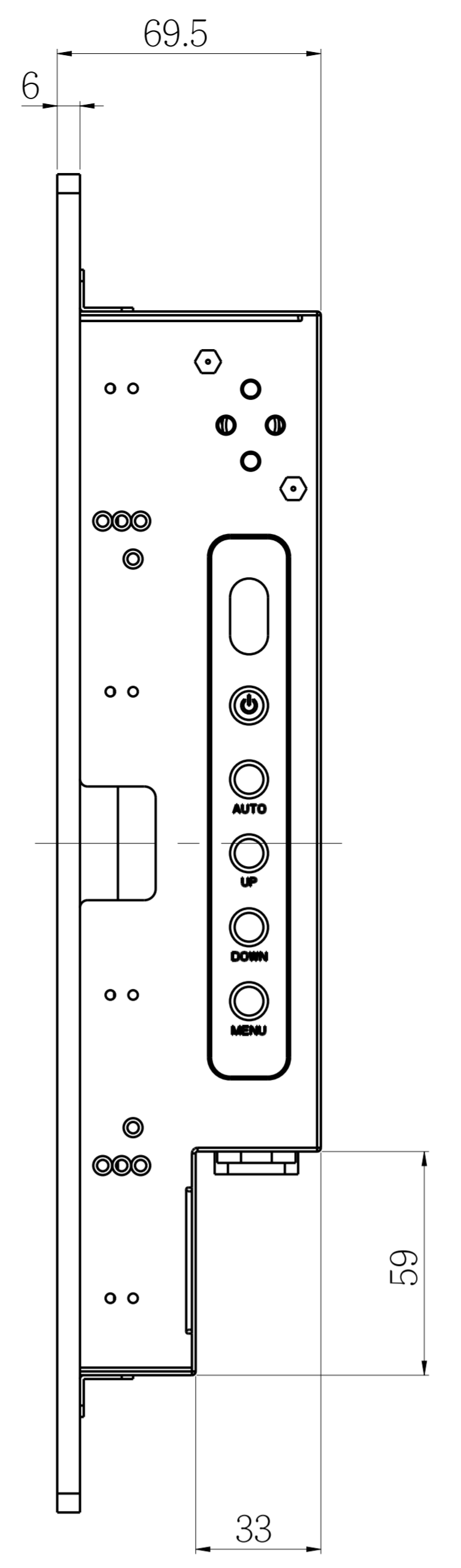
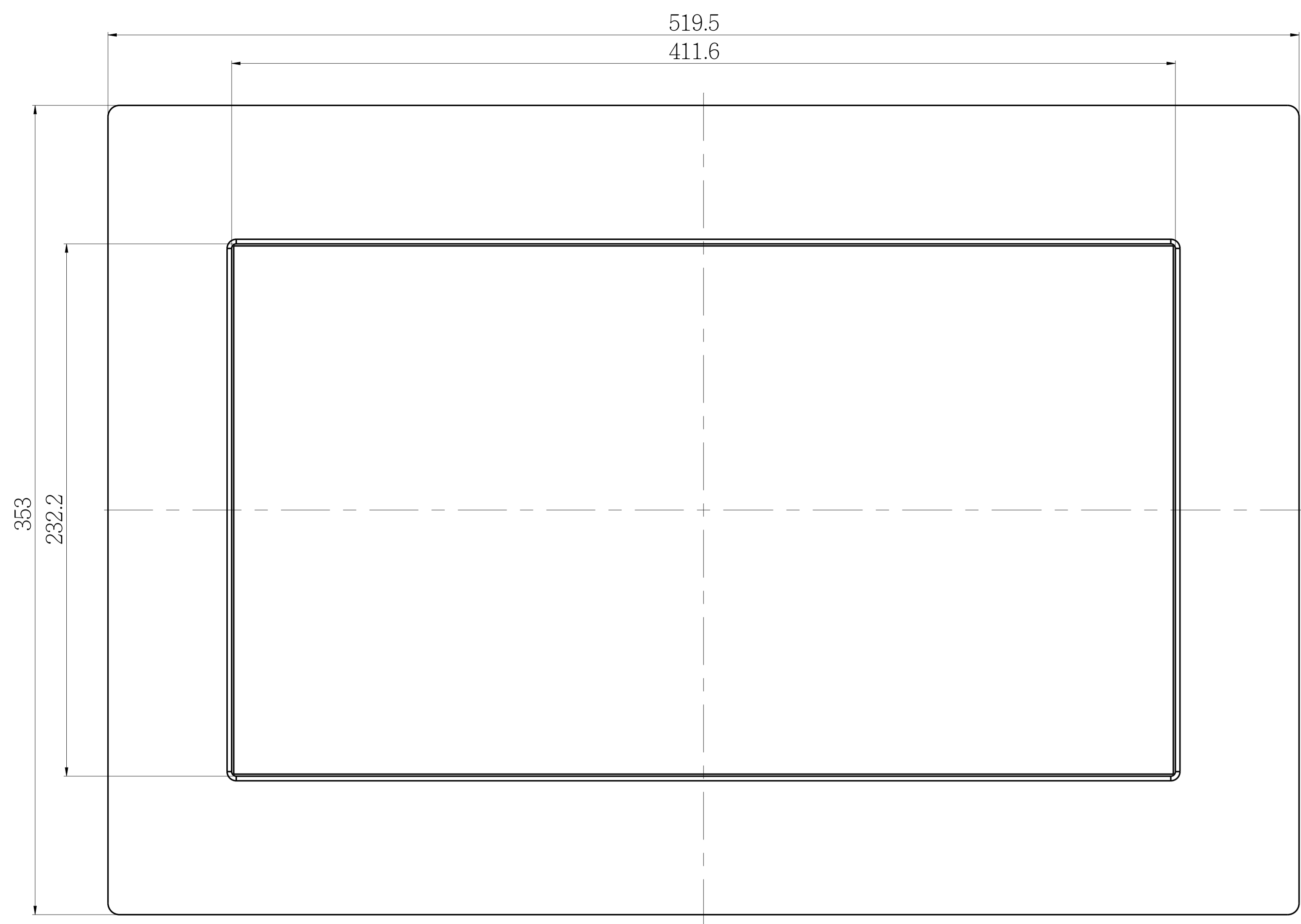
1

2

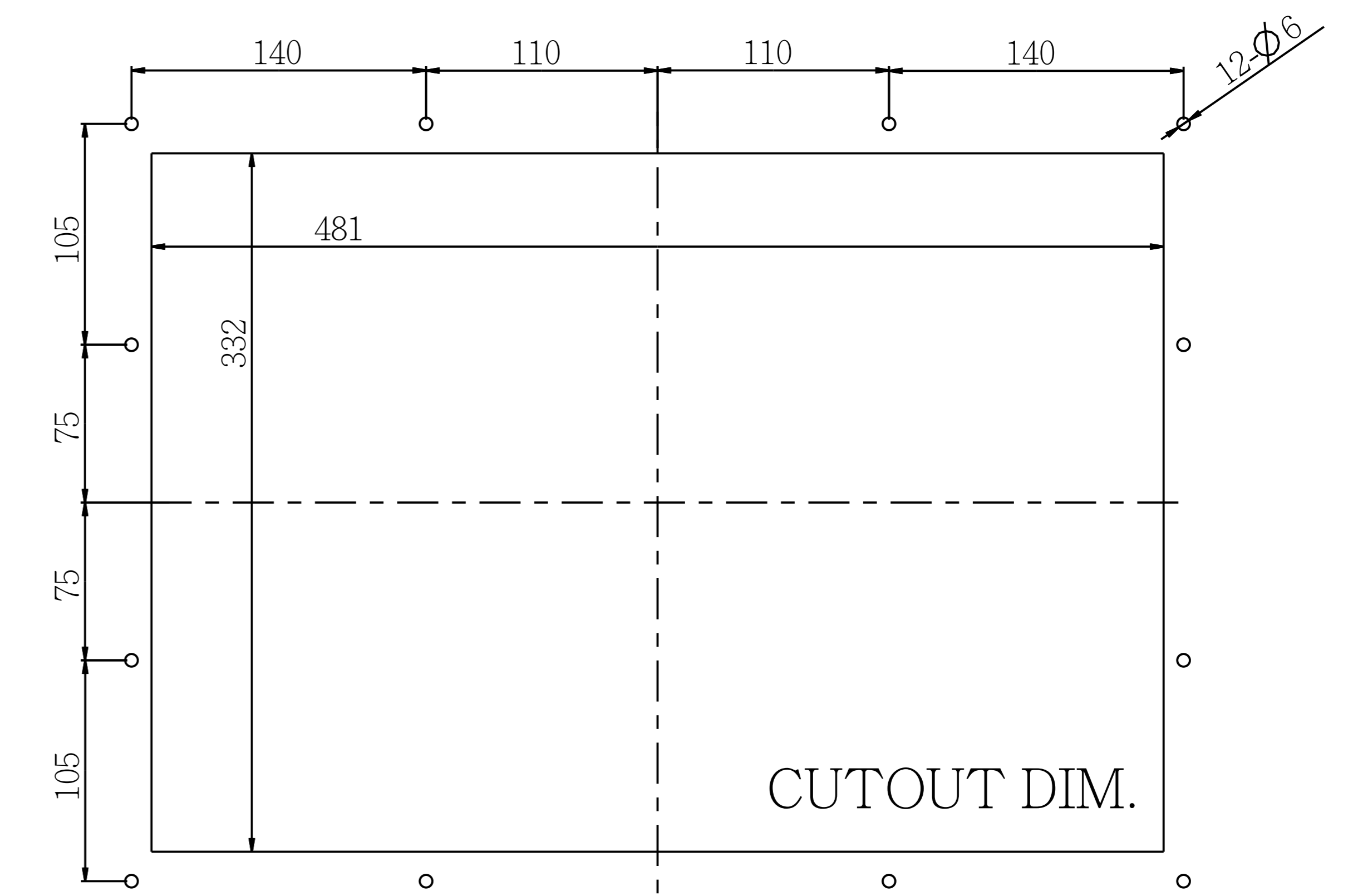
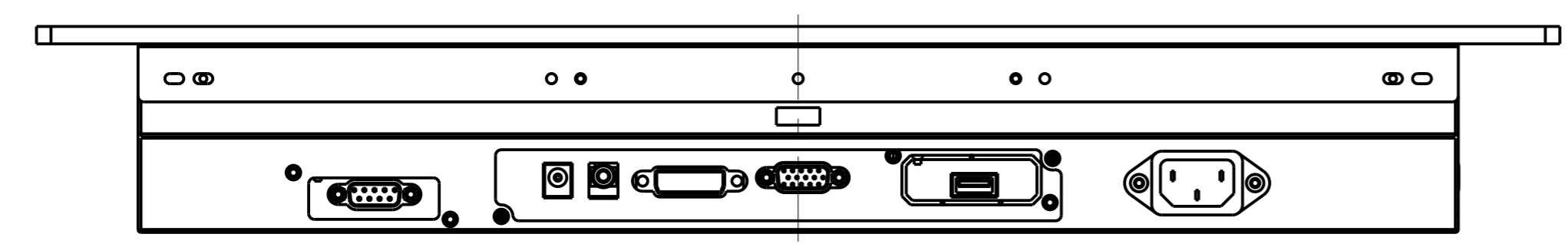
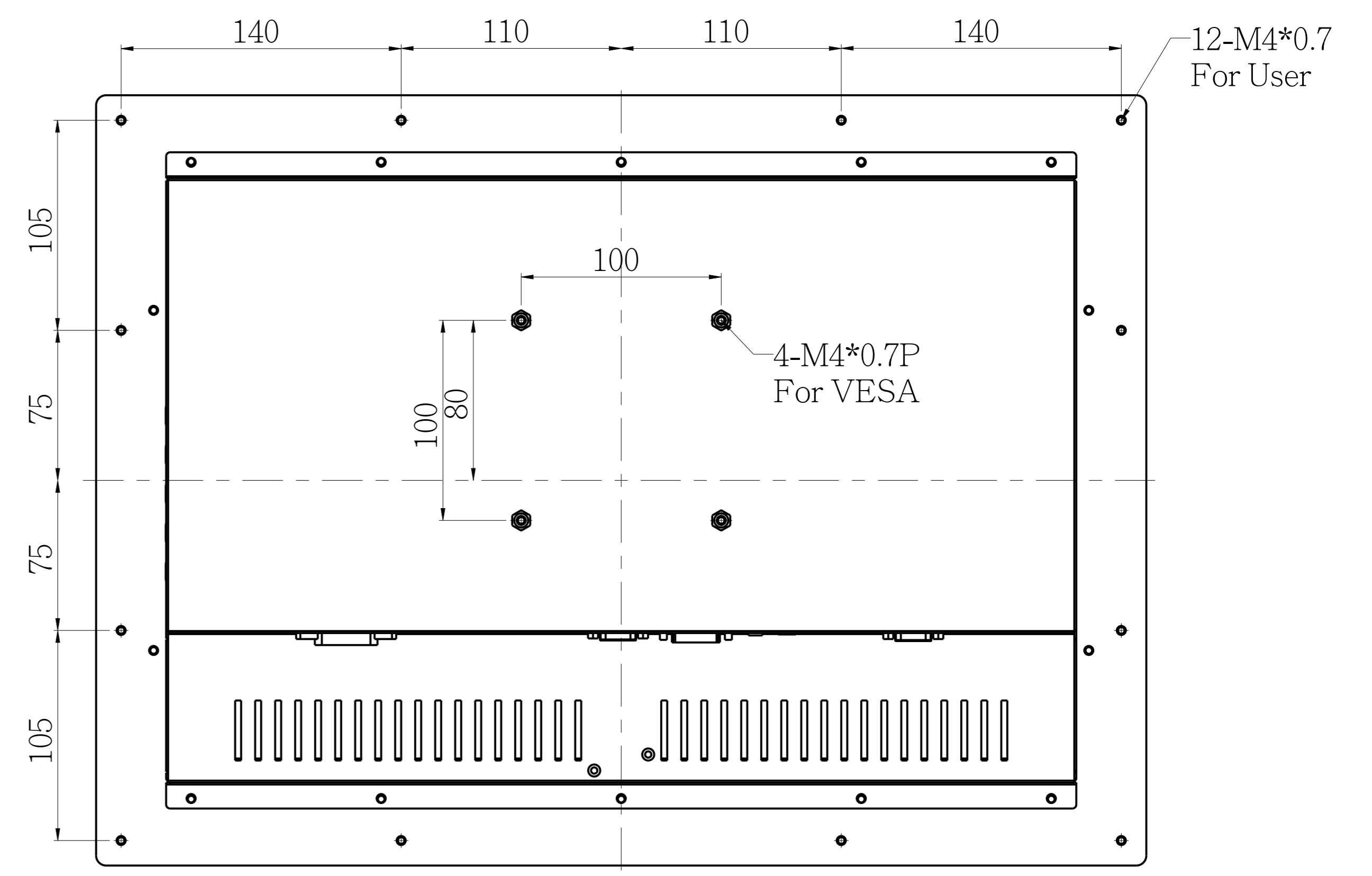
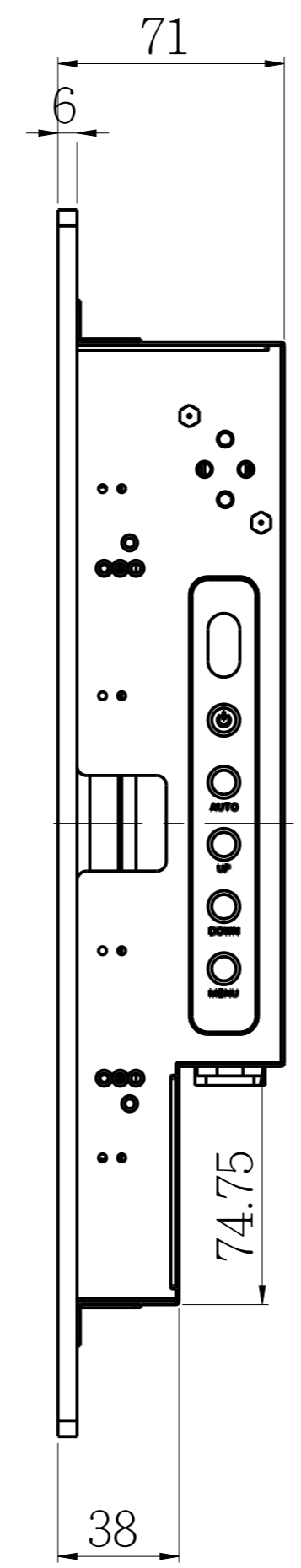
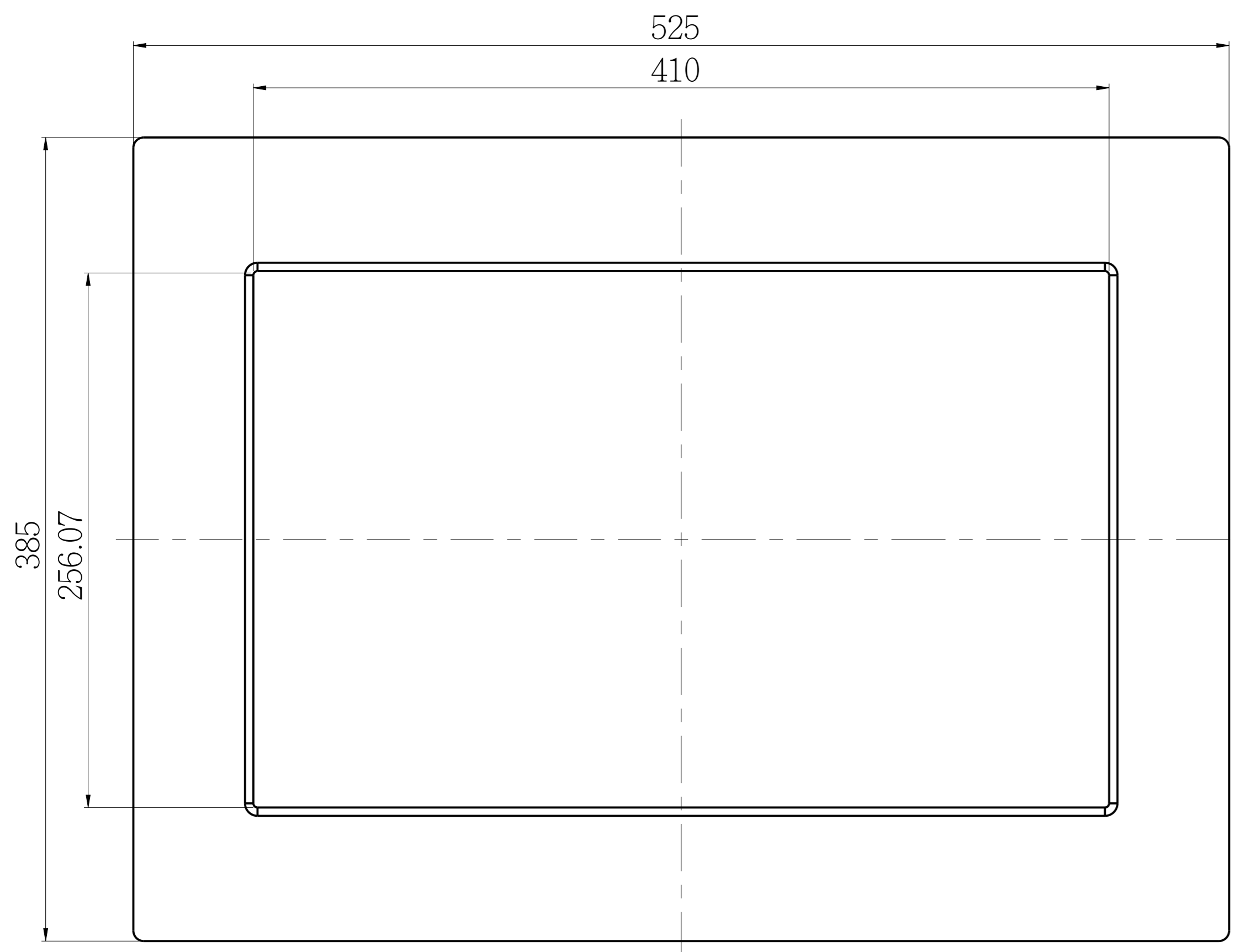
3

4

5



AD/BOARD		MODEL	PM1855				泓瑜科技有限公司 WINSONIC TECH. CO., LTD.				
INVERTER											
KEY PAD											
PANEL:	VERSION	MATERIAL	METAL	DATE	2012-Apr-09	PART NAME	ASSEMBLY				
	D					APPROVED	DRAWN	Chris	SCALE	0.800	
										UNIT	MM



AD/BOARD		MODEL		PM19W5		Winsonic Electronics. Co., Ltd.											
INVERTER																	
KEY PAD																	
PANEL:		VERSION		MATERIAL		METAL		DATE		2012-Oct-19		PART NAME		ASSEMBLY			
D		D										APPROVED		DRAWN		Chris	

1

2

3

4

5

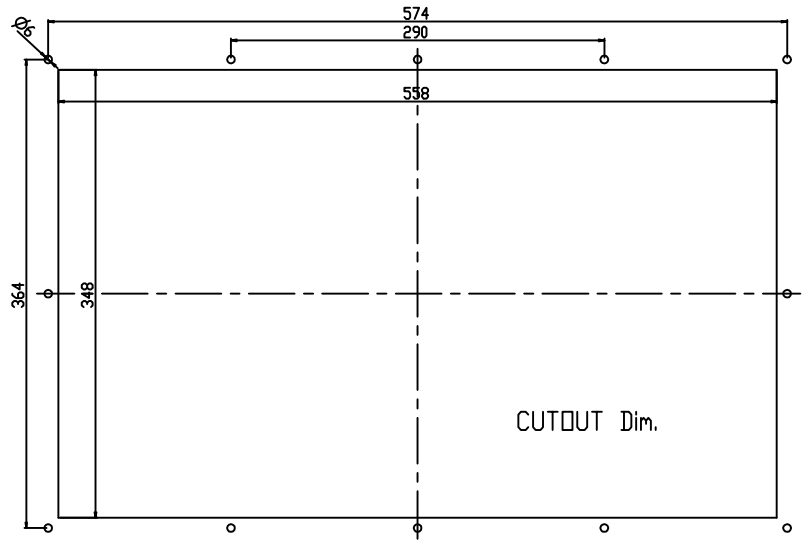
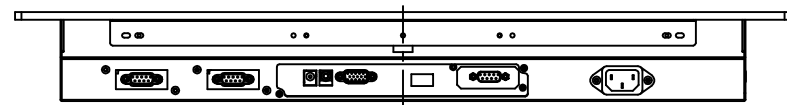
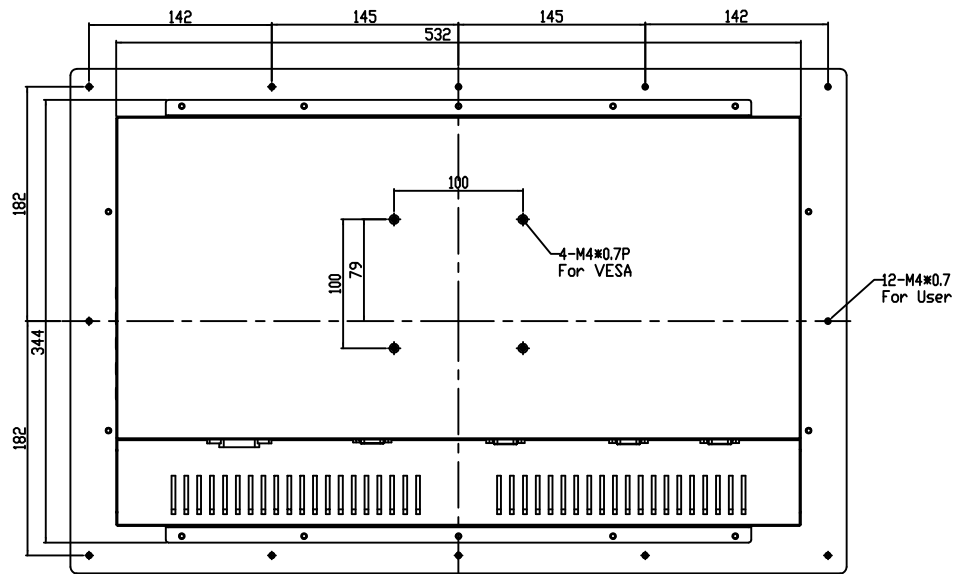
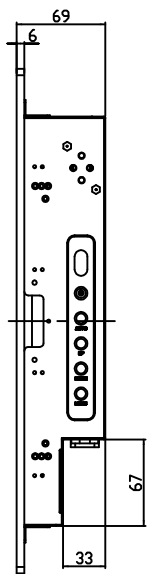
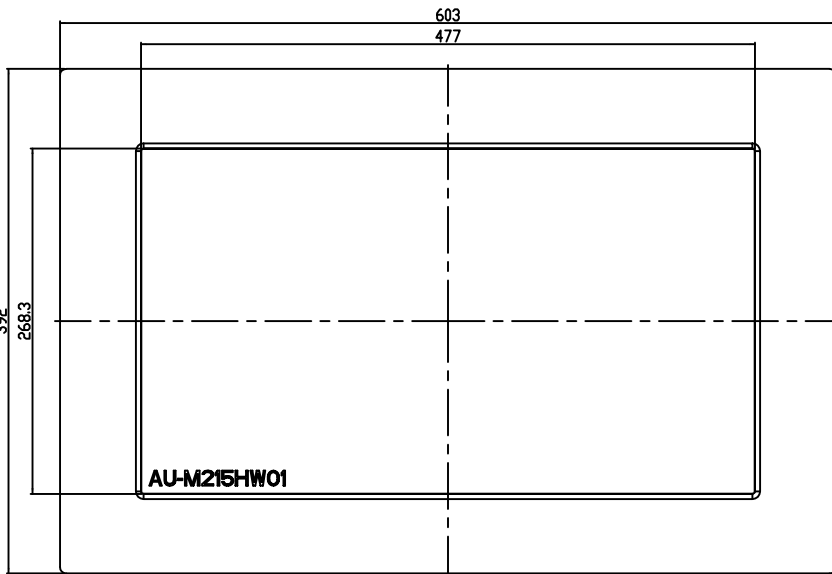
1 2 3 4 5

A

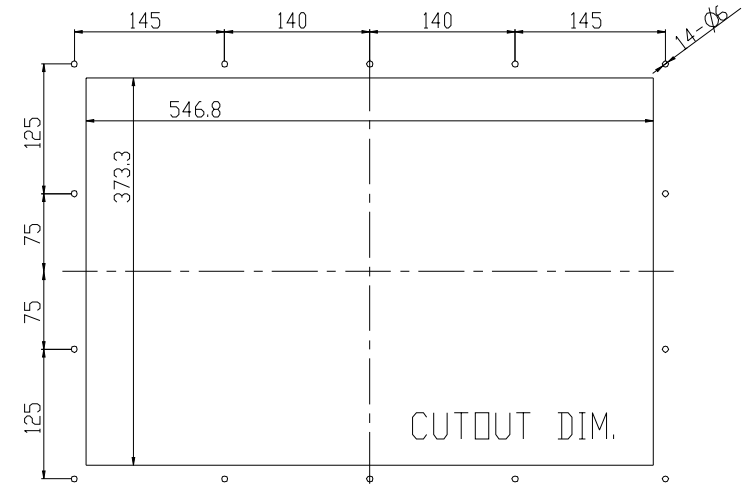
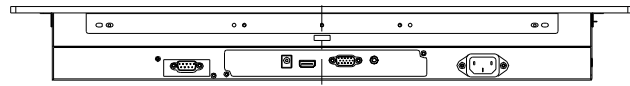
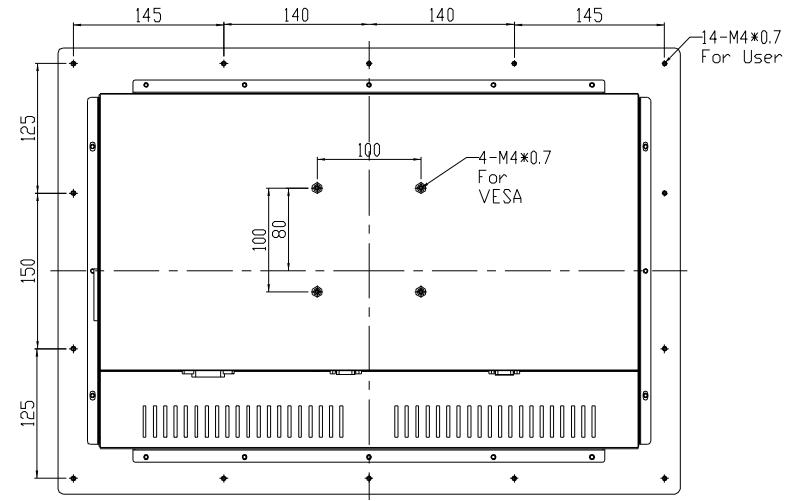
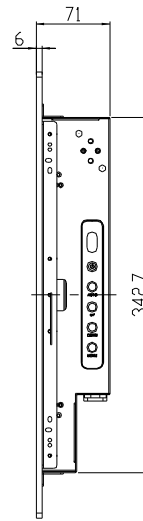
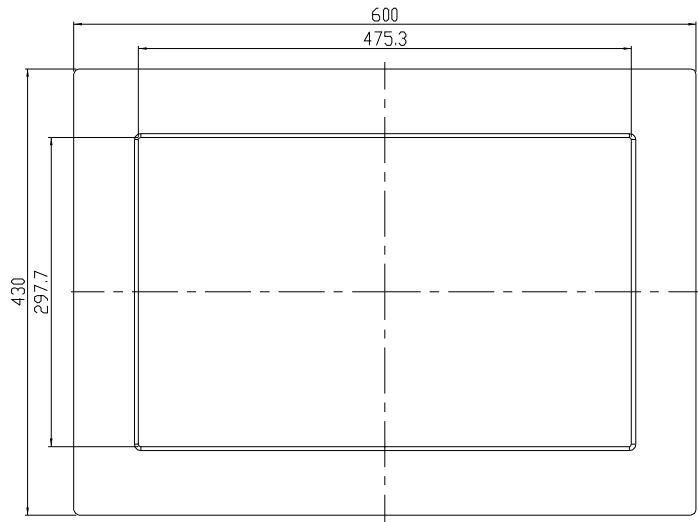
B

C

D



AD/BOARD		MODEL	PM2155				Winsonic Electronics. Co., Ltd.			
INVERTER										
KEY PAD										
PANEL:	VERSION	MATERIAL	METAL	DATE	2013-Mar-04	PART NAME	ASSEMBLY			
	D					DRAWN	Jack	SCALE	0.700	
						APPROVED			UNIT	MM



AD/BOARD		MODEL	PM2205			泓瑜科技有限公司 WINSONIC TECH. CO., LTD.				
INVERTER										
KEY PAD										
PANEL:	VERSION	MATERIAL	METAL	DATE	2012-Feb-14	PART NAME	ASSEMBLY			
	D					APPROVED	DRAWN	Chris	SCALE	0.400
								UNIT	MM	

1

2

3

4

5

1 2 3 4 5

A

B

C

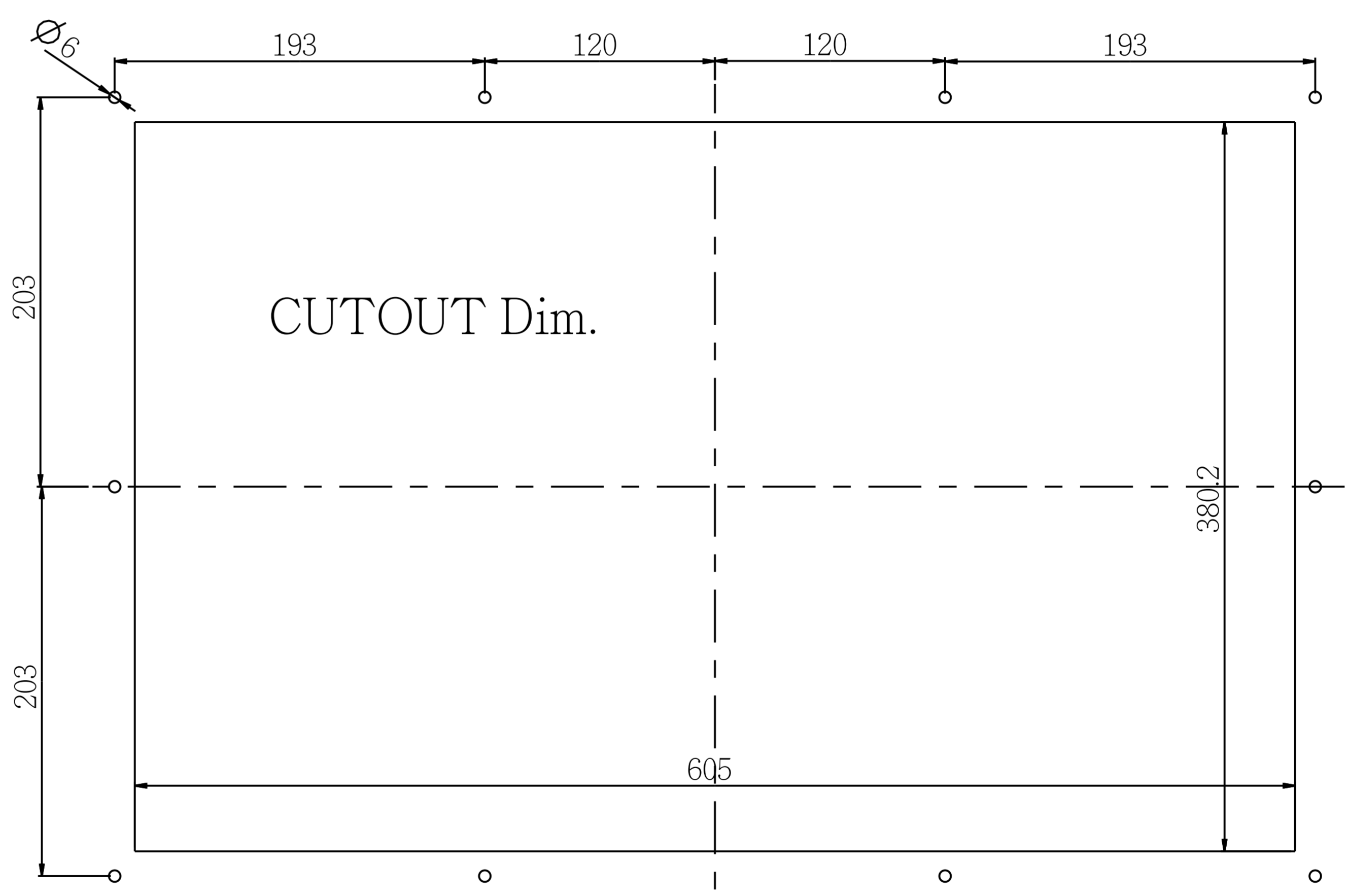
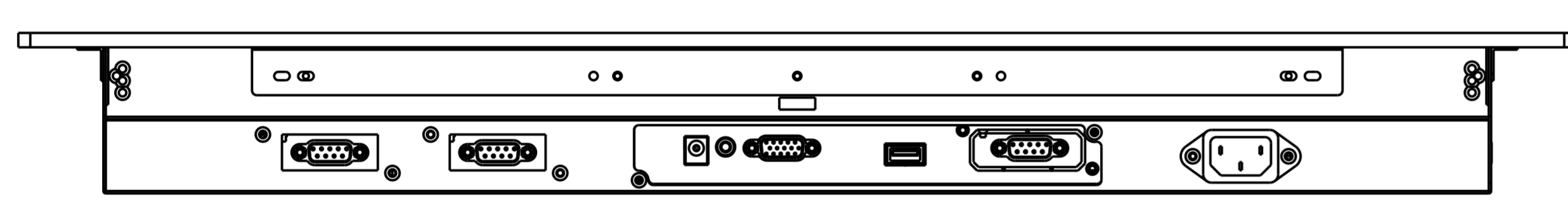
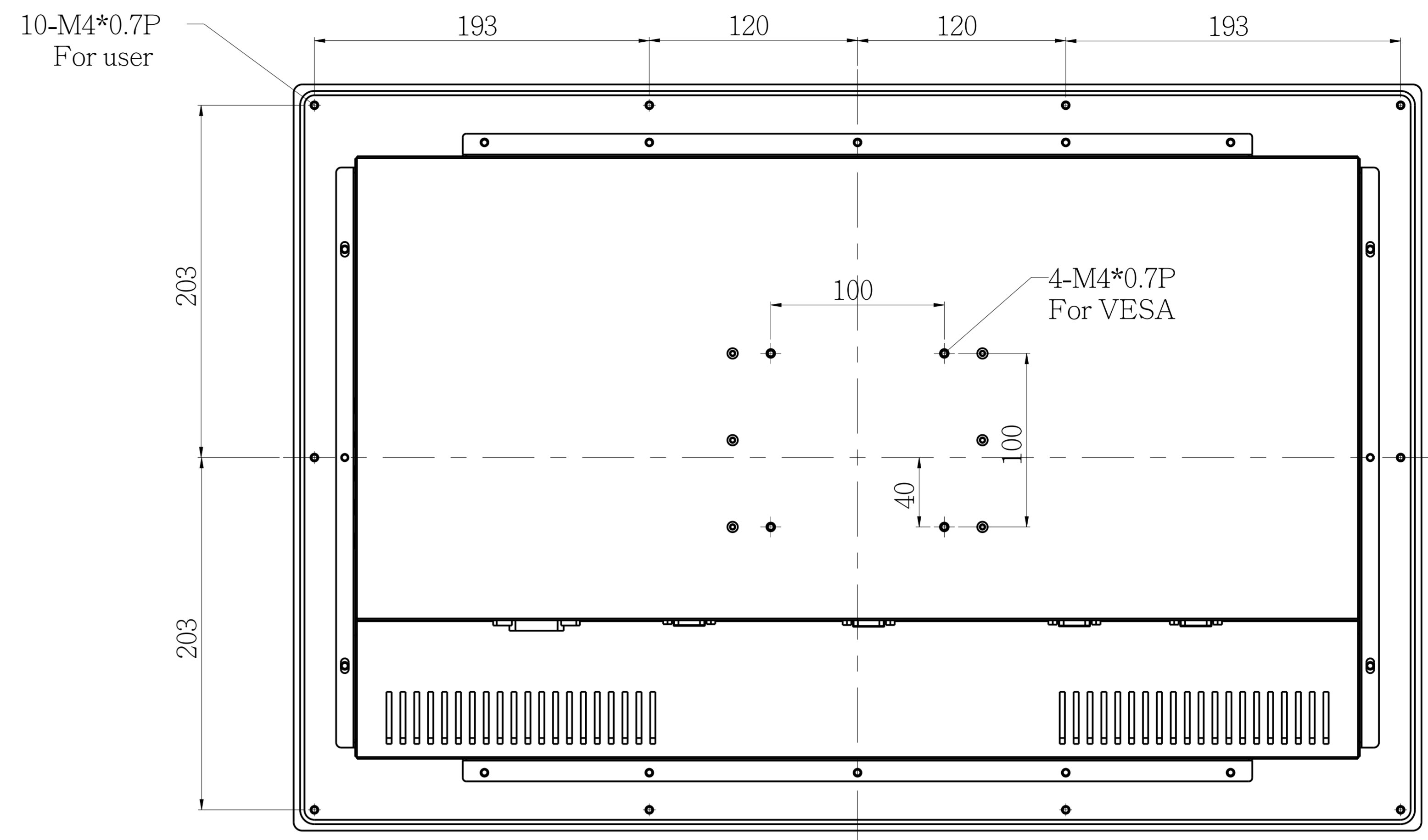
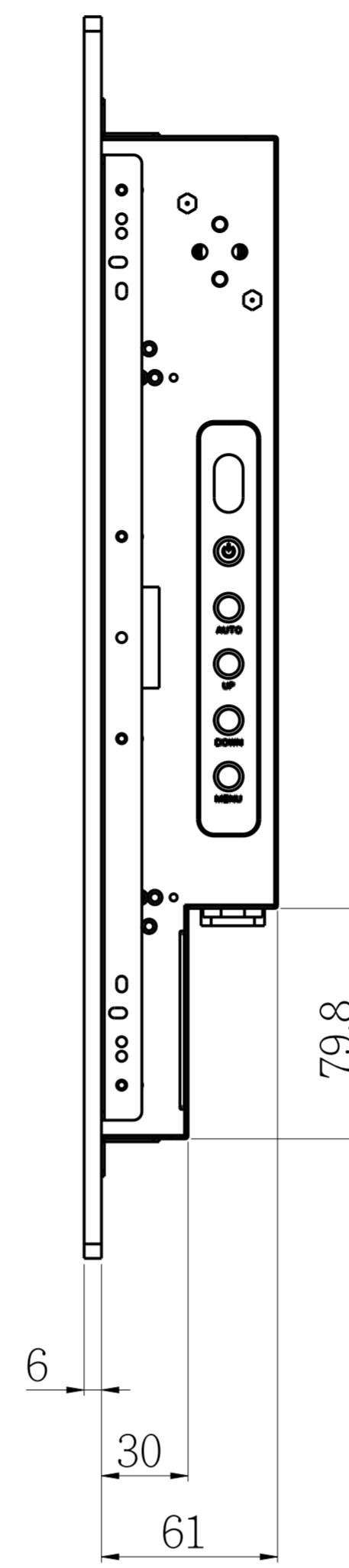
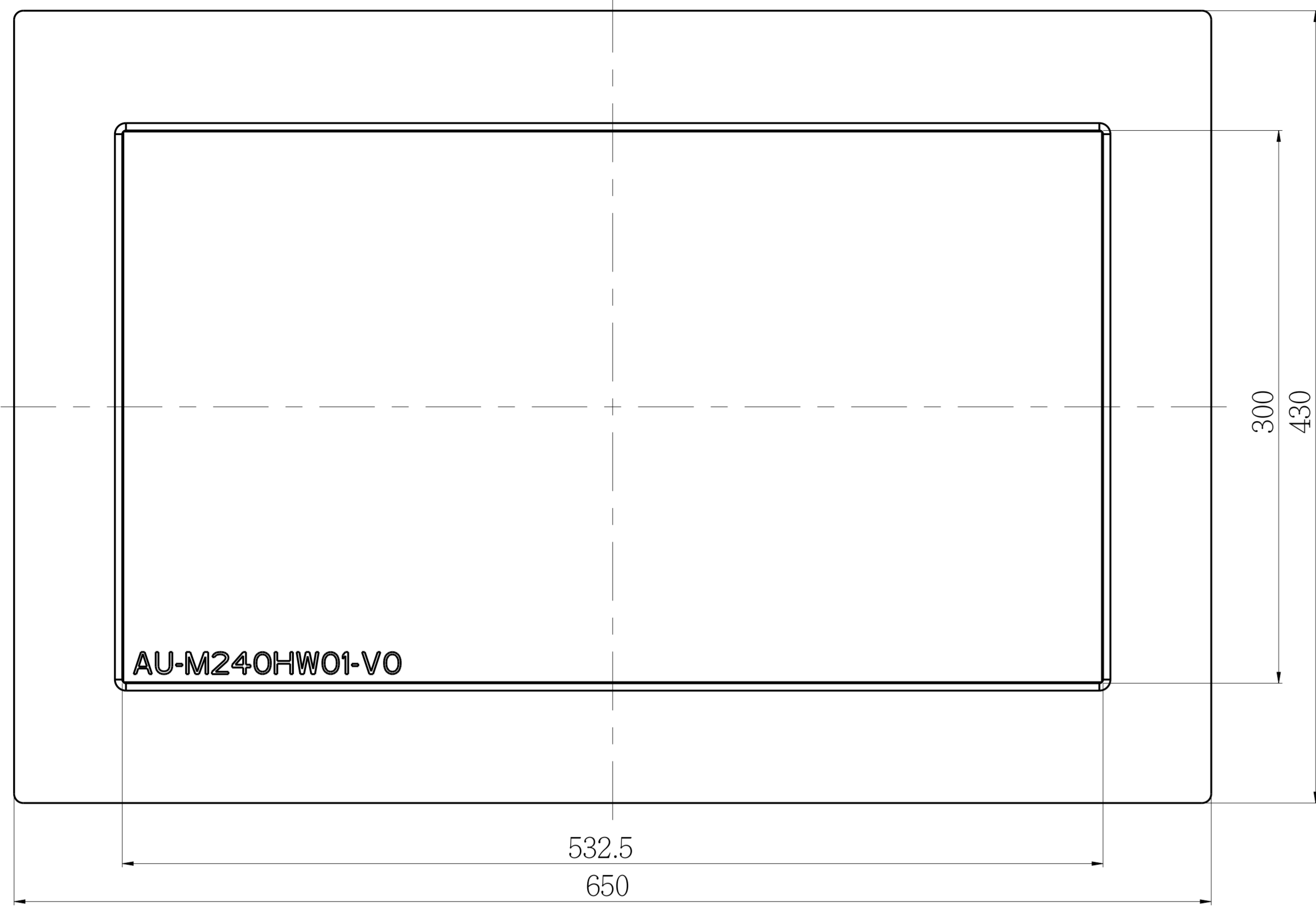
D

A

B

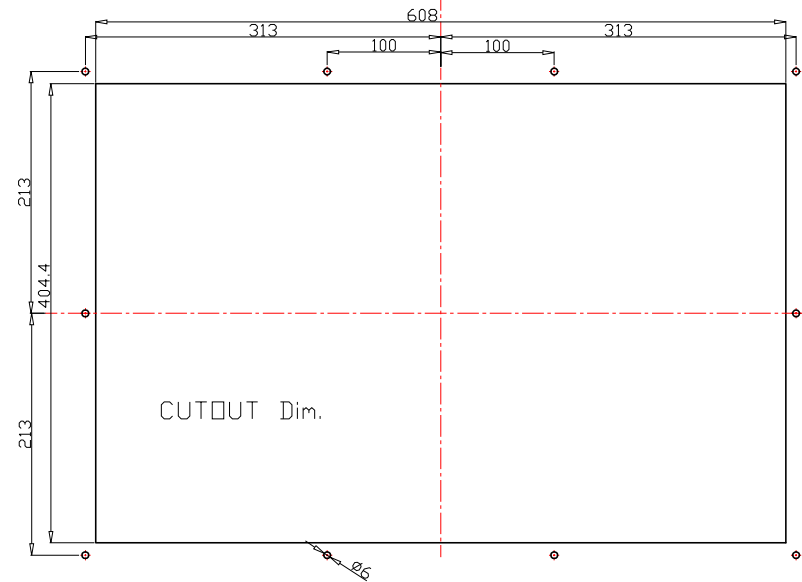
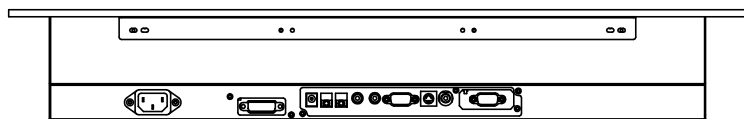
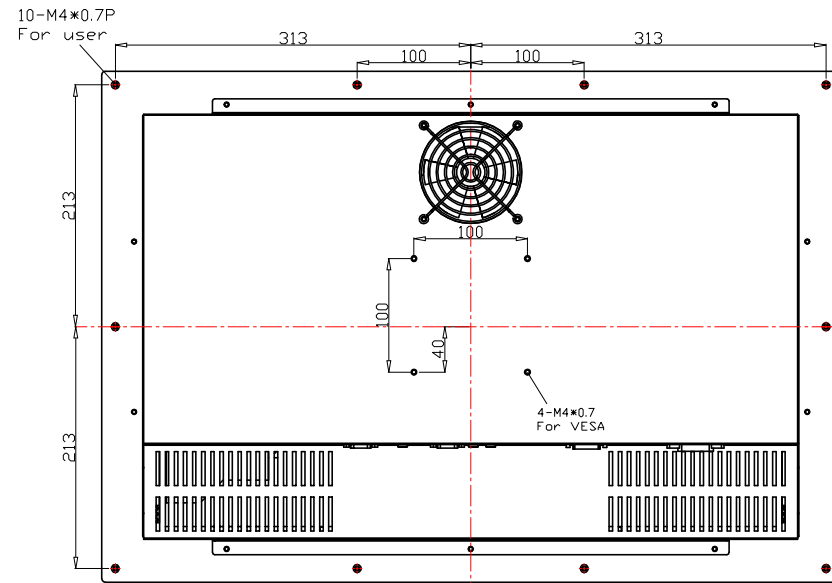
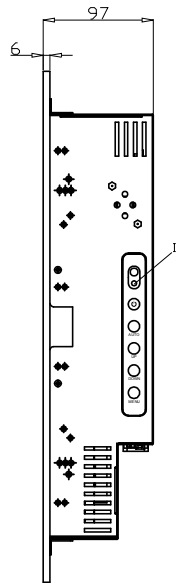
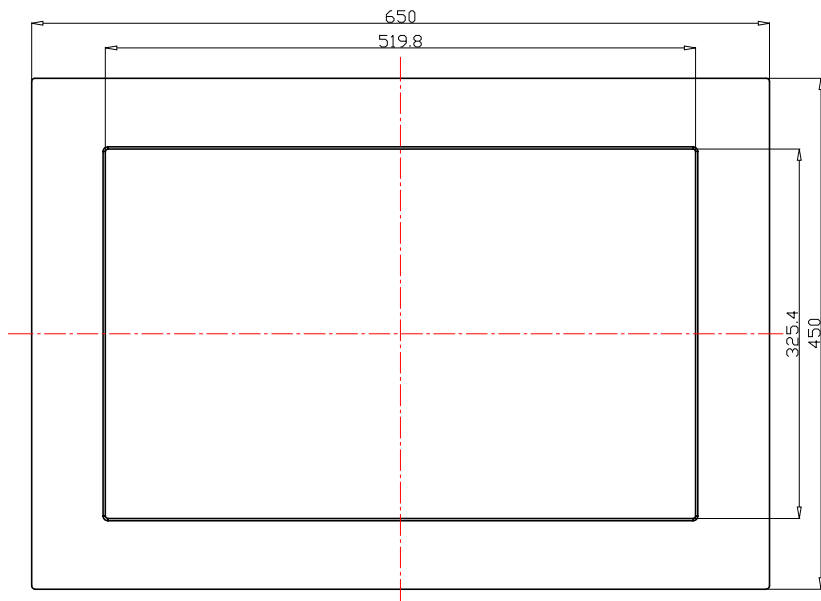
C

D



AD/BOARD		MODEL	IPM2405 / PM2405		泓瑜科技有限公司 WINSONIC TECH. CO., LTD.				
INVERTER		PART NO.							PART NAME
KEY PAD		MATERIAL	METAL	DATE	2012-Jun-26	APPROVED	DRAWN	Jack	SCALE 0.500
PANEL:									UNIT MM

1 2 3 4 5



AD/BOARD		MODEL	PM2415			泓瑜科技有限公司 WINSONIC TECH. CO., LTD.						
INVERTER											PART NAME	ASSEMBLY
KEY PAD						VERSION	MATERIAL	METAL	DATE	2012-Mar-09	APPROVED	
PANEL:		D										

1

2

3

4

5

A

A

B

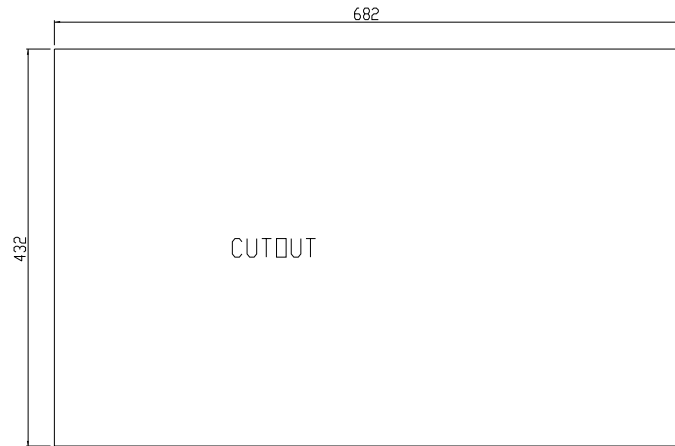
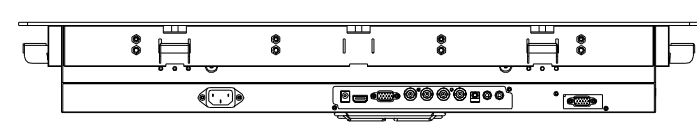
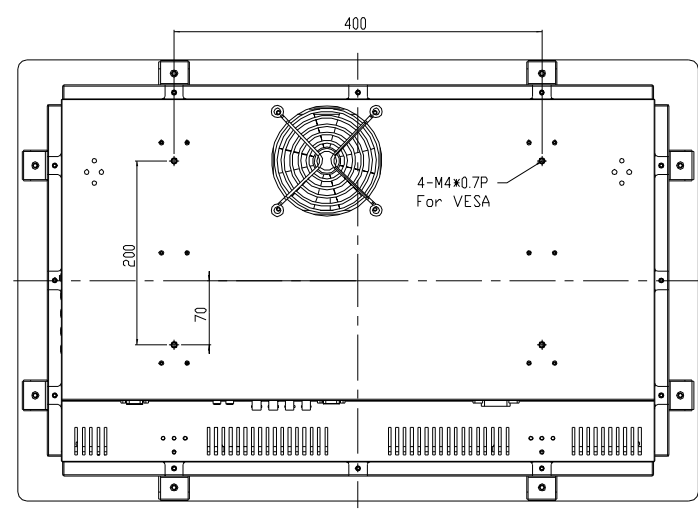
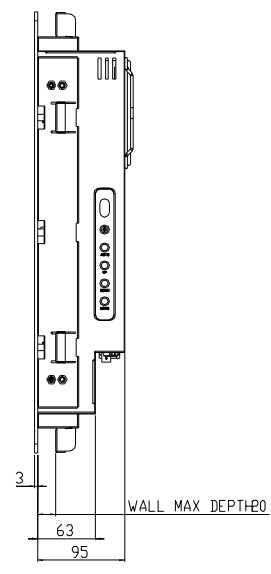
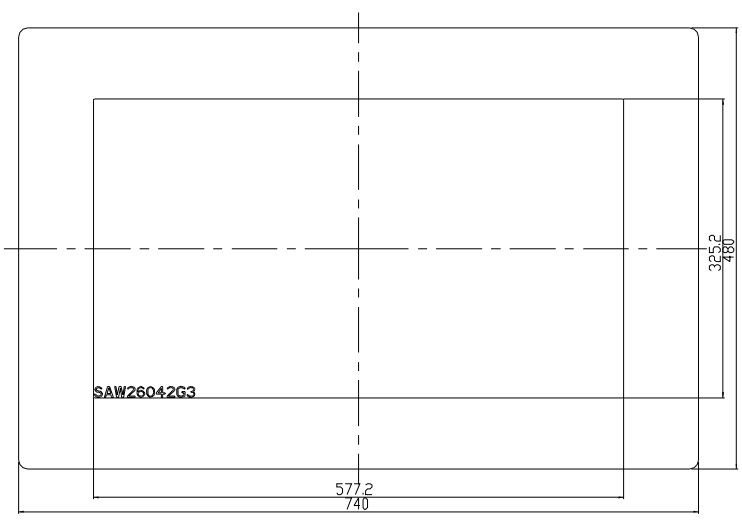
B

C

C

D

D



Clamp mount style

AD/BOARD		MODEL	PM2605 / IPM2605 / SPM2605 / ISPM2605				泓瑜科技有限公司 WINSONIC TECH. CO., LTD.				PART NAME	ASSEMBLY	SCALE	0.500
INVERTER														
KEY PAD														
PANEL:		VERSION	MATERIAL	METAL	DATE	2012-Feb-23	APPROVED	DRAWN	Jack	UNIT	MM			
		V3												

