

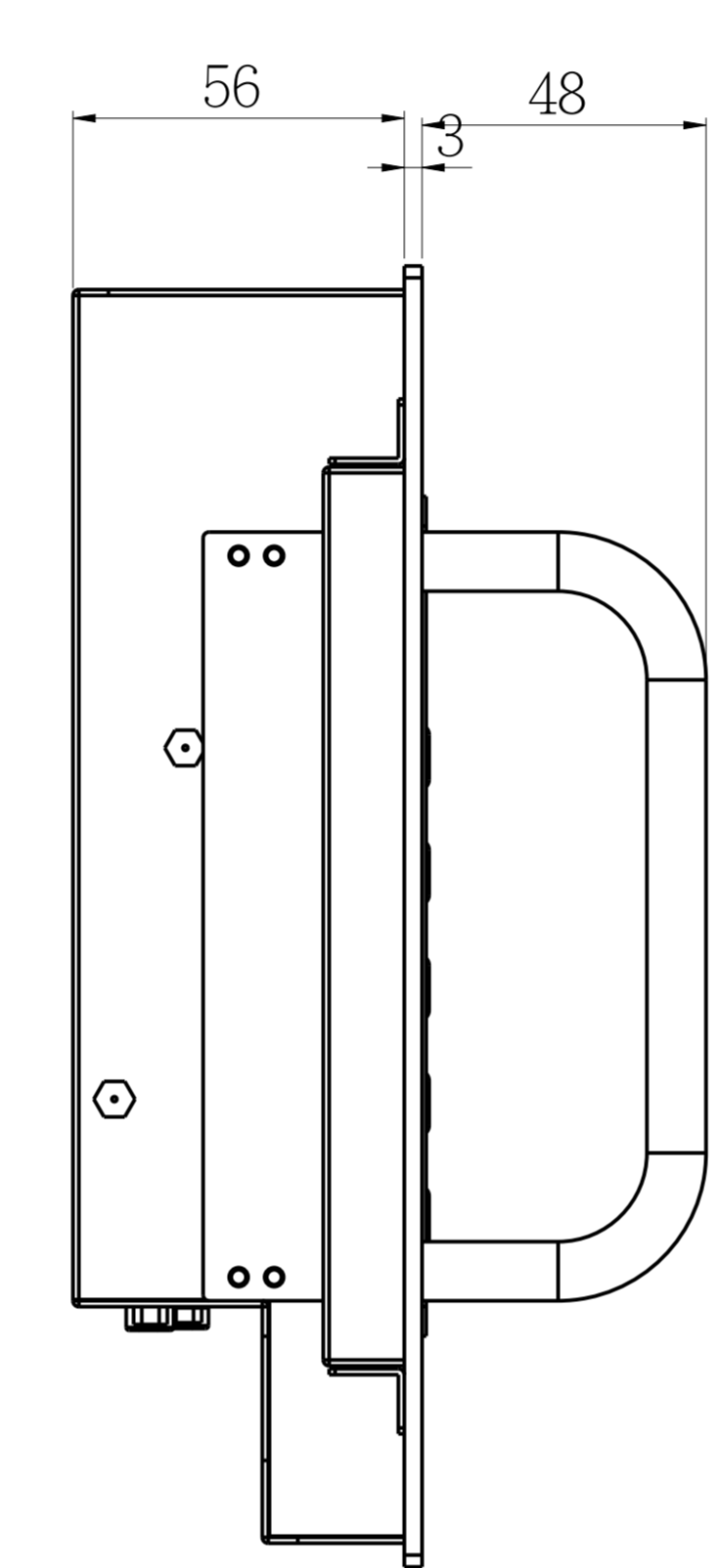
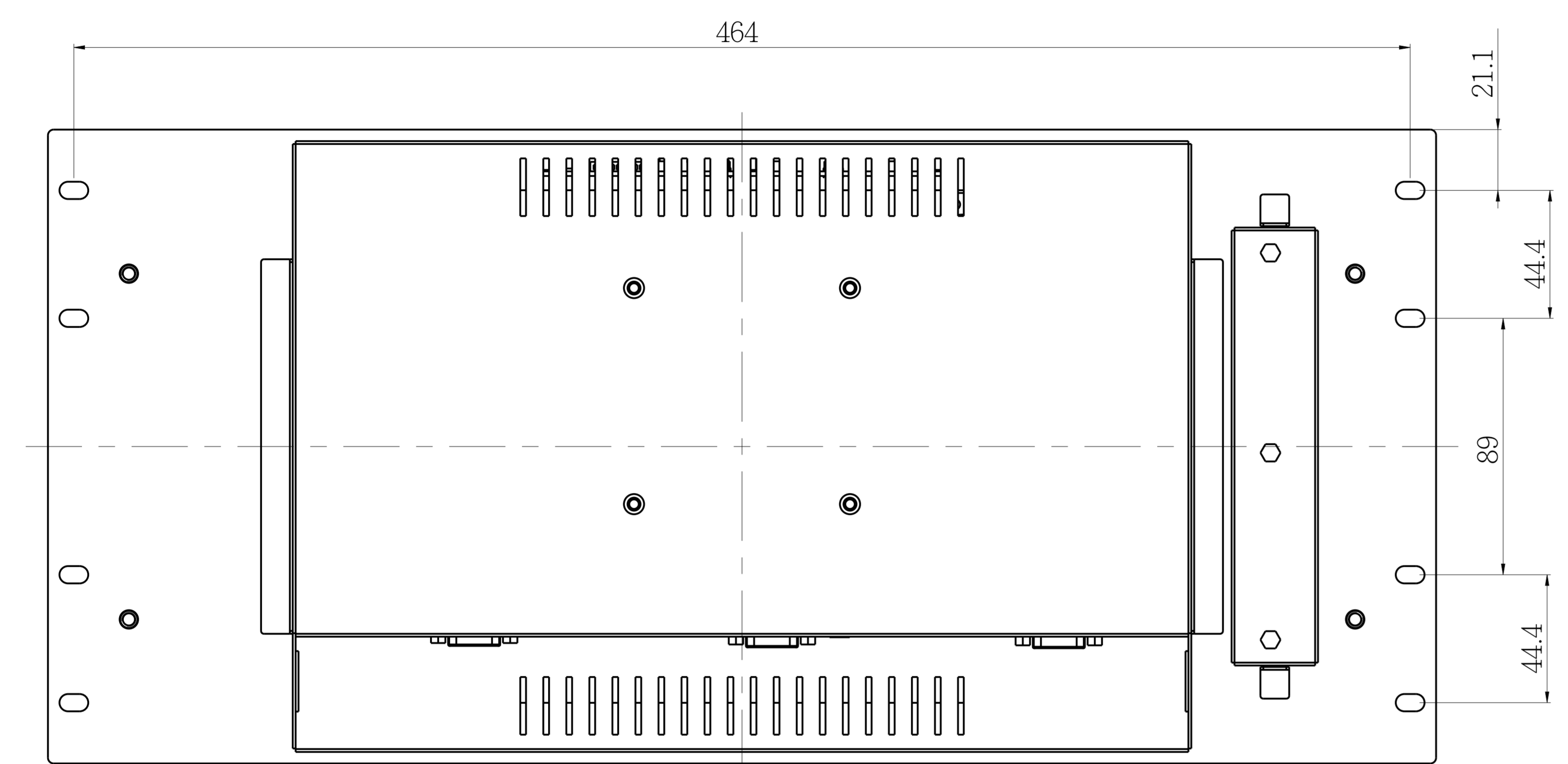
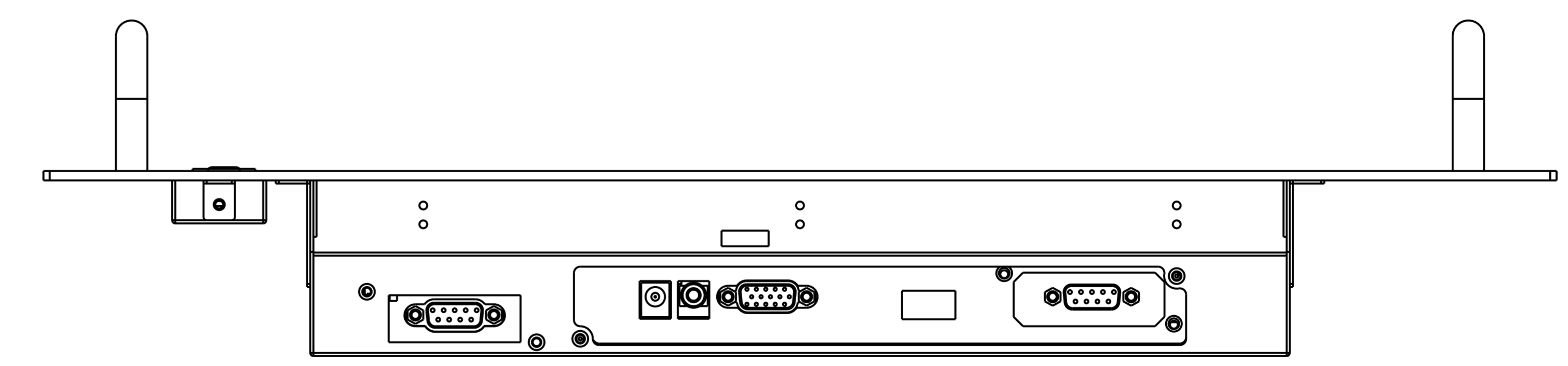
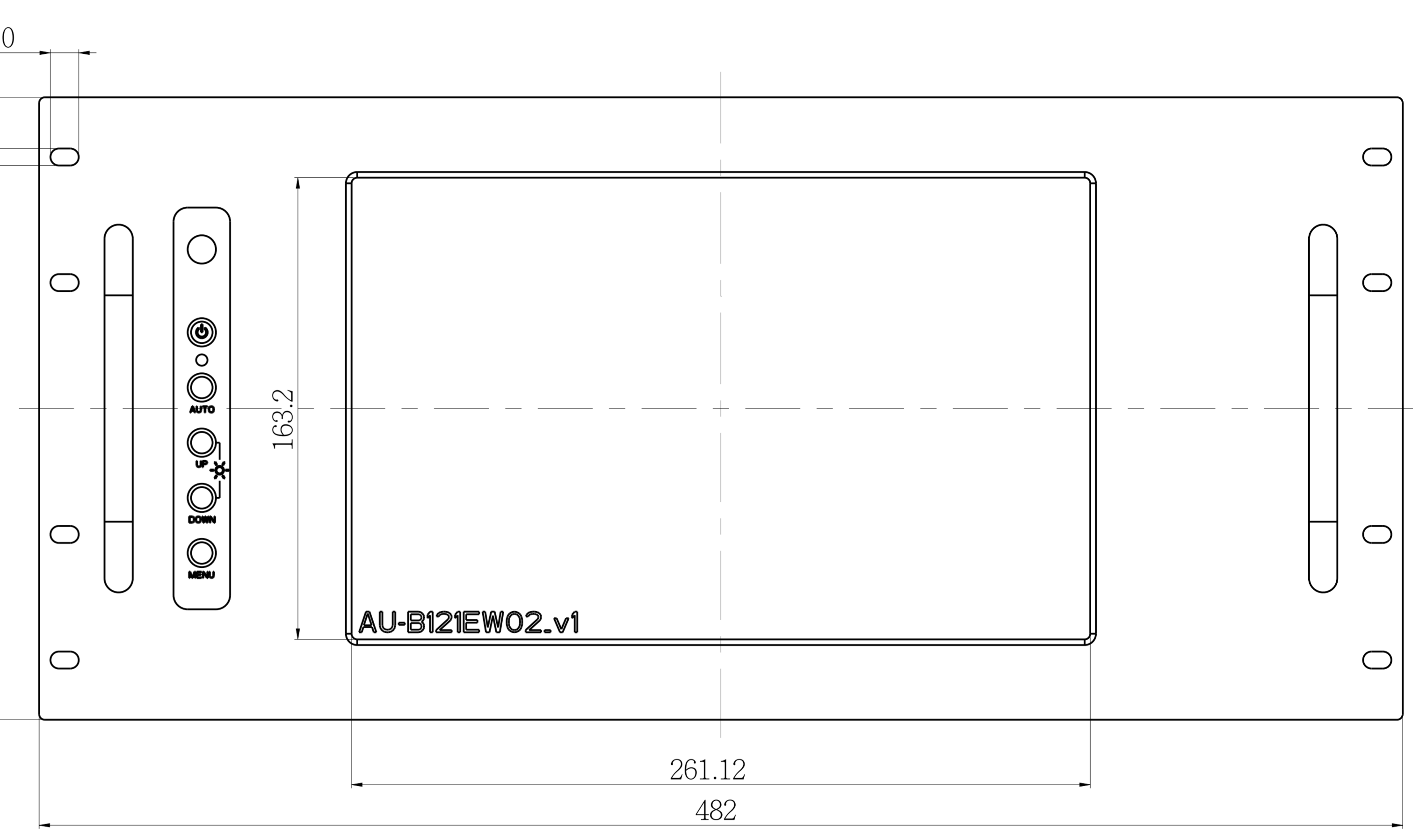
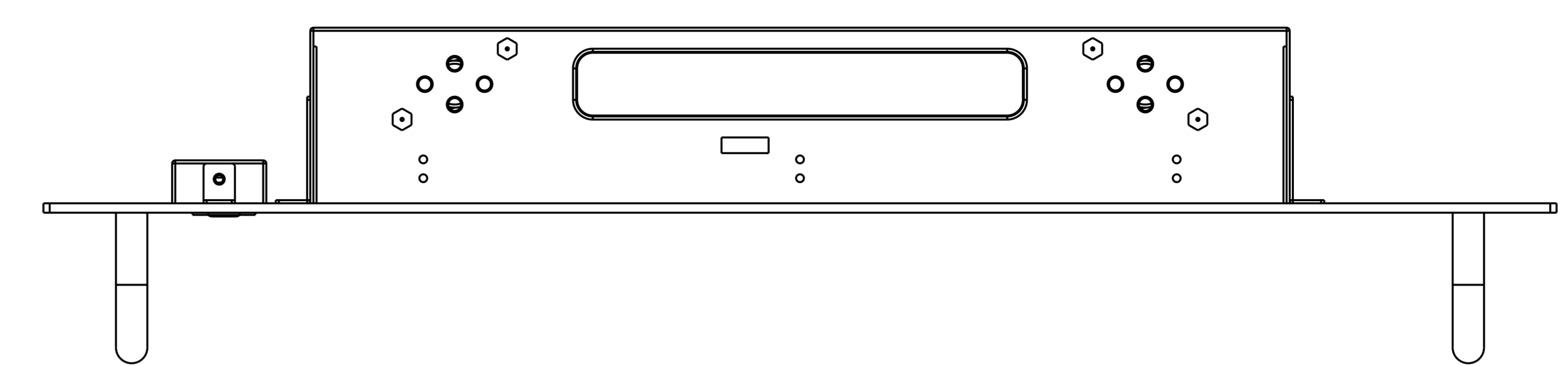
1 2 3 4 5

A A

B B

C C

D D



AD/BOARD		MODEL	RM12W5			Winsonic Electronics. Co., Ltd.				
INVERTER										
KEY PAD										
PANEL:	VERSION	MATERIAL	METAL	DATE	2013-Sep-17	PART NAME	ASSEMBLY			
	V1					APPROVED	DRAWN	Jack	SCALE	0.800
								UNIT	MM	

1 2 3 4 5

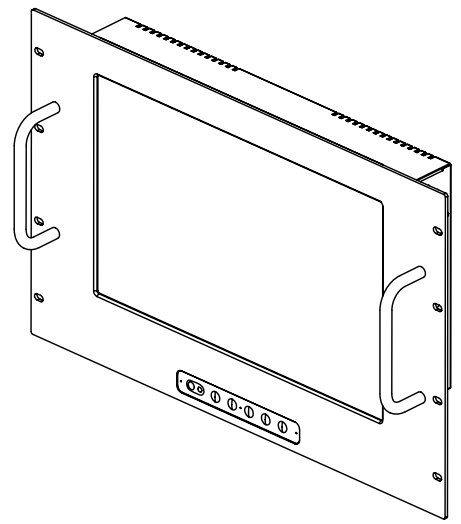
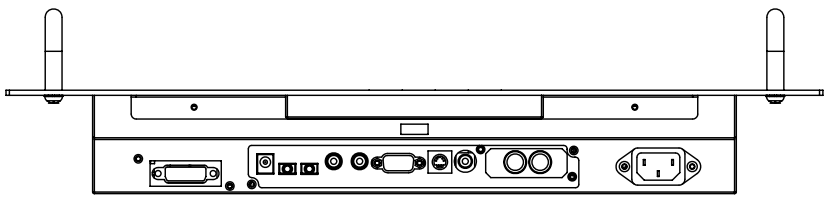
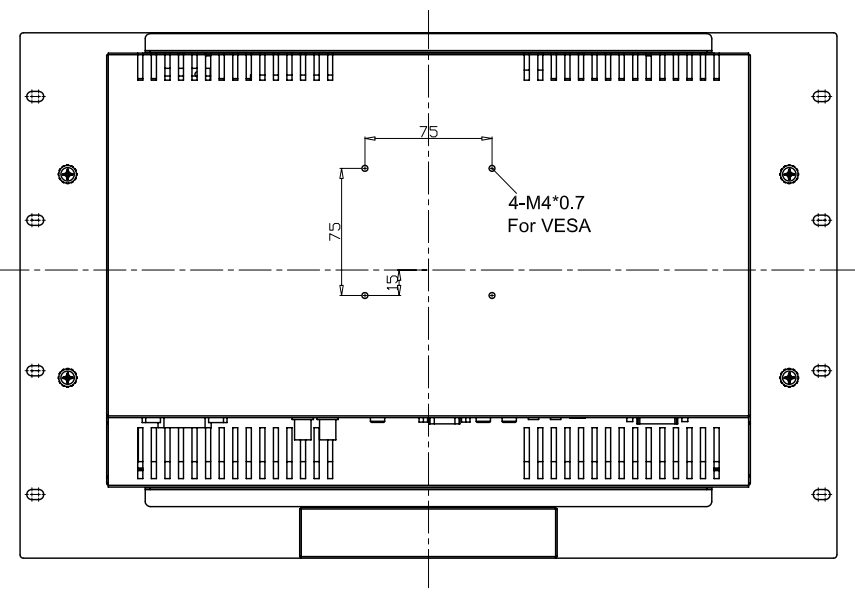
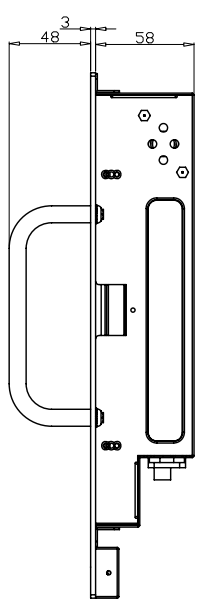
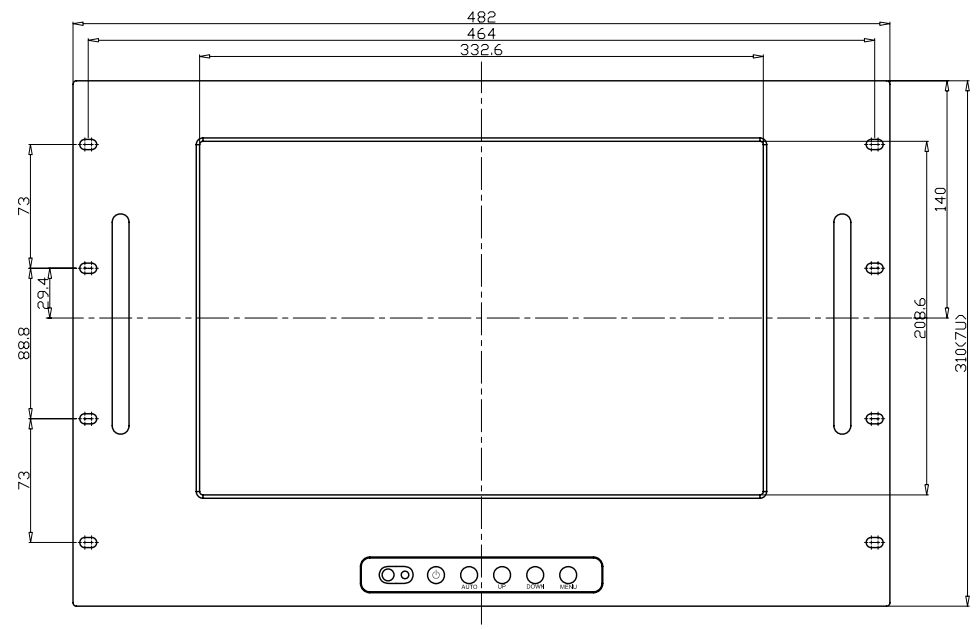
1 2 3 4 5

A

B

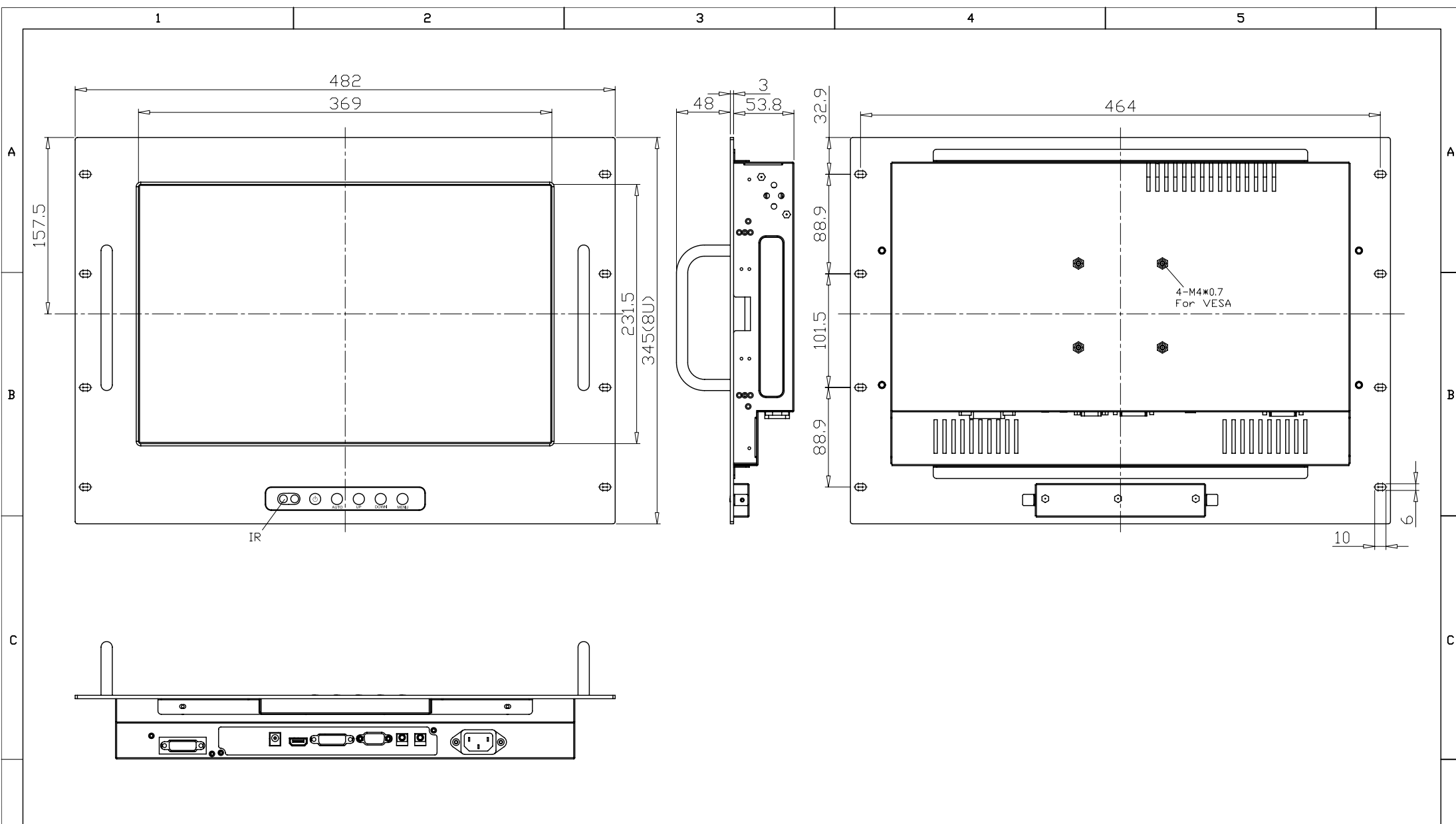
C

D



AD/BOARD		MODEL	RM1545		泓瑜科技有限公司 WINSONIC TECH. CO., LTD.				
INVERTER		PART NO.							PART NAME
KEY PAD		MATERIAL	SECC	DATE	02/04/2009	APPROVED		DRAWN	JACK
PANEL:								REV.	
								DWG	SIZE

1 2 3 4 5



AD/BOARD		MODEL	RM17W5		泓瑜科技有限公司 WINSONIC TECH. CO., LTD.					
INVERTER										
KEY PAD		PART NO.			PART NAME		Assembly			
PANEL: AU-B170PW07					DATE		APPROVED			DRAWN JACK
		MATERIAL			2010-03-12				UNIT	MM
1		2		3		4		5		