

AD/BOARD		MODEL			泓瑜科技有限公司 WINSONIC TECH. CO., LTD.													
INVERTER										RM1045			PART NAME		ASSEMBLY			
KEY PAD													VERSION		DATE		APPROVED	DRAWN
PANEL:		V1	MATERIAL	METAL	DATE	2012-May-17	APPROVED	DRAWN	Chris	UNIT	MM							

1

2

3

4

5

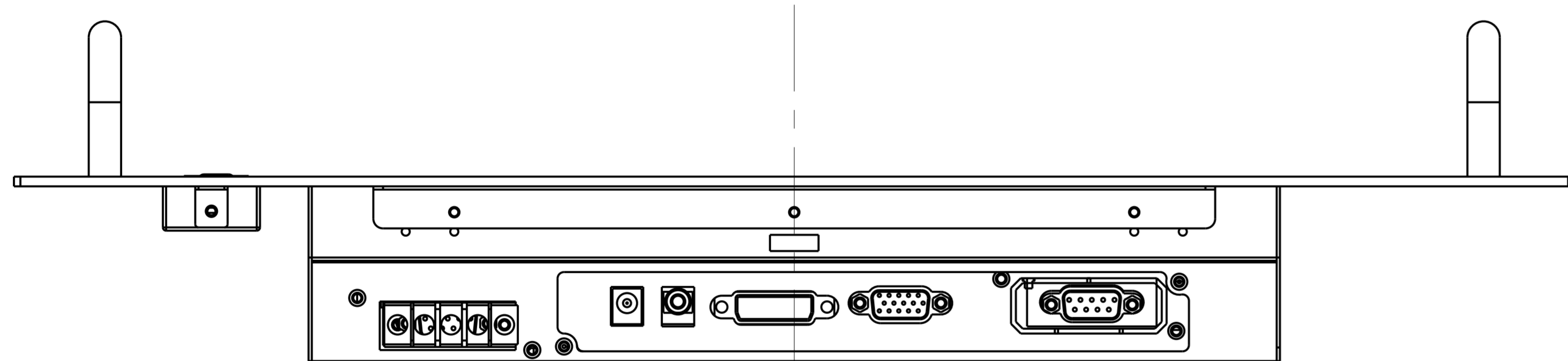
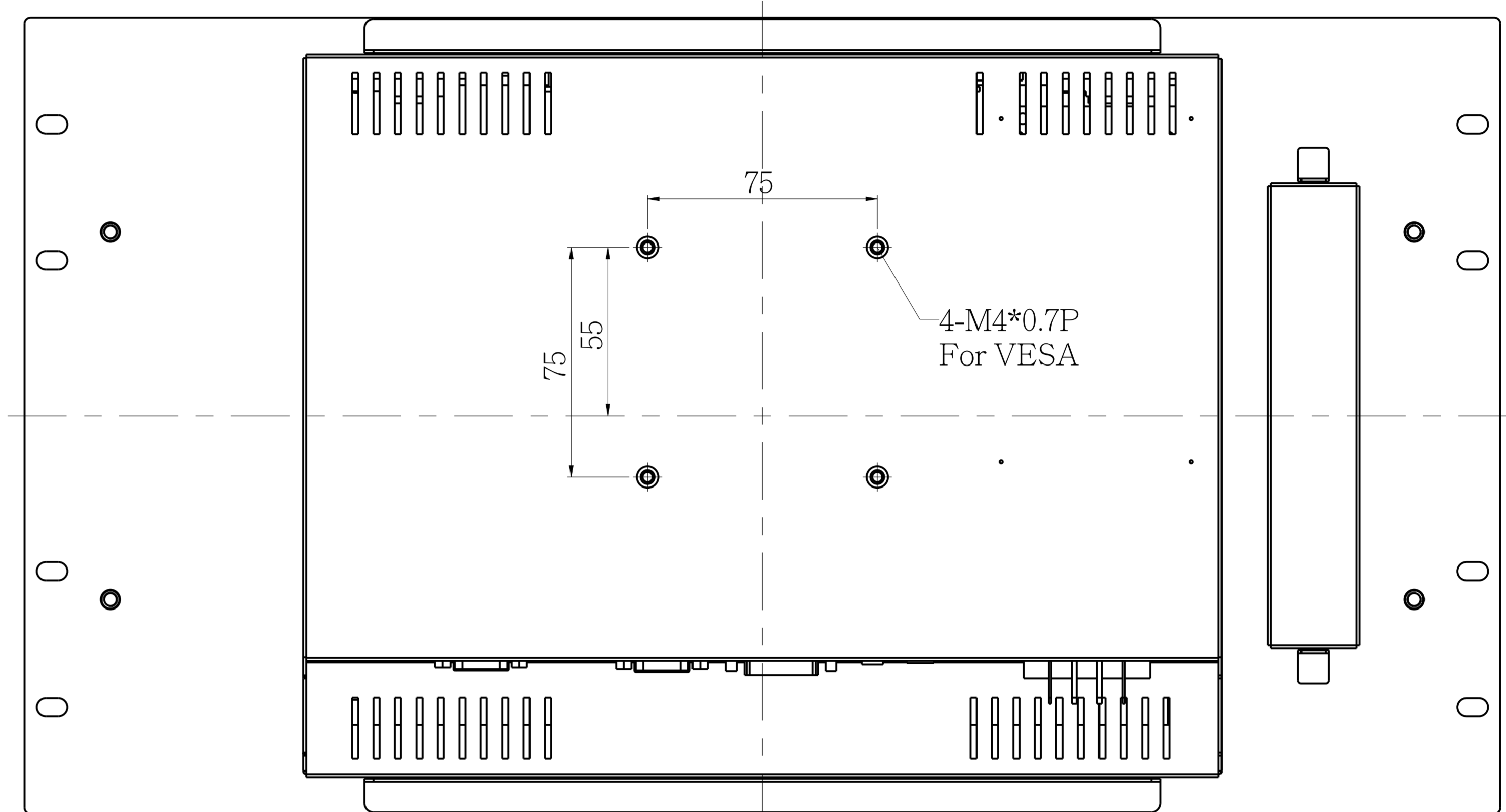
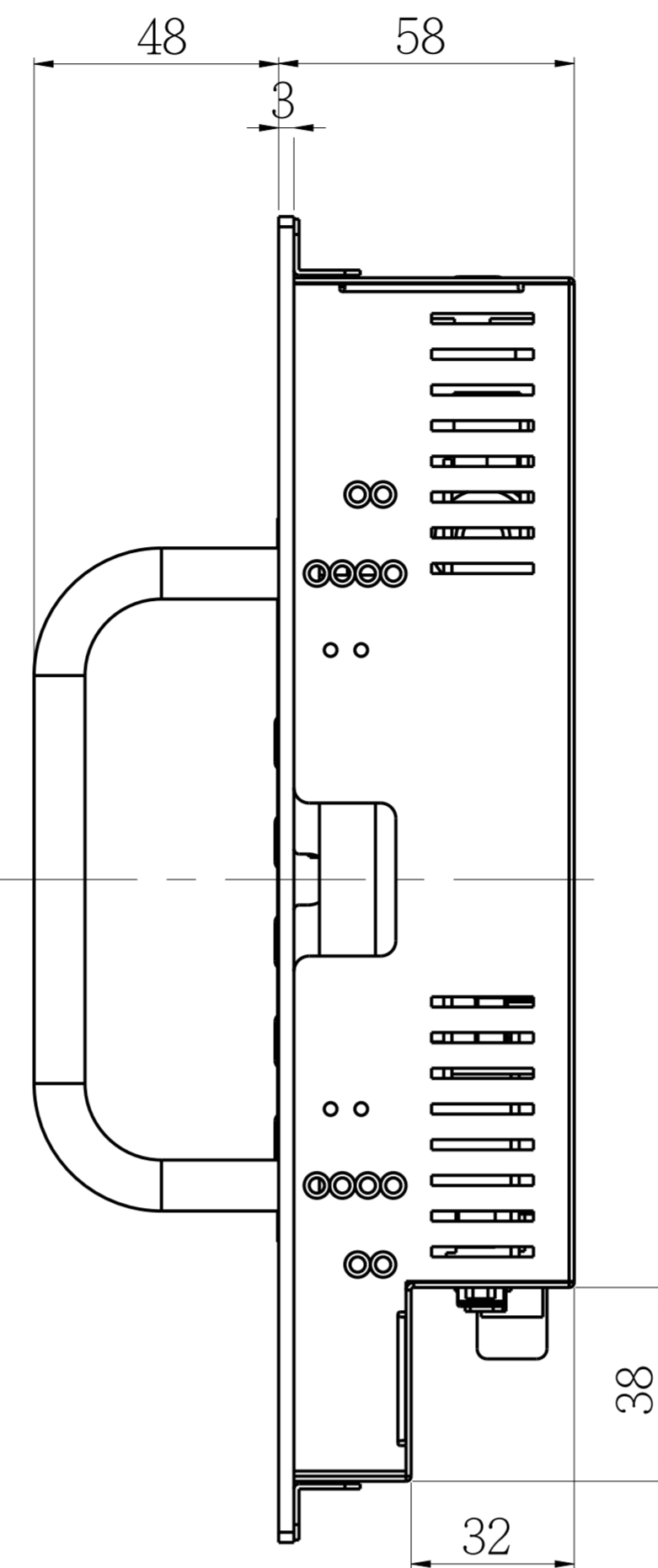
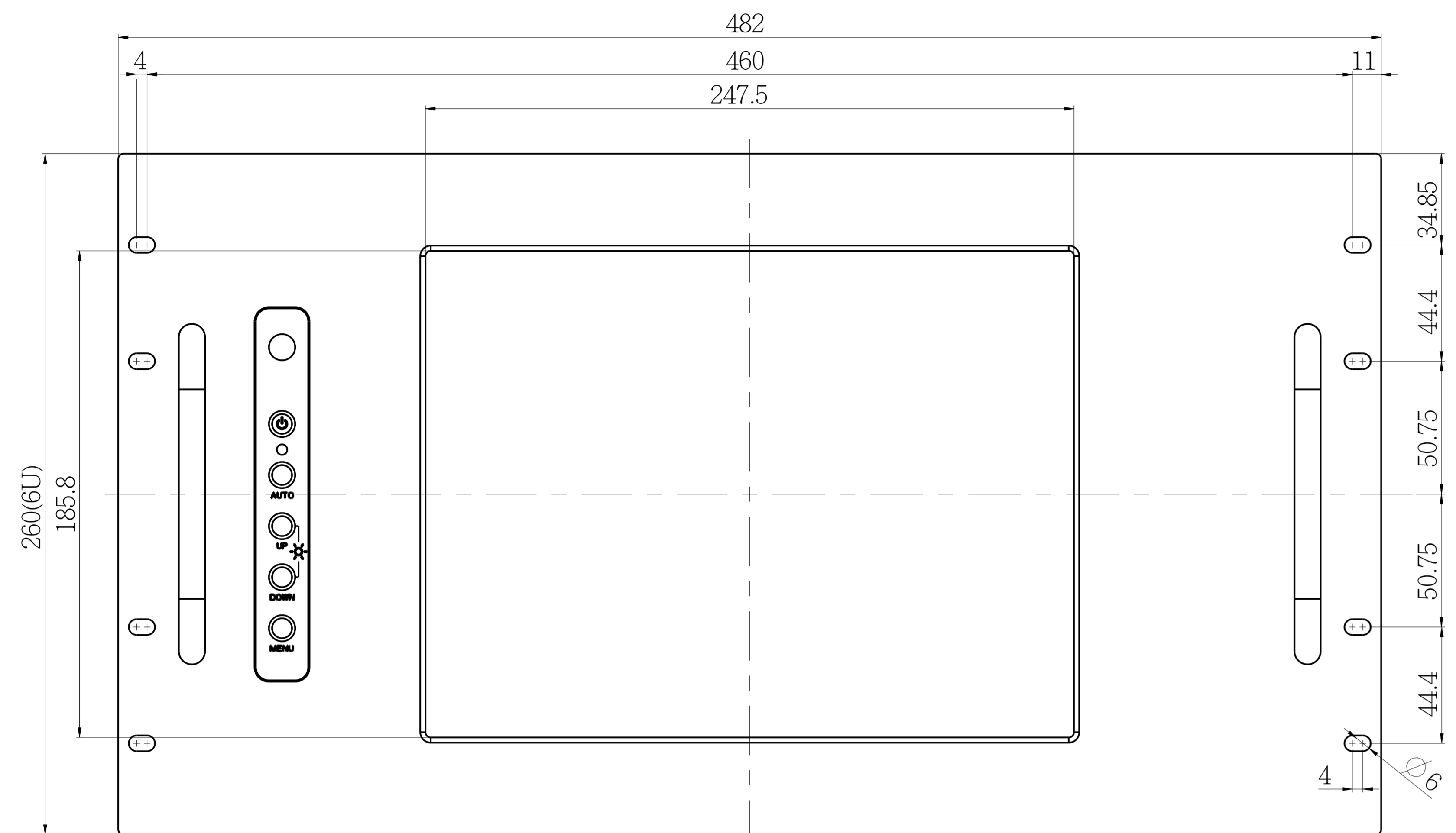
1 2 3 4 5

A A

B B

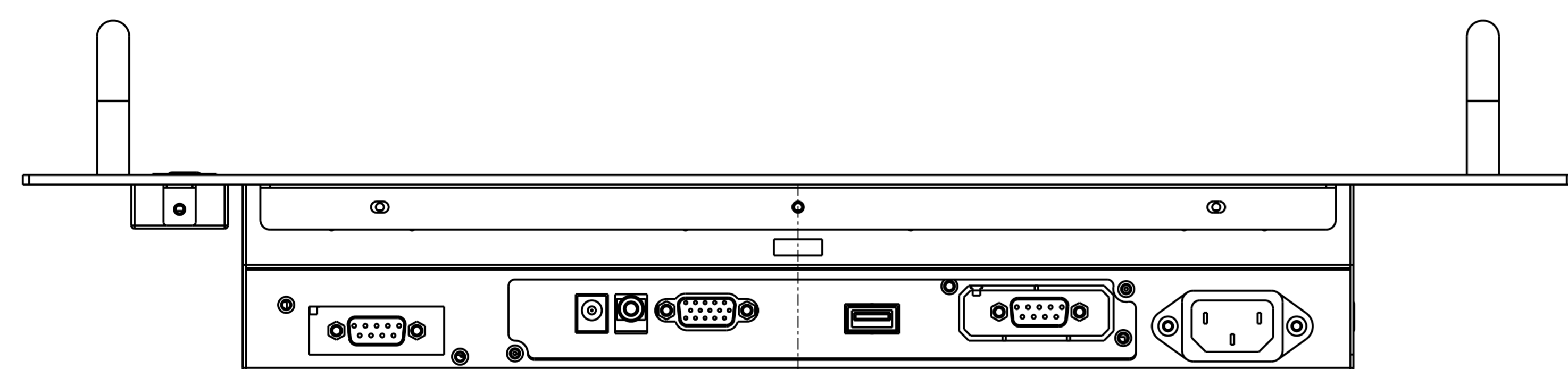
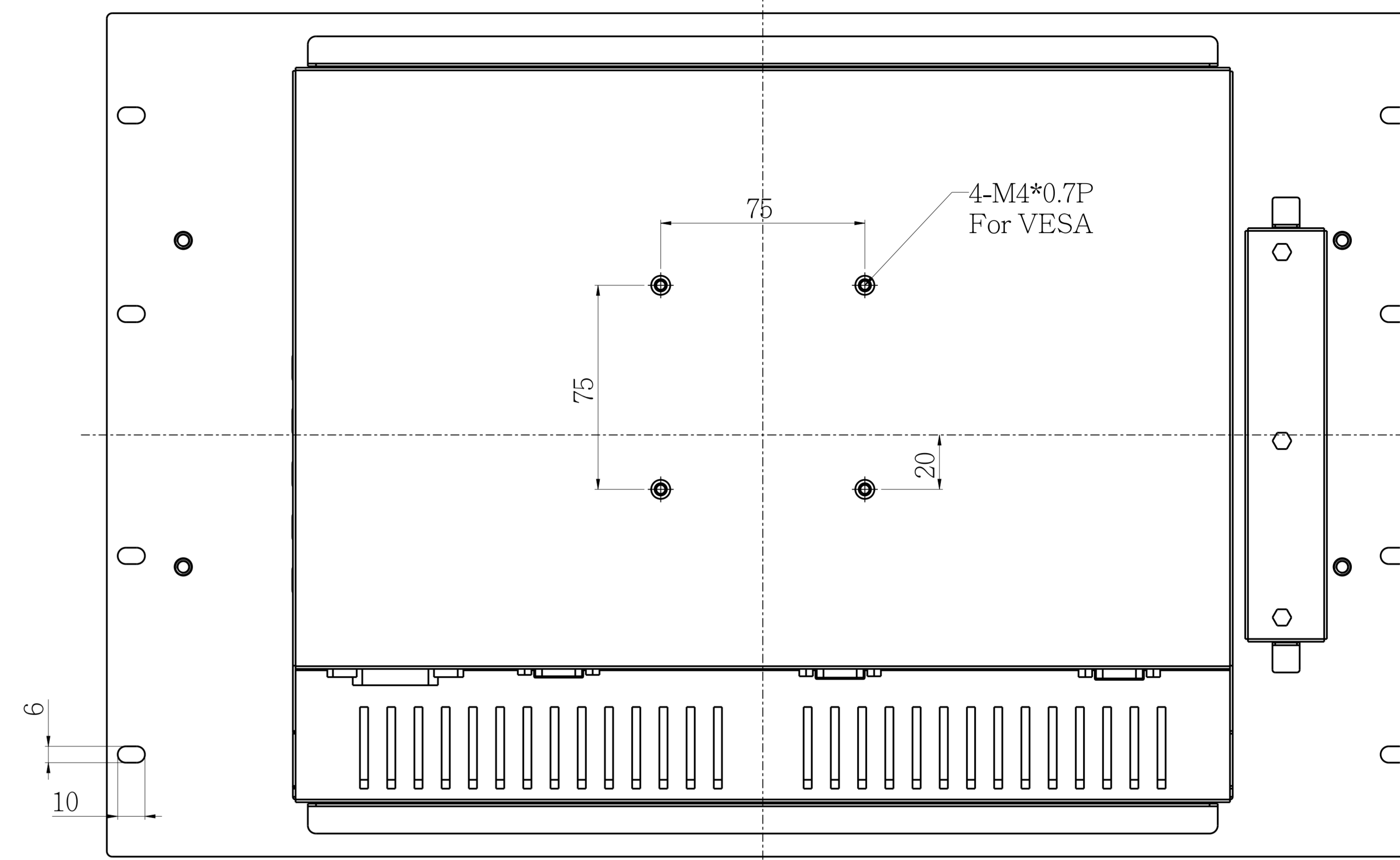
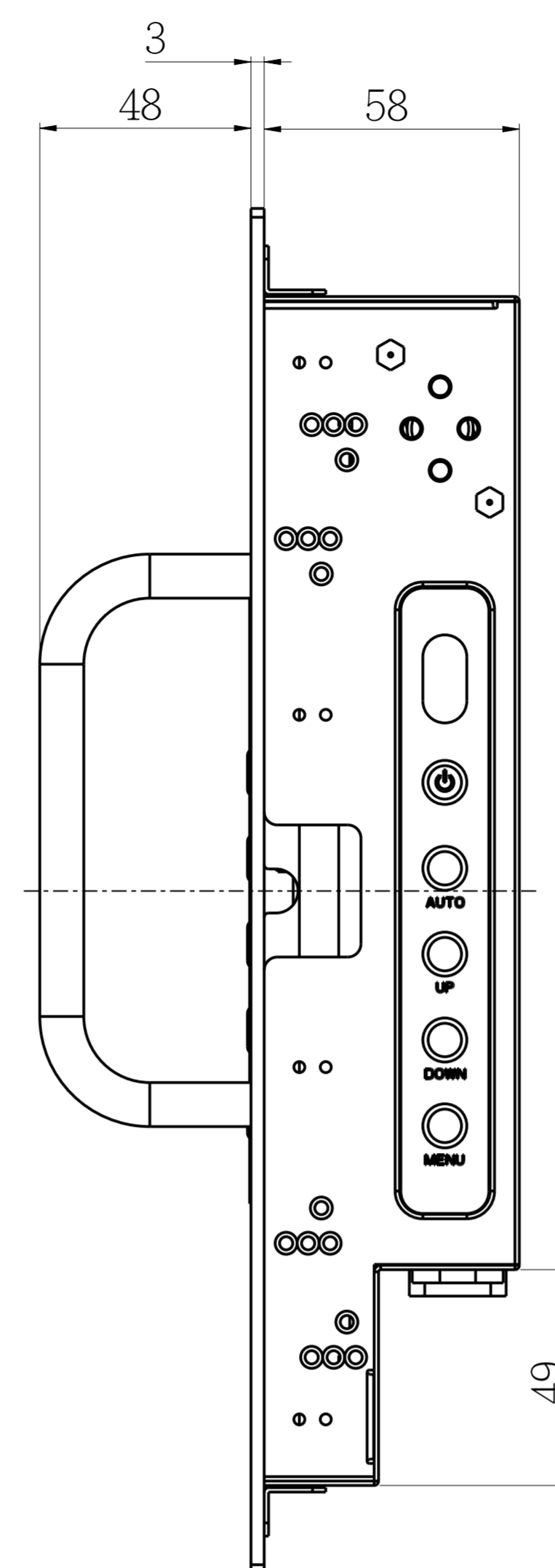
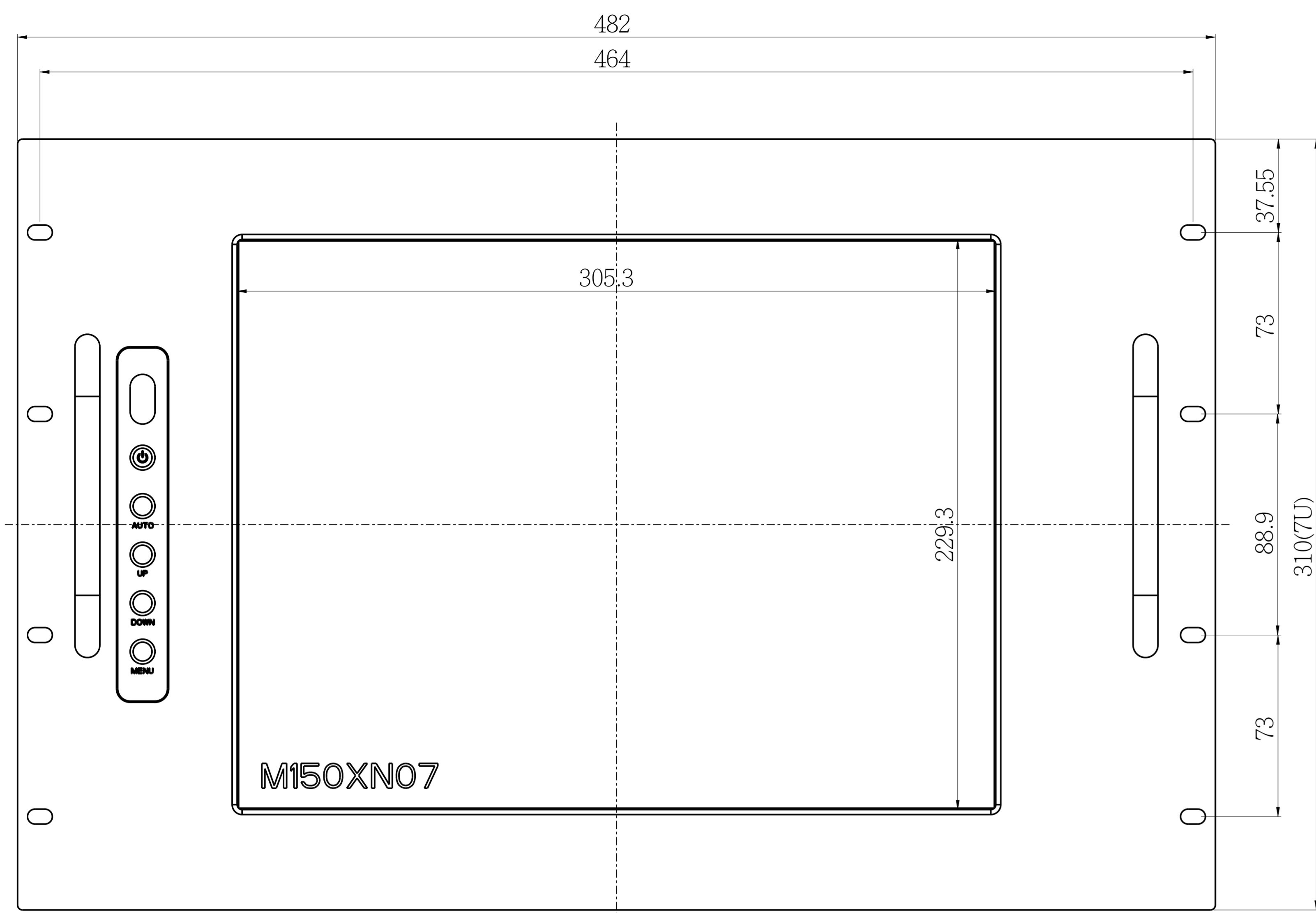
C C

D D



AD/BOARD		MODEL	RM1205				泓瑜科技有限公司 WINSONIC TECH. CO., LTD.				
INVERTER											
KEY PAD											
PANEL:	VERSION	MATERIAL	METAL	DATE	2012-May-17	PART NAME	ASSEMBLY				
	V1					APPROVED	DRAWN	Chris	SCALE	0.800	
										UNIT	MM

1 2 3 4 5



AD/BOARD		MODEL			泓瑜科技有限公司 WINSONIC TECH. CO., LTD.												
INVERTER										RM1505			PART NAME		RM1505		
KEY PAD													VERSION		APPROVED		DRAWN
PANEL:		V1	MATERIAL	METAL	DATE	2012-Mar-01			UNIT	MM							

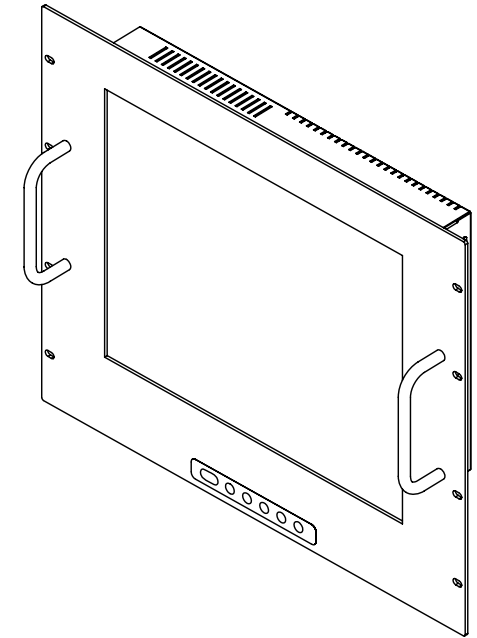
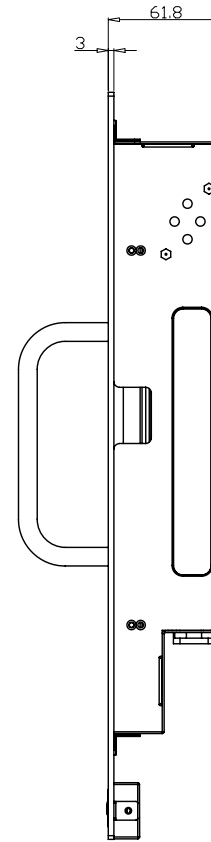
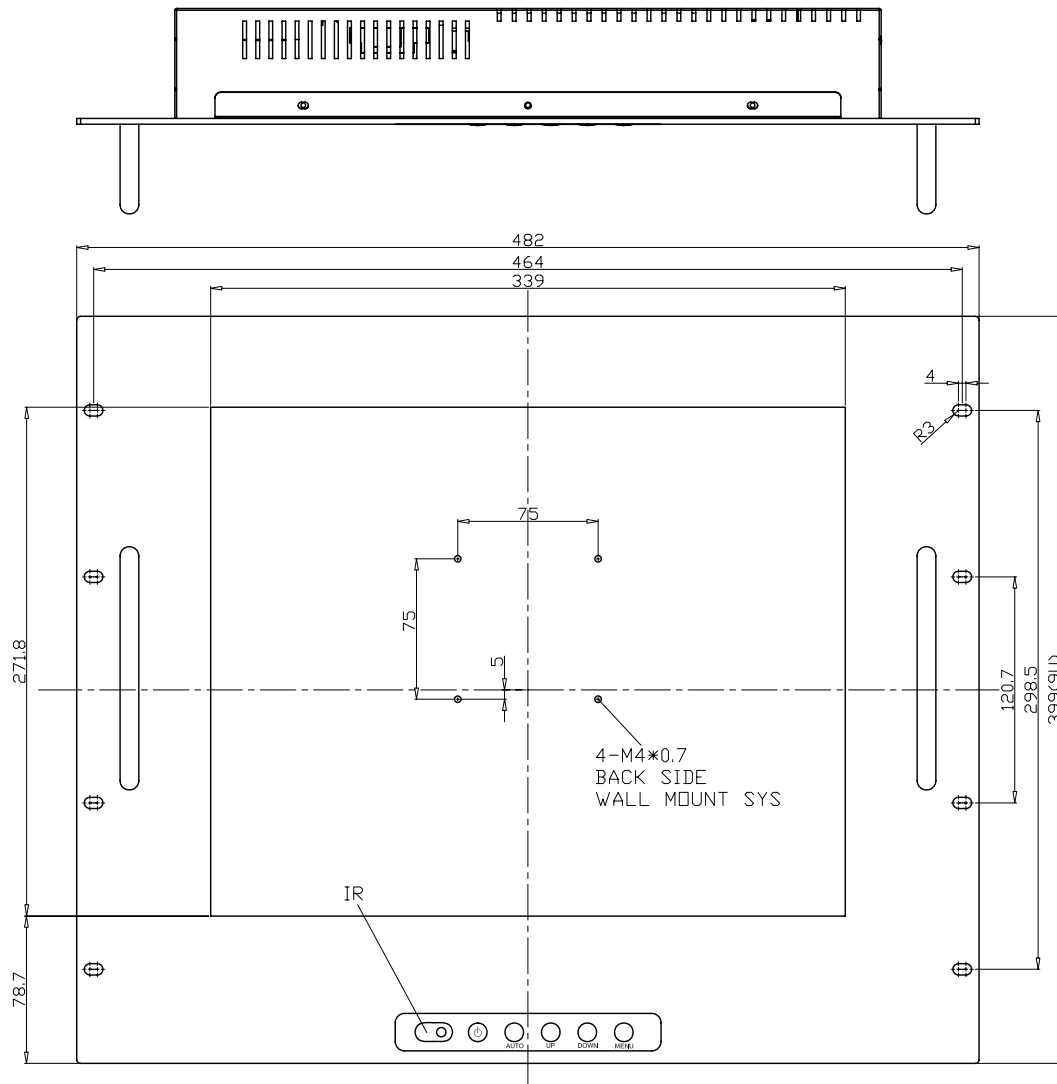
1

2

3

4

5

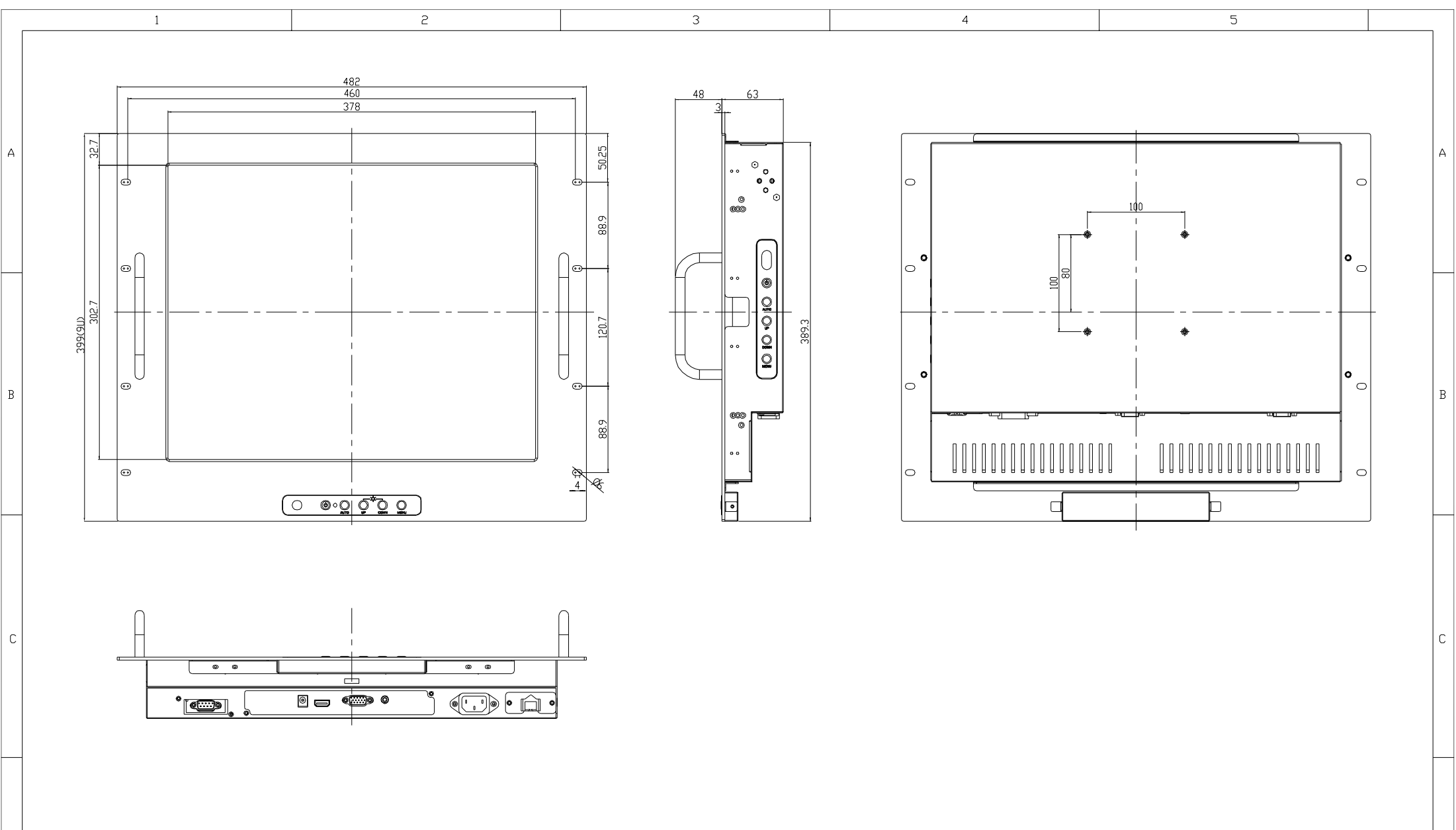


P.S:1.前殼、後殼與後蓋組合鎖附後一起烤漆。
2.表面黑織紋烤漆。

AD/BOARD	2023L/2023-9906/2523TTL/2523BVL
INVERTER	TIP017WS-01
KEY PAD	PCBKEY019A0
PANEL:	
	AU-M170EG01 V9 PS v0.1 20050301

MODEL	RM1705		
PART NO.			
MATERIAL	SECC	DATE	09/21/2007

泓瑜科技有限公司 WINSONIC TECH. CO., LTD.			
PART NAME	ASSEMBLY		
APPROVED		DRAWN	JACK
SCALE	1:1	UNIT	MM



AD/BOARD		MODEL	RM1905			泓瑜科技有限公司 WINSONIC TECH. CO., LTD.							
INVERTER						MATERIAL	METAL	DATE	2012-Feb-14	PART NAME	ASSEMBLY		
KEY PAD										APPROVED	DRAWN	Chris	SCALE
PANEL:		VERSION							UNIT	MM			
		V1											